

DESCRIPTION

The H99RTAT is a small aperture Non-IC AIR-TITE™ housing for providing accent and task lighting. The H99RTAT is designed for use in non-insulated existing ceilings. Non-IC Housing is AIR-TITE™ but insulation must be kept 3 inches away from all sides of housing. For installation from below the ceiling.

Catalog #	Type
Project	
Comments	
Prepared by	Date

SPECIFICATION FEATURES

Housing

Formed of CRS with powder coat finish.

Remodel Clips

Four remodel clips secure housing and accommodates 1/2" and 5/8" ceiling materials.

Junction Box

- Seven 1/2" trade size conduit knockouts with true pry-out slots.
- Four pryouts with integral strain relief for non-metallic sheathed cable

"Quick Connect" Connectors

Three quick connect wiring connectors included.

Socket

Fixed position porcelain socket with nickel plated brass screw shell provides consistent lamp positioning.

Thermal Protector

Thermal protector deactivates fixture if overheating occurs due to improper lamping or misapplied insulation.

Labels

- UL/cUL Listed 1598 Luminaire
- UL/cUL Damp Location Listed
- UL/cUL Listed for Wet Location, covered ceiling - with select trims
- Certified Under ASTM-E283 for air tight construction
- IP rated (Improper Lamp)

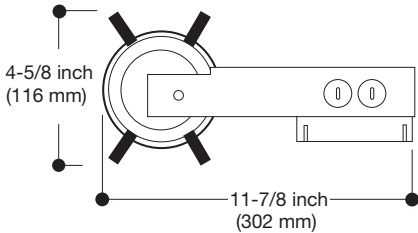
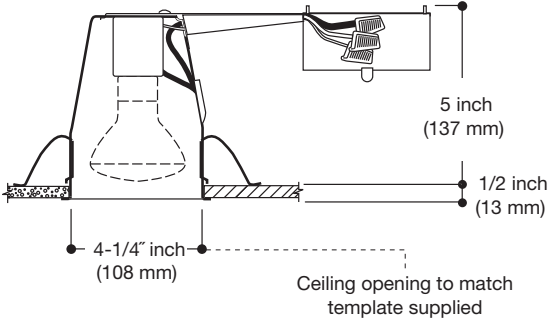


H99RTAT

4" Non-Insulated Ceiling AIR-TITE™ Recessed Remodel Housing

4" TRIMS

FOR USE IN NONINSULATED CEILINGS OR INSULATED CEILINGS WHERE INSULATION CAN BE KEPT 3" FROM ALL SIDES OF FIXTURE FOR USE IN EXISTING CEILINGS



TRIMS

ORDERING INFORMATION

SAMPLE NUMBER: H99RTAT-999P

Order housing and trims separately.

Housing

Trims

H99RTAT=4" Non-Insulated Ceiling
Small Aperture AIR-TITE
Remodel Housing

REFLECTORS



999

Reflector Cone

40W R16, 50W R20, 50W PAR20

999P=Specular Clear, White Trim Ring**999AC**=Antique Copper with Antique
Copper Trim Ring**999RG**=Residential Gold, white trim ring**999W**=White Reflector, White Trim Ring**999H**=Haze Reflector, White Trim Ring**999MB**=Specular Black Reflector, White

Trim Ring

999SN=Satin Nickel Reflector with Satin

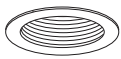
Nickel Trim Ring

999TBZ=Tuscan Bronze Reflector with

Tuscan Bronze Trim Ring

OD: 5 1/16" (129mm)

BAFFLES



993

Coilex Baffle with Die Cast Trim Ring

40W R16, 50W R20, 50W PAR20

993P=Black Baffle with White Trim Ring**993AC**=Black Baffle with Antique
Copper Trim Ring**993PB**=Black Baffle with Polished Brass

Trim Ring

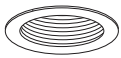
993W=White Baffle with White Trim Ring**993SN**=Black Baffle with Satin Nickel

Trim Ring

993TBZ=Black Baffle with Tuscan Bronze

Trim Ring

OD: 5 1/16" (129mm)



953

Metal Baffle with Die Cast Trim Ring

40W R16, 50W R20, 50W PAR20

953P=Black Baffle with White Trim Ring**953W**=White Baffle with White Trim Ring**953AC**=Antique Copper Baffle with Antique

Copper Trim Ring

953SN=Satin Nickel Baffle with Satin Nickel

Trim Ring

953TBZ=Tuscan Bronze Baffle with Tuscan

Bronze Trim Ring

OD: 5 1/16" (129mm)



ERT413

Full Cone Metal Baffle

40W A19, (50W R20 - ERT413WHT only),

50W PAR 20

ERT413WHT=High Gloss Appliance White Trim

Ring with White Baffle

ERT413=High Gloss Appliance White Trim

Ring with Black Baffle

OD: 5 1/16" (129mm)

ADJUSTABLES



998

Eyeball - 30° Tilt

40W R16, 60W PAR16

998P=White Eyeball**998AC**=Antique Copper Eyeball**998PB**=Polished Brass Eyeball**998SN**=Satin Nickel Eyeball**998TBZ**=Tuscan Bronze Eyeball

OD: 5 1/16" (129mm)

OPEN



945

Metropolitan Ice Light

50W PAR20, 50W R20

945=Clear Frosted**945BLUE**=Blue Frosted

OD: 5 5/16" (135mm)



946

Metropolitan Deco

50W PAR20, 50W R20

946BC=Green Tint Rings with

Black Chrome Metal Body

946PB=Green Tint Rings with

Polished Brass Metal Body

OD: 5 5/8" (143mm)



990

Pinhole Trim

40W A19, 40W R16, 50W PAR20,

50W R20

990P=White Die Cast Trim**990AC**=Antique Copper Die

Cast Trim

990SN=Satin Nickel Die Cast

Trim

990TBZ=Tuscan Bronze Die

Cast Trim

OD: 5 1/16" (129mm)

WALL WASH



992

Wall Wash with Baffle

40W R16, 40W A19, 50W R20,

50W PAR20

992P=White Scoop and Trim Ring,

Black Baffle

992AC=Antique Copper, Scoop and

Trim Ring, Black Baffle

992W=White Scoop and Trim Ring,

White Baffle

992SN=Satin Nickel Scoop and Trim

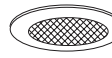
Ring, Black Baffle

992TBZ=Tuscan Bronze Scoop and

Trim Ring, Black Baffle

OD: 5 1/16" (129mm)

SHOWER LIGHT



951

Shower Light, Full Reflector

40W A19, 50W PAR20, 50W R20

951PS=Shower Light, White Trim Ring,

Glass Lens

951ACS=Shower Light, Antique Copper

Trim Ring, Glass Lens

951SNS=Shower Light, Satin Nickel Trim

Ring, Glass Lens

951TBZS=Shower Light, Tuscan Bronze

Trim Ring, Glass Lens

OD: 5 1/16" (129mm)



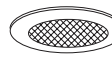
952

Frosted Dome Lens Shower Light,**Cone Reflector**

40W A19, 50W PAR20, 50W R20

952PS=White Trim Ring, Dome Lens

Shower Light



955

Shower Light, Cone Reflector

40W A19, 50W PAR20, 50W R20

955PS=Shower Light, White Trim Ring,

Glass Lens

Note: Specifications and Dimensions subject to change without notice.

Visit our web site at www.cooperlighting.com

DESCRIPTION

The H99RTAT is a small aperture Non-IC AIR-TITE™ housing for providing accent and task lighting. The H99RTAT is designed for use in non-insulated existing ceilings. Non-IC Housing is AIR-TITE™ but insulation must be kept 3 inches away from all sides of housing. For installation from below the ceiling.

Catalog #	Type
Project	
Comments	
Prepared by	Date

SPECIFICATION FEATURES

Housing

Formed of CRS with powder coat finish.

Remodel Clips

Four remodel clips secure housing and accommodates 1/2" and 5/8" ceiling materials.

Junction Box

- Seven 1/2" trade size conduit knockouts with true pry-out slots.
- Four pryouts with integral strain relief for non-metallic sheathed cable

"Quick Connect" Connectors

Three quick connect wiring connectors included.

Socket

Fixed position porcelain socket with nickel plated brass screw shell provides consistent lamp positioning.

Thermal Protector

Thermal protector deactivates fixture if overheating occurs due to improper lamping or misapplied insulation.

Labels

- UL/cUL Listed 1598 Luminaire
- UL/cUL Damp Location Listed
- UL/cUL Listed for Wet Location, covered ceiling - with select trims
- Certified Under ASTM-E283 for air tight construction
- IP rated (Improper Lamp)

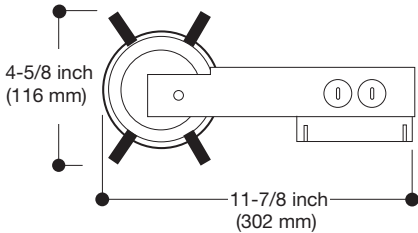
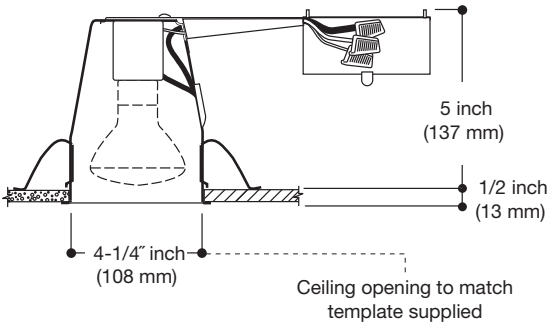


H99RTAT

4" Non-Insulated Ceiling AIR-TITE™ Recessed Remodel Housing

4" TRIMS

FOR USE IN NONINSULATED CEILINGS OR INSULATED CEILINGS WHERE INSULATION CAN BE KEPT 3" FROM ALL SIDES OF FIXTURE FOR USE IN EXISTING CEILINGS



TRIMS

ORDERING INFORMATION

SAMPLE NUMBER: H99RTAT-999P

Order housing and trims separately.

Housing

Trims

H99RTAT=4" Non-Insulated Ceiling
Small Aperture AIR-TITE
Remodel Housing

REFLECTORS



999

Reflector Cone

40W R16, 50W R20, 50W PAR20

999P=Specular Clear, White Trim Ring**999AC**=Antique Copper with Antique
Copper Trim Ring**999RG**=Residential Gold, white trim ring**999W**=White Reflector, White Trim Ring**999H**=Haze Reflector, White Trim Ring**999MB**=Specular Black Reflector, White

Trim Ring

999SN=Satin Nickel Reflector with Satin

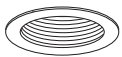
Nickel Trim Ring

999TBZ=Tuscan Bronze Reflector with

Tuscan Bronze Trim Ring

OD: 5 1/16" (129mm)

BAFFLES



993

Coilex Baffle with Die Cast Trim Ring

40W R16, 50W R20, 50W PAR20

993P=Black Baffle with White Trim Ring**993AC**=Black Baffle with Antique
Copper Trim Ring**993PB**=Black Baffle with Polished Brass

Trim Ring

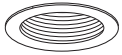
993W=White Baffle with White Trim Ring**993SN**=Black Baffle with Satin Nickel

Trim Ring

993TBZ=Black Baffle with Tuscan Bronze

Trim Ring

OD: 5 1/16" (129mm)



953

Metal Baffle with Die Cast Trim Ring

40W R16, 50W R20, 50W PAR20

953P=Black Baffle with White Trim Ring**953W**=White Baffle with White Trim Ring**953AC**=Antique Copper Baffle with Antique

Copper Trim Ring

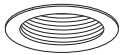
953SN=Satin Nickel Baffle with Satin Nickel

Trim Ring

953TBZ=Tuscan Bronze Baffle with Tuscan

Bronze Trim Ring

OD: 5 1/16" (129mm)



ERT413

Full Cone Metal Baffle

40W A19, (50W R20 - ERT413WHT only),

50W PAR 20

ERT413WHT=High Gloss Appliance White Trim

Ring with White Baffle

ERT413=High Gloss Appliance White Trim

Ring with Black Baffle

OD: 5 1/16" (129mm)

ADJUSTABLES



998

Eyeball - 30° Tilt

40W R16, 60W PAR16

998P=White Eyeball**998AC**=Antique Copper Eyeball**998PB**=Polished Brass Eyeball**998SN**=Satin Nickel Eyeball**998TBZ**=Tuscan Bronze Eyeball

OD: 5 1/16" (129mm)

OPEN



945

Metropolitan Ice Light

50W PAR20, 50W R20

945=Clear Frosted**945BLUE**=Blue Frosted

OD: 5 5/16" (135mm)



946

Metropolitan Deco

50W PAR20, 50W R20

946BC=Green Tint Rings with

Black Chrome Metal Body

946PB=Green Tint Rings with

Polished Brass Metal Body

OD: 5 5/8" (143mm)



990

Pinhole Trim

40W A19, 40W R16, 50W PAR20,

50W R20

990P=White Die Cast Trim**990AC**=Antique Copper Die

Cast Trim

990SN=Satin Nickel Die Cast

Trim

990TBZ=Tuscan Bronze Die

Cast Trim

OD: 5 1/16" (129mm)

WALL WASH



992

Wall Wash with Baffle

40W R16, 40W A19, 50W R20,

50W PAR20

992P=White Scoop and Trim Ring,

Black Baffle

992AC=Antique Copper, Scoop and

Trim Ring, Black Baffle

992W=White Scoop and Trim Ring,

White Baffle

992SN=Satin Nickel Scoop and Trim

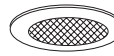
Ring, Black Baffle

992TBZ=Tuscan Bronze Scoop and

Trim Ring, Black Baffle

OD: 5 1/16" (129mm)

SHOWER LIGHT



951

Shower Light, Full Reflector

40W A19, 50W PAR20, 50W R20

951PS=Shower Light, White Trim Ring,

Glass Lens

951ACS=Shower Light, Antique Copper

Trim Ring, Glass Lens

951SNS=Shower Light, Satin Nickel Trim

Ring, Glass Lens

951TBZS=Shower Light, Tuscan Bronze

Trim Ring, Glass Lens

OD: 5 1/16" (129mm)



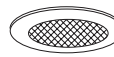
952

Frosted Dome Lens Shower Light,**Cone Reflector**

40W A19, 50W PAR20, 50W R20

952PS=White Trim Ring, Dome Lens

Shower Light



955

Shower Light, Cone Reflector

40W A19, 50W PAR20, 50W R20

955PS=Shower Light, White Trim Ring,

Glass Lens

Note: Specifications and Dimensions subject to change without notice.

Visit our web site at www.cooperlighting.com