

DESCRIPTION

The H27ICT housing is designed for use in shallow ceilings where 2" x 6" joist construction is used. The wide variety of trims available allows a number of different lighting effects to be created with one basic housing.

APPLICATION

The H27ICT is designed for shallow ceilings where insulation is present.

DESIGN FEATURES

A...Housing

Aluminum housing for greater heat dissipation.

B...Socket Plate

Fixed socket plate for consistent lamp position

C...Plaster Frame

Housing adjusts in plaster frame 1 3/8" to accommodate different ceiling thicknesses.

D...Junction Box

U.L. listed for through branch circuit wiring. Positioned to accommodate straight conduit runs. Seven conduit knockouts are uniform 1/2" size with true pryout slots. Four Romex pryouts with integral strain relief also included.

E...GOT NAIL! Pass-N-Thru™ Bar Hangers

Bar Hanger Features include:

- Pre-installed nail easily installs in regular lumber, engineered lumber and laminated beams
- Safety and guidance system prevents snagging, ensures smooth straight nail penetration and allows bar hangers to be easily removed if necessary.
- Automatic levelling flange aligns the housing and lets you hold the housing in place with one hand while driving nails
- Housing can be positioned at any point within 24" joist span
- Score lines allow "toolless" shortening for 12" joists
- Bar hangers may be repositioned 90°
- Bar hangers do not need to be removed from frame for shortening
- Integral T-bar clips snaps onto T-bars - no additional clips required

F...Socket

Porcelain socket with nickel plated brass screw shell.

G...Thermal Protector

Integral Thermal Protector deactivates fixture if an incorrect lamp is used or if ceiling insulation material is not applied correctly.

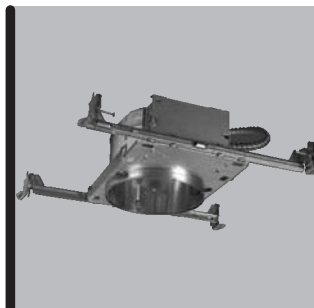
Labels

- UL Listed for Damp Location
- UL listed for Feed Through
- UL listed for Direct Contact with Insulation and combustible material
- CSA Certified

Meets following requirements:

- State of California Title 24

Catalog #	Type
Project	
Comments	
Prepared by	Date



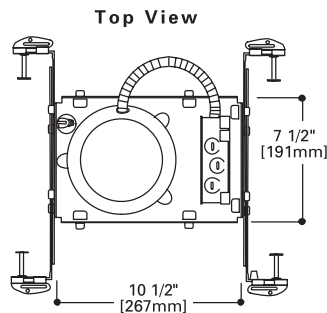
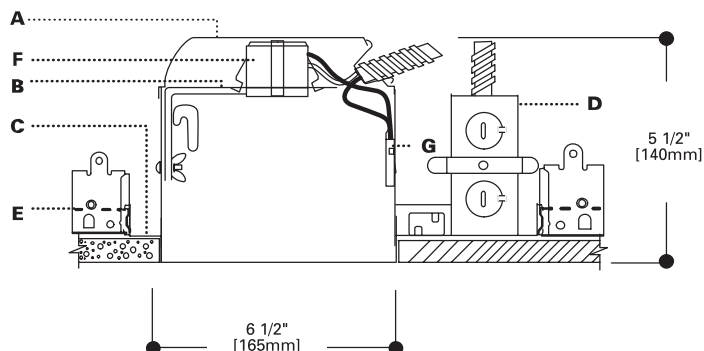
H27ICT

6" Insulated Ceiling Recessed Housing

6" TRIMS

FOR USE IN INSULATED CEILINGS

FOR USE IN SHALLOW CEILINGS



UPGRADE FEATURES:

- SLIDE-N-SIDE™ JUNCTION BOX
- GOT NAIL!™ BAR HANGERS
- PASS-N-THRU™ BAR HANGERS
- REGRESSED LOCKING SCREW
- HALO ID ON PLASTER FRAME

Ordering Information on reverse.

TRIMS

ORDERING INFORMATION

SAMPLE NUMBER: H271CT-426RG

Order housing, trim and accessories separately.

Housing

Trims

Accessories

H271CT=6" Insulated Ceiling
Shallow Housing

REFLECTORS



426

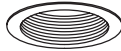
Specular Reflector Cone
75W PAR30, 65W BR30,
65W PAR30L, 50W PAR30
 426=Specular Clear
 426H=haze
 426RG=Residential Gold
 426CG=Champagne Gold
 426MB=Specular Black
 OD: 7 1/4" (184mm)

BAFFLES



310

Baffle
65W BR30, 75W PAR30L, 50W PAR30
 310P=Black Baffle
 310W=White Baffle
 OD: 7 1/4" (184mm)



312

Baffle
65W BR30, 50W PAR30
 312P=Black Baffle
 312W=White Baffle
 OD: 7 1/4" (184mm)

ADJUSTABLES



77

Eyeball
50W R20, 50W PAR20
 77P=White Eyeball
 OD: 8" (203mm)



78

Eyeball - 30° Tilt
75W R30, 75W PAR30L
 78P=White Eyeball
 78SL=Silver Eyeball
 78B=Brass Eyeball
 78PB=Polished Brass Eyeball
 78PAT=Polished Brass Eyeball
 OD: 8" (203mm)



90

Double Bubble - 60° Tilt
150W PAR38
 90P=White Double Bubble Adjustable
 OD: 8" (203mm)



420

Coiled Regressed Eyeball
50W PAR30, 50W PAR30L, 60W BR30
 420P=Black Baffle, White Eyeball
 420PB=Black Baffle, Polished Brass
 Eyeball
 420W=White Baffle, White Eyeball
 OD: 7 1/4" (184mm)

OPEN



300

Open
65W BR30, 75W PAR30
 300P=White Open
 OD: 7 1/4" (184mm)



328

White Splay Trim
65W BR30, 75W PAR30L, 50W PAR30
 328P=White Splay
 OD: 7 3/4" (197mm)

LENS



Drop Opal with Reflector Cone
40W A19
 171P=Drop Opal
 171PS=Drop Opal Shower Light
 OD: 7 1/4" (184mm)

Metal Trim Rings

Compatible with 310, 312, 420, 426

TRM6P=White Metal

TRM6PB=Polished Brass

TRM6C=Chrome

TRM6MB=Black Metal

TRM6SL=Silver Metal

TRP7MB=Black Plastic

Oversize Trim Rings

For use when ceiling opening is cut too

large. Compatible with 310, 312, 420, 426

OT400P=9 1/4" White Metal

OT403P= 8" White Plastic

Step Down Transformer

Steps 277V line voltage down to 120V

fixture operating voltage. 150VA max.

H277=150VA Max.

Note: Specifications and Dimensions subject to change without notice.

Visit our web site at www.cooperlighting.com

DESCRIPTION

The H27ICT housing is designed for use in shallow ceilings where 2" x 6" joist construction is used. The wide variety of trims available allows a number of different lighting effects to be created with one basic housing.

APPLICATION

The H27ICT is designed for shallow ceilings where insulation is present.

DESIGN FEATURES

A...Housing

Aluminum housing for greater heat dissipation.

B...Socket Plate

Fixed socket plate for consistent lamp position

C...Plaster Frame

Housing adjusts in plaster frame 1 3/8" to accommodate different ceiling thicknesses.

D...Junction Box

U.L. listed for through branch circuit wiring. Positioned to accommodate straight conduit runs. Seven conduit knockouts are uniform 1/2" size with true pryout slots. Four Romex pryouts with integral strain relief also included.

E...GOT NAIL! Pass-N-Thru™ Bar Hangers

Bar Hanger Features include:

- Pre-installed nail easily installs in regular lumber, engineered lumber and laminated beams
- Safety and guidance system prevents snagging, ensures smooth straight nail penetration and allows bar hangers to be easily removed if necessary.
- Automatic levelling flange aligns the housing and lets you hold the housing in place with one hand while driving nails
- Housing can be positioned at any point within 24" joist span
- Score lines allow "toolless" shortening for 12" joists
- Bar hangers may be repositioned 90°
- Bar hangers do not need to be removed from frame for shortening
- Integral T-bar clips snaps onto T-bars - no additional clips required

F...Socket

Porcelain socket with nickel plated brass screw shell.

G...Thermal Protector

Integral Thermal Protector deactivates fixture if an incorrect lamp is used or if ceiling insulation material is not applied correctly.

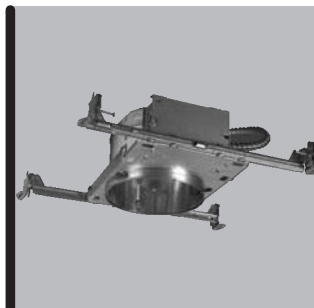
Labels

- UL Listed for Damp Location
- UL listed for Feed Through
- UL listed for Direct Contact with Insulation and combustible material
- CSA Certified

Meets following requirements:

- State of California Title 24

Catalog #	Type
Project	
Comments	
Prepared by	Date



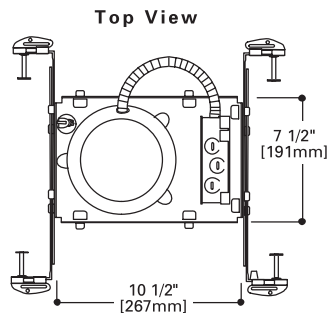
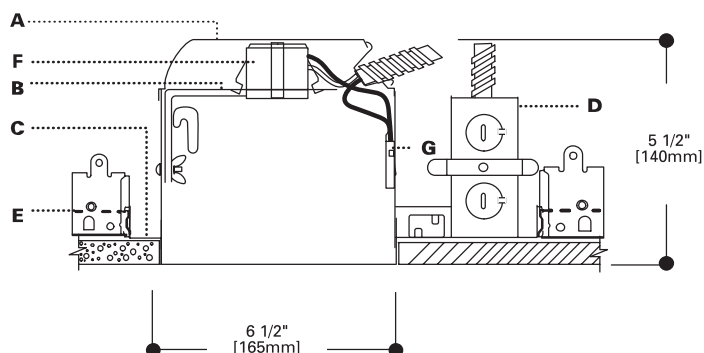
H27ICT

6" Insulated Ceiling Recessed Housing

6" TRIMS

FOR USE IN INSULATED CEILINGS

FOR USE IN SHALLOW CEILINGS



UPGRADE FEATURES:

- SLIDE-N-SIDE™ JUNCTION BOX
- GOT NAIL!™ BAR HANGERS
- PASS-N-THRU™ BAR HANGERS
- REGRESSED LOCKING SCREW
- HALO ID ON PLASTER FRAME

Ordering Information on reverse.

TRIMS

ORDERING INFORMATION

SAMPLE NUMBER: H271CT-426RG

Order housing, trim and accessories separately.

Housing

Trims

Accessories

H271CT=6" Insulated Ceiling
Shallow Housing

REFLECTORS



426

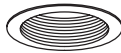
Specular Reflector Cone
75W PAR30, 65W BR30,
65W PAR30L, 50W PAR30
 426=Specular Clear
 426H=haze
 426RG=Residential Gold
 426CG=Champagne Gold
 426MB=Specular Black
 OD: 7 1/4" (184mm)

BAFFLES



310

Baffle
65W BR30, 75W PAR30L, 50W PAR30
 310P=Black Baffle
 310W=White Baffle
 OD: 7 1/4" (184mm)



312

Baffle
65W BR30, 50W PAR30
 312P=Black Baffle
 312W=White Baffle
 OD: 7 1/4" (184mm)

ADJUSTABLES



77

Eyeball
50W R20, 50W PAR20
 77P=White Eyeball
 OD: 8" (203mm)



78

Eyeball - 30° Tilt
75W R30, 75W PAR30L
 78P=White Eyeball
 78SL=Silver Eyeball
 78B=Brass Eyeball
 78PB=Polished Brass Eyeball
 78PAT=Polished Brass Eyeball
 OD: 8" (203mm)



90

Double Bubble - 60° Tilt
150W PAR38
 90P=White Double Bubble Adjustable
 OD: 8" (203mm)



420

Coiled Regressed Eyeball
50W PAR30, 50W PAR30L, 60W BR30
 420P=Black Baffle, White Eyeball
 420PB=Black Baffle, Polished Brass
 Eyeball
 420W=White Baffle, White Eyeball
 OD: 7 1/4" (184mm)

OPEN



300

Open
65W BR30, 75W PAR30
 300P=White Open
 OD: 7 1/4" (184mm)



328

White Splay Trim
65W BR30, 75W PAR30L, 50W PAR30
 328P=White Splay
 OD: 7 3/4" (197mm)

LENS



Drop Opal with Reflector Cone
40W A19
 171P=Drop Opal
 171PS=Drop Opal Shower Light
 OD: 7 1/4" (184mm)

Metal Trim Rings

Compatible with 310, 312, 420, 426

TRM6P=White Metal

TRM6PB=Polished Brass

TRM6C=Chrome

TRM6MB=Black Metal

TRM6SL=Silver Metal

TRP7MB=Black Plastic

Oversize Trim Rings

For use when ceiling opening is cut too large. Compatible with 310, 312, 420, 426

OT400P=9 1/4" White Metal

OT403P=8" White Plastic

Step Down Transformer

Steps 277V line voltage down to 120V fixture operating voltage. 150VA max.

H277=150VA Max.

Note: Specifications and Dimensions subject to change without notice.

Visit our web site at www.cooperlighting.com