

## 19.5" Low-Profile Support Just for Outdoor Light Fixtures



### Comes complete with...

Access panel cover, gasket, installed 3/4" x 1/2" NPT metal grounding bushing and locknut with copper ground wire for fixture installation.

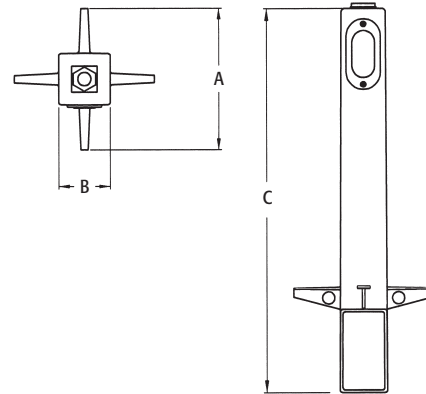
For use with light fixtures exclusively. Accommodates most fixture styles. UV rated plastic for long outdoor life. Four non-chipping colors.

### FEATURES AND BENEFITS

- Molded-in color is permanent—unlike painted posts where lawn equipment chips the color off
  - Streamline design...one of our most competitively priced 19.5" Gard-N-Posts
  - Removable 1/2" KO in cover for photocell installation
  - Metal bushing with ground wire for 2- or 3-wire fixtures
  - Resists damage from lawn equipment
- height! When assembling the Extender with GP37 (see J-5) use standard PVC cement.

| CATALOG NUMBER | UPC/DCI/NAED MFG #018997 | DESCRIPTION | UNIT PKG | STD PKG | DIM A | DIM B | DIM C  |
|----------------|--------------------------|-------------|----------|---------|-------|-------|--------|
| GPL19B         | 77000                    | Black       | 1        | 6       | 7.125 | 2.250 | 19.500 |
| GPL19BR        | 77001                    | Bronze      | 1        | 6       | 7.125 | 2.250 | 19.500 |
| GPL19G         | 77002                    | Green       | 1        | 6       | 7.125 | 2.250 | 19.500 |
| GPL19W         | 77003                    | White       | 1        | 6       | 7.125 | 2.250 | 19.500 |

PATENTED.



## 19.5" Low-Profile Support Just for Outdoor Light Fixtures



### Comes complete with...

Access panel cover, gasket, installed 3/4" x 1/2" NPT metal grounding bushing and locknut with copper ground wire for fixture installation.

For use with light fixtures exclusively. Accommodates most fixture styles. UV rated plastic for long outdoor life. Four non-chipping colors.

### FEATURES AND BENEFITS

- Molded-in color is permanent—unlike painted posts where lawn equipment chips the color off
  - Streamline design...one of our most competitively priced 19.5" Gard-N-Posts
  - Removable 1/2" KO in cover for photocell installation
  - Metal bushing with ground wire for 2- or 3-wire fixtures
  - Resists damage from lawn equipment
- height! When assembling the Extender with GP37 (see J-5) use standard PVC cement.

| CATALOG NUMBER | UPC/DCI/NAED MFG #018997 | DESCRIPTION | UNIT PKG | STD PKG | DIM A | DIM B | DIM C  |
|----------------|--------------------------|-------------|----------|---------|-------|-------|--------|
| GPL19B         | 77000                    | Black       | 1        | 6       | 7.125 | 2.250 | 19.500 |
| GPL19BR        | 77001                    | Bronze      | 1        | 6       | 7.125 | 2.250 | 19.500 |
| GPL19G         | 77002                    | Green       | 1        | 6       | 7.125 | 2.250 | 19.500 |
| GPL19W         | 77003                    | White       | 1        | 6       | 7.125 | 2.250 | 19.500 |

PATENTED.

