

Ground Fault Products

Commercial Standard Hospital Grade GFCI Receptacles

HUBBELL

Features

- Green power indicator and red trip indicator
- Patented AUTOGUARD® self test technology
- Triple wipe construction

Ordering Information

Description	Color	UPC	Catalog Number
20A, 125V, Style Line®, hospital grade, AUTOGUARD® self test GFCI receptacle, flush face,	White	783585485256	GFRST83W

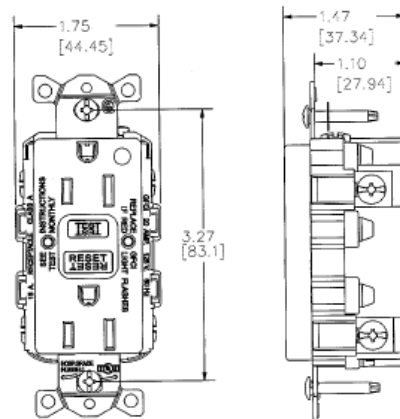


Listings

UL Listed - Canadian and U.S.
Meets ADA Standards
Meets all NEC® requirements
CSA Certified
NEMA® WD-6 Compliant

Specifications

Face	Nylon
Base	Nylon
Power Contacts	Brass
Ground Contacts	Brass
Mounting Strap	Brass
Mounting Screws	Zinc plated steel



Online Resources

[eCatalog](#)

Dimensions in Inches (mm)

Hubbell Wiring Device-Kellems • Hubbell Incorporated (Delaware) • 40 Waterview Drive • Shelton, CT 06484

Phone (800) 288-6000 • Fax (800) 255-1031 • Specifications subject to change without notice.



Ground Fault Products

Commercial Standard Hospital Grade GFCI Receptacles

HUBBELL

Features

- Green power indicator and red trip indicator
- Patented AUTOGUARD® self test technology
- Triple wipe construction

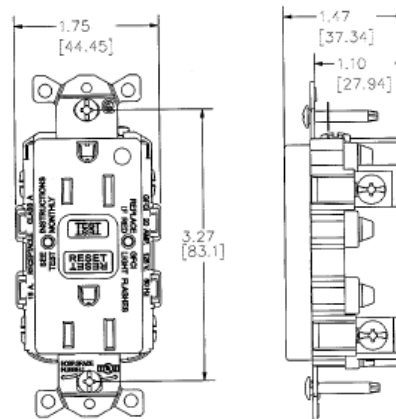
Ordering Information

Description	Color	UPC	Catalog Number
20A, 125V, Style Line®, hospital grade, AUTOGUARD® self test GFCI receptacle, flush face,	White	783585485256	GFRST83W



Listings

UL Listed - Canadian and U.S.
Meets ADA Standards
Meets all NEC® requirements
CSA Certified
NEMA® WD-6 Compliant



Specifications

Face	Nylon
Base	Nylon
Power Contacts	Brass
Ground Contacts	Brass
Mounting Strap	Brass
Mounting Screws	Zinc plated steel

Online Resources

[eCatalog](#)

Dimensions in Inches (mm)

Hubbell Wiring Device-Kellems • Hubbell Incorporated (Delaware) • 40 Waterview Drive • Shelton, CT 06484

Phone (800) 288-6000 • Fax (800) 255-1031 • Specifications subject to change without notice.

