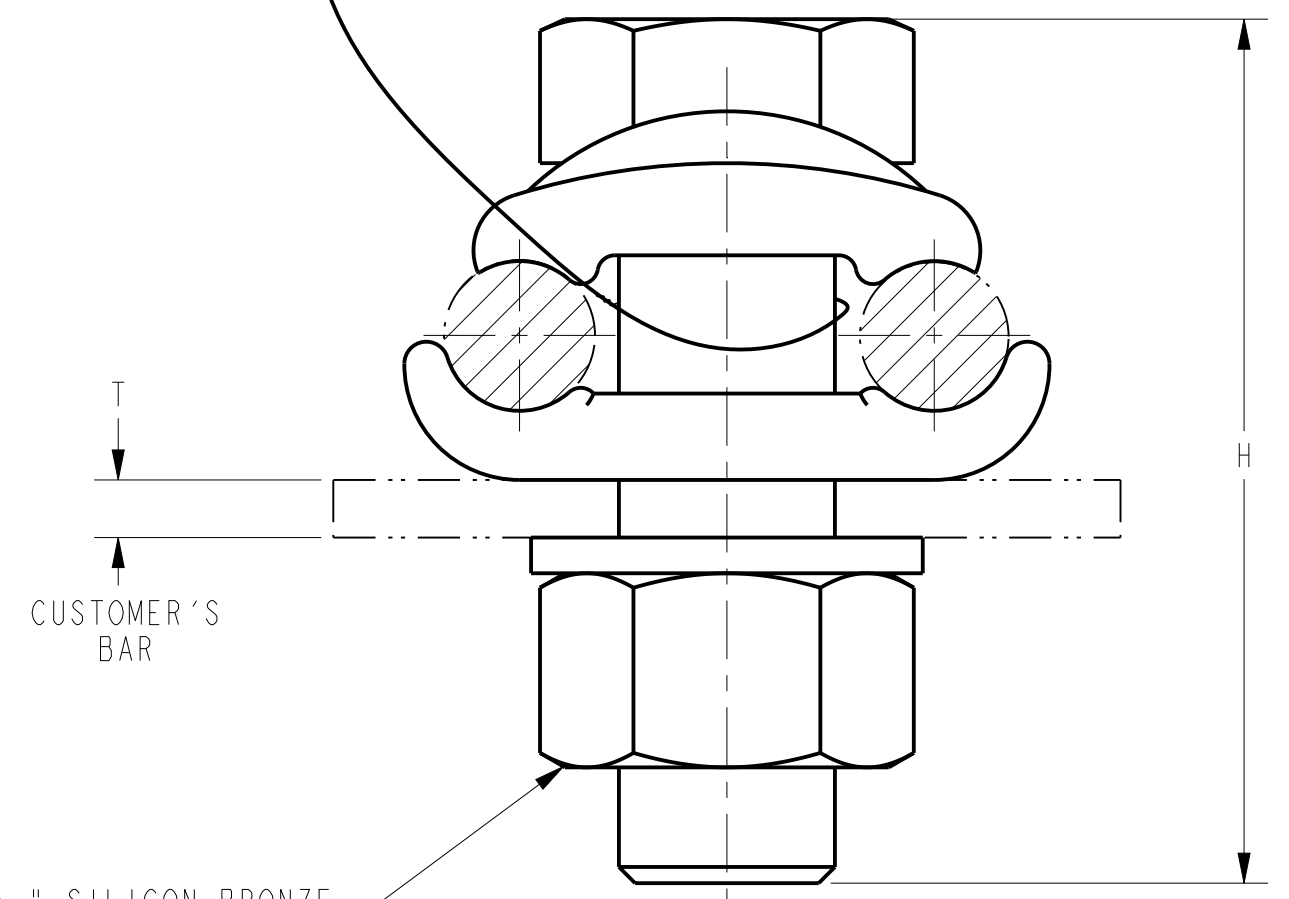
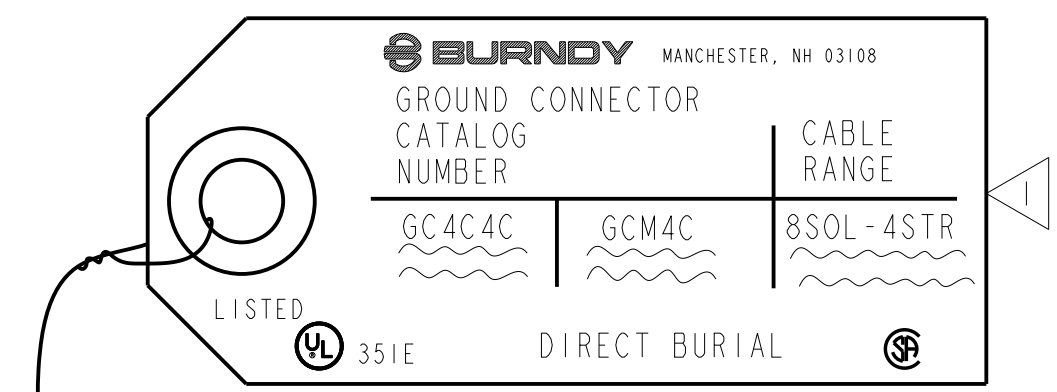
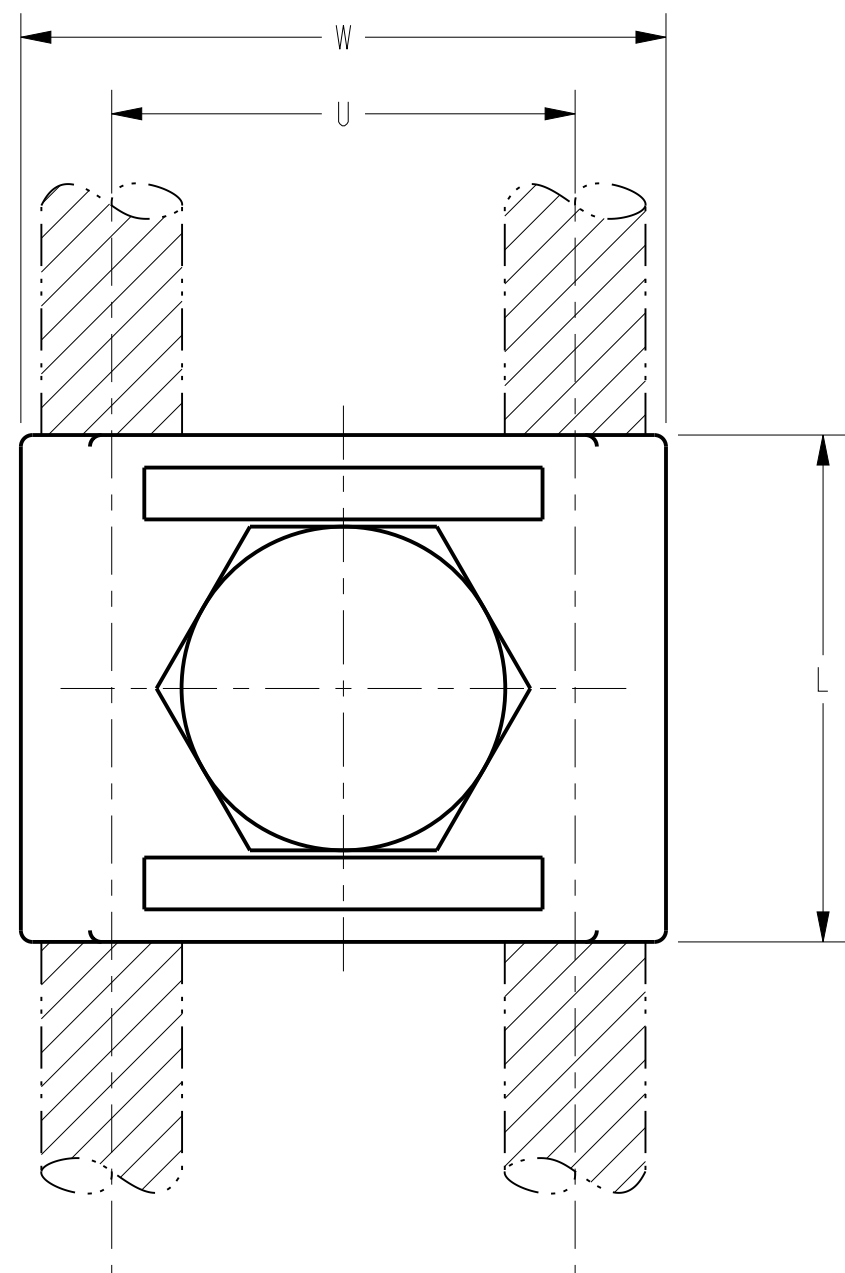


CATALOG NUMBER	COPPER CONDUCTOR RANGE - EITHER GROOVE		H	J DIA.	L	U	W	T	TORQUE	
	COMMERCIAL	METRIC							Lb*in	N*m
GC4C4C	8 SOL (.129 DIA.) - 4 STR (.232 DIA.)	10mm <sup>2</sup> SOL [3.58] - 16mm <sup>2</sup> STR [5.13]	1.49 [38]	3/8-16	.88 [22]	.72 [18]	1.12 [28]	1/4" [6]	240	27.0
GC2626	4 SOL (.204 DIA.) - 2/0 STR (.418 DIA.)	25mm <sup>2</sup> STR [6.48] - 70mm <sup>2</sup> STR [10.9]	1.74 [44]		1.00 [25]	.92 [23]	1.57 [40]			
GC2626TNGSHDWR	4 SOL (.204 DIA.) - 2/0 STR (.418 DIA.)	25mm <sup>2</sup> STR [6.48] - 70mm <sup>2</sup> STR [10.9]	1.74 [44]		1.00 [25]	.92 [23]	1.57 [40]			
GC2929	2/0 SOL (.365 DIA.) - 250 kcmil (.575 DIA.)	70mm <sup>2</sup> STR [10.9] - 120mm <sup>2</sup> STR [14.4]	2.32 [59]	1/2-13	1.25 [32]	1.19 [30]	2.04 [52]	480	54.1	
GC3434	300 kcmil (.630 DIA.) - 500 kcmil (.814 DIA.)	150mm <sup>2</sup> STR [16.0] - 240mm <sup>2</sup> STR [20.3]	2.82 [72]		1.62 [41]	1.43 [36]	2.56 [65]			
GC3939	550 kcmil (.855 DIA.) - 750 kcmil (.998 DIA.)	300mm <sup>2</sup> STR [22.6] - 300mm <sup>2</sup> STR [22.6]	3.31 [84]	5/8-11	2.25 [57]	1.75 [44]	3.63 [92]	660	74.1	
GC4444	800 kcmil (1.031 DIA.) - 1000 kcmil (1.152 DIA.)	400mm <sup>2</sup> STR [26.1] - 500mm <sup>2</sup> STR [28.3]	3.69 [94]		2.50 [64]	1.94 [49]	4.06 [103]			

REV	DATE	DESCRIPTION	ECO	BY	C'K.
G	01/25/2015	FOCUS REQUEST PIN FPN1601070	42754	AV	MB

- NOTES:
- 1 UL 467 LISTED, FILE NO. E9999. SUITABLE FOR DIRECT BURIAL IN CONCRETE OR GROUND. CERTIFIED GROUNDING & BONDING, CSA 22.2 NO. 65.
  - 2 DIMENSIONS IN BRACKETS [ ] ARE IN MILLIMETERS ROUNDED OFF TO THE NEAREST MILLIMETER, UNLESS OTHERWISE NOTED, AND ARE FOR REFERENCE ONLY.
  - 3 MATERIAL: CAST COPPER ALLOY.
  - 4 FOR BAR THICKNESSES FROM 1/4" TO 1/2" ADD THE SUFFIX "T4" TO THE CATALOG NUMBER. FOR BAR THICKNESSES FROM 1/2" TO 1" ADD THE SUFFIX "T8" TO THE CATALOG NUMBER.
  - 5 GROUND CONNECTOR TAG IS NOT REQUIRED FOR THE GC2929 SIZE.
  - 6 FINISH: FOR TIN PLATED CONNECTORS ADD SUFFIX "TN" TO CATALOG NUMBER (EXAMPLE: GC3434TN, GC3434T4TN, GC3434T8TN) FOR HEAVY TIN PLATED CONNECTORS ADD SUFFIX "W" TO CATALOG NUMBER (EXAMPLE: GC3434W, GC3434T4W, GC3434T8W).
  - 7 CAP & BODY FINISH TO BE TIN PLATED. HARDWARE FINISH TO BE GALVANIZED STEEL. NOT UL LISTED.
  - 8 CATALOG NUMBERS WITH A "GS" SUFFIX HAVE GALVANIZED HARDWARE.
  - 9 CATALOG NUMBERS WITH A "SS" SUFFIX HAVE STAINLESS STEEL HARDWARE, NOT UL LISTED.



TO ORDER BURNDY® PRODUCTS CALL

UNITED STATES:  
1-800-346-4175 (LONDONDERRY, NH)

CANADA:  
1-800-361-6975 (QUEBEC)  
1-800-387-6487 (ALL OTHER PROVINCES)

FOR PRODUCT INFO: <http://www.burndy.com>

GROUND CONNECTOR	
ITEM NO:	N/A
CAT. NO:	GC -- (TABLE)
DRAWN BY:	H.C 09/16/85
CHECKER:	C.A.R 09/25/85
DSN APPVL:	G DITROIA 11/11/93
MFG APPVL:	--
QA APPVL:	A LLOYD 12/03/93
MKT APPVL:	K WOO 12/02/93
PROD FAM:	MECHANICAL GROUNDING
PROJECT #:	--
DOCUMENT TYPE:	Sales
REL LEVEL:	Released



REV: PE0200