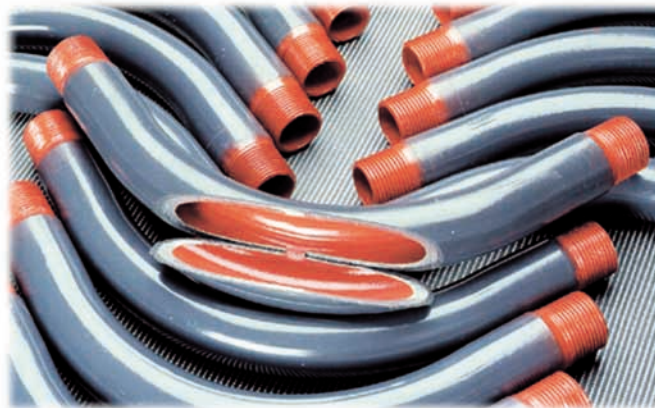


# PLASTI-BOND REDH<sub>2</sub>OT COATED ELBOWS

## STANDARD RADIUS COATED ELBOWS



### Coated Elbow Specifications

PLASTI-BOND REDH<sub>2</sub>OT factory bent standard radius elbows are available and ready to ship. Factory bent elbows are more accurate, quicker to install and more economical, because they save field bending time and do not waste materials. Electrical continuity is maintained across assembled joints.

- 40 mil Gray PVC exterior coating
- 2 mil Red urethane interior and thread coating
- 12 trade sizes from 1/2" through 6"
- Available in 90°, 60°, 45°, and 30° bends
- Plastic thread protector caps are color coded for quick identification of conduit size.

#### Thread Protector Cap Colors:

- Black- for 1/2" sizes, 1/2", 1-1/2", 2-1/2", 3-1/2"
- Red- for 1/4" sizes, 3/4", 1-1/4"
- Blue- for even sizes, 1", 2", 3", 4", 5", 6"

- UL Listed, (Standard 6) with the PVC as the primary corrosion protection for the steel conduit. The underlying zinc coating is a supplemental corrosion protection coating. Restricted for use with threaded fittings only. Corrosion protection properties of exterior zinc coating were not investigated.

**ETL VERIFIED: Plasti-Bond Elbows are manufactured from ETL-verified conduit.**

### Simple Steps To Ordering

To order the PLASTI-BOND coated elbows follow these simple steps to creating a catalog number:

- 1- Determine Proper Prefix.**
  - For steel conduit elbow use the prefix: **PRHELB-**
  - For aluminum conduit elbow use the prefix: **PRELB-AL-**
- 2-** Add the conduit trade size needed to your catalog prefix.  
Example - 1/2" steel conduit elbow: **PRHELB-1/2**
- 3-** Enter an "X" to represent "by" as in "2X4".  
Example - **PRHELB-1/2X**
- 4-** Enter the desired elbow degree of bend.  
Example - 45°: **PRHELB-1/2X45**

For a coated steel, 1/2" elbow with a 45° bend, the catalog number would be: **PRHELB 1/2X45**

#### STEP 5 AND 6 FOR CONFIGURING CATALOG NUMBERS FOR LARGE RADIUS ELBOWS

- 5-** Enter an "X" to represent "by" as in "2X4".  
Example - **PRHELB-1/2X45X**
- 6-** Enter the desired elbow radius.  
Example - 30: **PRHELB-1/2X45X30**

For a coated steel, 1/2" elbow with a 45° bend, and a special radius of 30" the catalog number would be:  
**PRHELB-1/2X45X30**

This number can then be looked up in the listing of pricing to determine price and availability.

Call 903-843-5591 for custom orders, customer service and more information on **Plasti-Bond REDH<sub>2</sub>OT**.

APPROVAL STAMP

APPLICATION

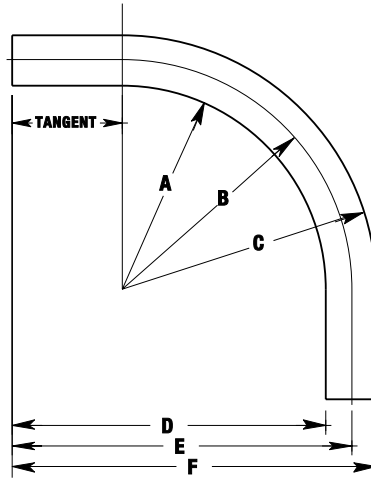
FEATURES

COMPLIANCES

## STANDARD RADIUS COATED ELBOWS

### Dimensions

APPROVAL STAMP



### Diagram Legend

A = Radius at inside of bend.

B = Radius at center line of bend.

C = Radius at outside of bend.

D = Offset at inside of bend.

E = Offset at center of bend.

F = Offset at outside of bend.

### STANDARD RADIUS ELBOWS

Metric Size Designators	Nominal Size Inches	DIAMETERS			RADII			OFFSET			Tangent Inches
		External Inches	Internal Inches	Nipple Lengths Inches	A Inches	(standard) B Inches	C Inches	D Inches	E Inches	F Inches	
16	1/2"	0.920"	0.632"	11-1/4"	3.79"	4.25"	4.71"	6.040"	6.500"	6.960"	2.250"
21	3/4"	1.130"	0.836"	12-1/2"	3.94"	4.50"	5.07"	6.685"	7.250"	7.815"	2.750"
27	1"	1.395"	1.063"	14-3/4"	5.05"	5.75"	6.45"	7.928"	8.625"	9.323"	2.875"
35	1-1/4"	1.740"	1.394"	17-3/4"	6.38"	7.25"	8.12"	9.567"	10.437"	11.307"	3.187"
41	1-1/2"	1.980"	1.624"	19-3/4"	7.26"	8.25"	9.24"	10.635"	11.625"	12.615"	3.375"
53	2"	2.455"	2.083"	22-1/2"	8.27"	9.50"	10.73"	12.086"	13.313"	14.541"	3.813"
63	2-1/2"	2.955"	2.489"	28"	9.02"	10.50"	11.98"	14.776"	16.253"	17.731"	5.753"
78	3"	3.580"	3.080"	32"	11.21"	13.00"	14.79"	17.000"	18.790"	20.580"	5.790"
91	3-1/2"	4.080"	3.570"	39-1/2"	12.96"	15.00"	17.04"	20.920"	22.960"	25.000"	7.960"
103	4"	4.580"	4.050"	39-1/2"	13.71"	16.00"	18.29"	20.890"	23.180"	25.470"	7.180"
129	5"	5.643"	5.073"	59-1/2"	21.18"	24.00"	26.82"	32.079"	34.900"	37.722"	10.900"
155	6"	6.705"	6.093"	76"	26.65"	30.00"	33.35"	41.088"	44.440"	47.793"	14.440"

PLASTI-BOND REDH<sub>2</sub>O<sub>T</sub> factory bent elbows are also available in larger than standard radii to accommodate your special needs. Simply follow the four steps for standard radius elbows on the previous page, then continue with Steps 5 and 6 for large radius elbows. Refer to the table below to determine which radius is available for the size of conduit you need.

To use the Large Radius Elbow table, find the elbow radius required in the first row. Then look down the column to determine which conduit sizes are available in that radius. *Use this information in Steps 5 and 6 on the previous page to build a catalog number.*

### LARGE RADIUS ELBOWS

Radius B in Inches	12"	15"	18"	18"	24"	24"	30"	30"	36"	36"	36"	42"	42"	42"	48"	48"	48"
E Offset	1'5-1/2"	1'9-1/4"	2'1/4"	2'3"	2'8"	2'10"	3'4"	3'5"	3'11"	3'11-1/4"	4'3-1/4"	4'5"	4'6"	4'9-1/2"	5'1/4"	5'1-1/4"	5'3-1/4"
Nipple Length	2'6"	3'0"	3'5"	3'10"	4'6"	4'9"	5'6"	5'9"	6'7"	6'7"	7'3"	7'4"	7'6"	8'1"	8'4"	8'6"	8'10"
Tangent	5-1/2"	6-1/4"	6-1/4"	9"	8"	10"	10"	11"	11"	11-1/4"	15-1/4"	11"	12"	15-1/2"	12-1/4"	13-1/4"	15-1/4"
Available Pipe Sizes	1" to 2"	1" to 3"	1" to 2"	2-1/2" to 4"	1" to 2"	2-1/2" to 4"	1" to 4"	5" only	1" to 4"	5" only	6" only	1" to 4"	5" only	6" only	1" to 4"	5" only	6" only

# PLASTI-BOND REDH<sub>2</sub>OT COATED ELBOWS

## STANDARD RADIUS COATED ELBOWS



### Coated Elbow Specifications

PLASTI-BOND REDH<sub>2</sub>OT factory bent standard radius elbows are available and ready to ship. Factory bent elbows are more accurate, quicker to install and more economical, because they save field bending time and do not waste materials. Electrical continuity is maintained across assembled joints.

- 40 mil Gray PVC exterior coating
- 2 mil Red urethane interior and thread coating
- 12 trade sizes from 1/2" through 6"
- Available in 90°, 60°, 45°, and 30° bends
- Plastic thread protector caps are color coded for quick identification of conduit size.

#### Thread Protector Cap Colors:

- Black- for 1/2" sizes, 1/2", 1-1/2", 2-1/2", 3-1/2"
- Red- for 1/4" sizes, 3/4", 1-1/4"
- Blue- for even sizes, 1", 2", 3", 4", 5", 6"

- UL Listed, (Standard 6) with the PVC as the primary corrosion protection for the steel conduit. The underlying zinc coating is a supplemental corrosion protection coating. Restricted for use with threaded fittings only. Corrosion protection properties of exterior zinc coating were not investigated.

**ETL VERIFIED: Plasti-Bond Elbows are manufactured from ETL-verified conduit.**

### Simple Steps To Ordering

To order the PLASTI-BOND coated elbows follow these simple steps to creating a catalog number:

- 1- Determine Proper Prefix.**
  - For steel conduit elbow use the prefix: **PRHELB-**
  - For aluminum conduit elbow use the prefix: **PRELB-AL-**
- 2-** Add the conduit trade size needed to your catalog prefix. Example - 1/2" steel conduit elbow: **PRHELB-1/2**
- 3-** Enter an "X" to represent "by" as in "2X4". Example - **PRHELB-1/2X**
- 4-** Enter the desired elbow degree of bend. Example - 45°: **PRHELB-1/2X45**

For a coated steel, 1/2" elbow with a 45° bend, the catalog number would be: **PRHELB 1/2X45**

#### STEP 5 AND 6 FOR CONFIGURING CATALOG NUMBERS FOR LARGE RADIUS ELBOWS

- 5-** Enter an "X" to represent "by" as in "2X4". Example - **PRHELB-1/2X45X**
- 6-** Enter the desired elbow radius. Example - 30: **PRHELB-1/2X45X30**

For a coated steel, 1/2" elbow with a 45° bend, and a special radius of 30" the catalog number would be: **PRHELB-1/2X45X30**

This number can then be looked up in the listing of pricing to determine price and availability.

Call 903-843-5591 for custom orders, customer service and more information on **Plasti-Bond REDH<sub>2</sub>OT**.

APPROVAL STAMP

APPLICATION

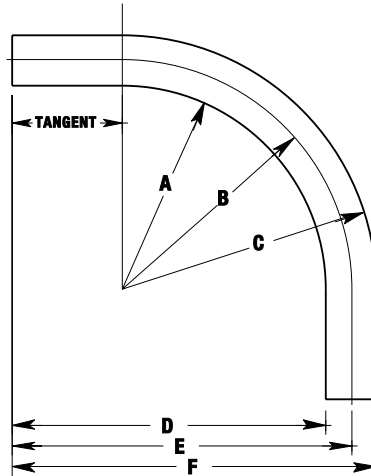
FEATURES

COMPLIANCES

## STANDARD RADIUS COATED ELBOWS

### Dimensions

APPROVAL STAMP



### Diagram Legend

A = Radius at inside of bend.

B = Radius at center line of bend.

C = Radius at outside of bend.

D = Offset at inside of bend.

E = Offset at center of bend.

F = Offset at outside of bend.

### STANDARD RADIUS ELBOWS

Metric Size Designators	Nominal Size Inches	DIAMETERS		Nipple Lengths Inches	RADII			OFFSET			Tangent Inches
		External Inches	Internal Inches		A Inches	(standard) B Inches	C Inches	D Inches	E Inches	F Inches	
16	1/2"	0.920"	0.632"	11-1/4"	3.79"	4.25"	4.71"	6.040"	6.500"	6.960"	2.250"
21	3/4"	1.130"	0.836"	12-1/2"	3.94"	4.50"	5.07"	6.685"	7.250"	7.815"	2.750"
27	1"	1.395"	1.063"	14-3/4"	5.05"	5.75"	6.45"	7.928"	8.625"	9.323"	2.875"
35	1-1/4"	1.740"	1.394"	17-3/4"	6.38"	7.25"	8.12"	9.567"	10.437"	11.307"	3.187"
41	1-1/2"	1.980"	1.624"	19-3/4"	7.26"	8.25"	9.24"	10.635"	11.625"	12.615"	3.375"
53	2"	2.455"	2.083"	22-1/2"	8.27"	9.50"	10.73"	12.086"	13.313"	14.541"	3.813"
63	2-1/2"	2.955"	2.489"	28"	9.02"	10.50"	11.98"	14.776"	16.253"	17.731"	5.753"
78	3"	3.580"	3.080"	32"	11.21"	13.00"	14.79"	17.000"	18.790"	20.580"	5.790"
91	3-1/2"	4.080"	3.570"	39-1/2"	12.96"	15.00"	17.04"	20.920"	22.960"	25.000"	7.960"
103	4"	4.580"	4.050"	39-1/2"	13.71"	16.00"	18.29"	20.890"	23.180"	25.470"	7.180"
129	5"	5.643"	5.073"	59-1/2"	21.18"	24.00"	26.82"	32.079"	34.900"	37.722"	10.900"
155	6"	6.705"	6.093"	76"	26.65"	30.00"	33.35"	41.088"	44.440"	47.793"	14.440"

PLASTI-BOND REDH<sub>2</sub>O<sub>T</sub> factory bent elbows are also available in larger than standard radii to accommodate your special needs. Simply follow the four steps for standard radius elbows on the previous page, then continue with Steps 5 and 6 for large radius elbows. Refer to the table below to determine which radius is available for the size of conduit you need.

To use the Large Radius Elbow table, find the elbow radius required in the first row. Then look down the column to determine which conduit sizes are available in that radius. *Use this information in Steps 5 and 6 on the previous page to build a catalog number.*

### LARGE RADIUS ELBOWS

Radius B in Inches	12"	15"	18"	18"	24"	24"	30"	30"	36"	36"	36"	42"	42"	42"	48"	48"	48"
E Offset	1'5-1/2"	1'9-1/4"	2'1/4"	2'3"	2'8"	2'10"	3'4"	3'5"	3'11"	3'11-1/4"	4'3-1/4"	4'5"	4'6"	4'9-1/2"	5'1/4"	5'1-1/4"	5'3-1/4"
Nipple Length	2'6"	3'0"	3'5"	3'10"	4'6"	4'9"	5'6"	5'9"	6'7"	6'7"	7'3"	7'4"	7'6"	8'1"	8'4"	8'6"	8'10"
Tangent	5-1/2"	6-1/4"	6-1/4"	9"	8"	10"	10"	11"	11"	11-1/4"	15-1/4"	11"	12"	15-1/2"	12-1/4"	13-1/4"	15-1/4"
Available Pipe Sizes	1" to 2"	1" to 3"	1" to 2"	2-1/2" to 4"	1" to 2"	2-1/2" to 4"	1" to 4"	5" only	1" to 4"	5" only	6" only	1" to 4"	5" only	6" only	1" to 4"	5" only	6" only