

**NEW!**  
more on  
reverse

# Metal IN BOX™ Cover Kits for Concrete Floor Boxes

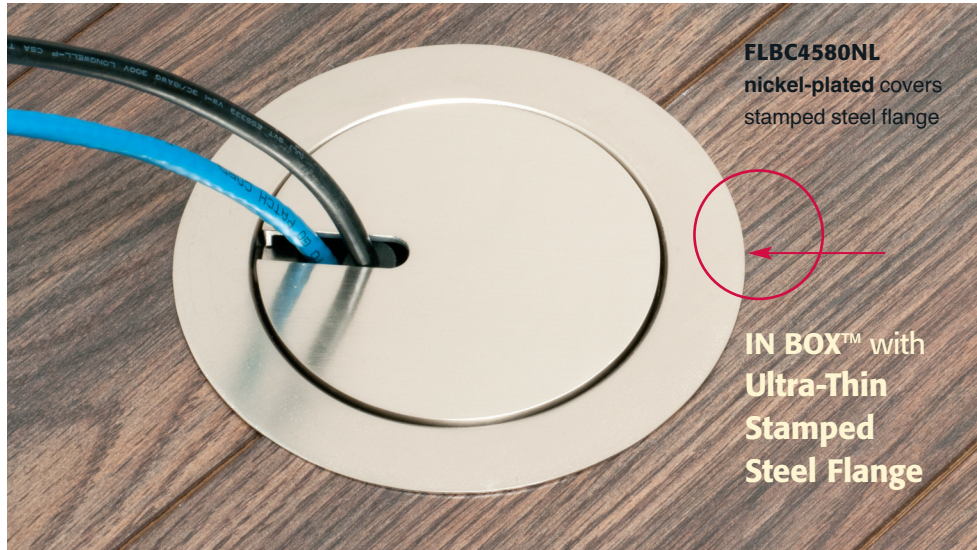
## Ultra-Thin Flanges for Economy and Good Looks



**IN BOX™  
Cover Kits  
with ULTRA THIN  
Flanges  
SAVE 20%**

**NEW!**

**FLBC4580MB**  
brass-plated covers  
stamped steel flange



**FLBC4580NL**  
nickel-plated covers  
stamped steel flange

**IN BOX™ with  
Ultra-Thin  
Stamped  
Steel Flange**



**EASY TO INSTALL**

**1** After concrete has cured and finished floor is done, cut the installed concrete box to the finished floor height. If using the low voltage divider, cut the same amount from the bottom of the divider as you removed from the can.

**2** Wire receptacle per all applicable codes. After installing the finished floor, secure leveling ring assembly to installed concrete can using PVC cement. Caulk underside of flange if desired.

**3 Option 1**  
Install gasket and blank cover with (3) supplied #8 x 5/8" flat head machine screws.

**Option 2**  
Install slotted cover. No screws required. Store blank cover with screws and gasket for future use.

Arlington's FLBC4580 series **IN BOX™ Cover Kits** are the economical solution to a great-looking receptacle installation in a 4.5" concrete floor box.

The new UL Listed FLBC4580MB and FLBC4580NL **COST 20% LESS** than **SOLID brass and nickel-plated brass covers**. They have brass-plated or nickel-plated covers with **ULTRA-THIN, STAMPED STEEL FLANGES** for cost-savings and a flush-to-the-floor installation.



They install *into* the concrete box so they look great and reduce the trip hazard caused by plugs sticking out of the box.

They also come with a divider so you can have power and low voltage in the same box.

Use the *blank* cover when not in use. Substitute the *slotted* cover when cords are plugged in.

IN BOX Cover Kits fit most 4.5" non-metallic concrete boxes, including Arlington's heavy-duty plastic FLBC4500, and FLBC4502 (*sold separately*).



## Arlington®

1 Stauffer Industrial Park  
Scranton, PA 18517  
800/233.4717 • Fax 570/562.0646  
www.aifittings.com

# IN BOX™ Metal Cover Kits for FLBC4500, FLBC4502 boxes

*Install a Receptacle in New Concrete – Flush!*



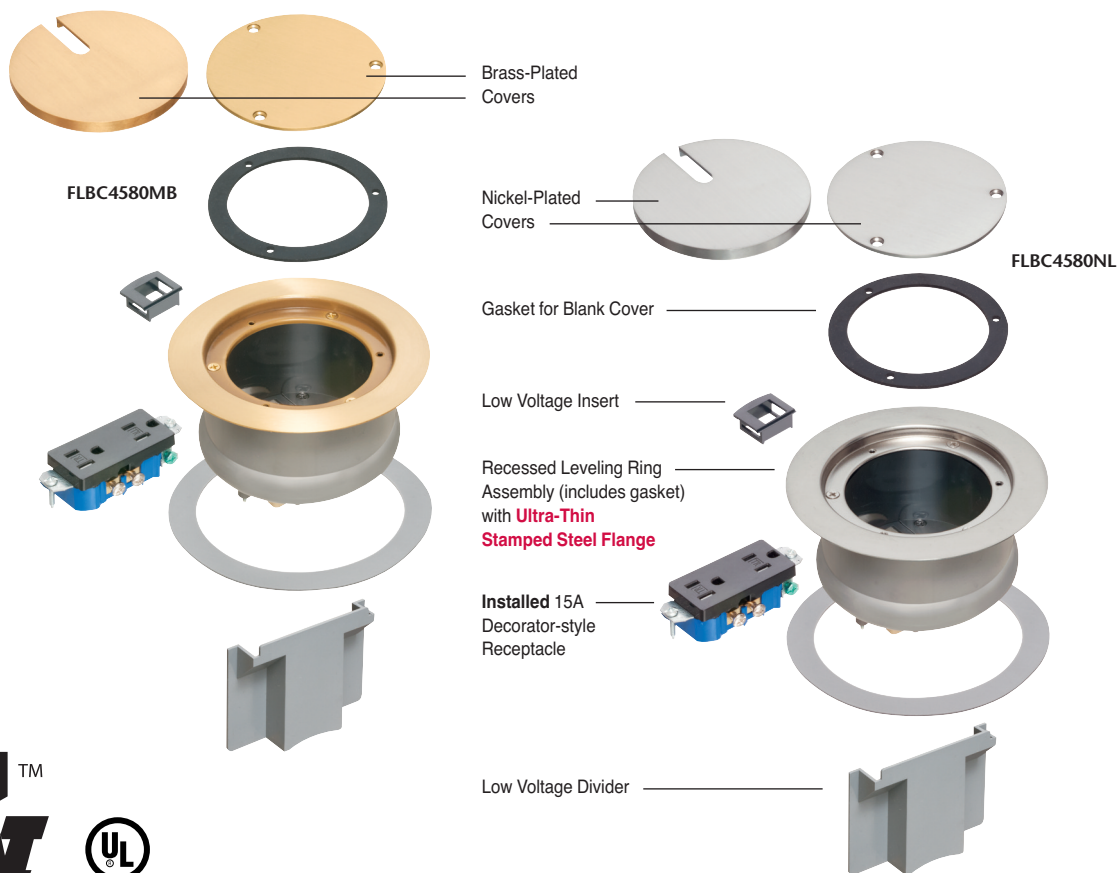
CATALOG NUMBER	UPC/DCI/NAED MFG. #018997	DESCRIPTION FINISH/COLOR, COVER STYLE	UNIT PKG	STD PKG
FLBC4500	22010	4.5" Non-metallic <b>ROUND BOX</b> for Concrete Pours - (4) hubs/conduit plugs, mud cover	1	5
FLBC4502	34004	4.5" Non-metallic <b>ROUND BOX</b> for Concrete Pours - (6) hubs/conduit plugs, mud cover	1	5

## IN BOX™ COVER KIT with STAMPED STEEL FLANGE, PLATED COVERS

FLBC4580MB	22981	RECESSED COVER KIT – Brass-plated, w/ Decorator Style Receptacle	1	1
FLBC4580NL	22982	RECESSED COVER KIT – Nickel-plated, w/ Decorator Style Receptacle	1	1



KITS INCLUDE Leveling ring assembly w/ flange, installed UL Listed, tamper resistant 15A decorator-style receptacle, low voltage keystone holder insert, low voltage divider, blank cover w/ gasket, slotted cover, (3) #8 x 5/8" flat head screws



**Arlington®**

1 Stauffer Industrial Park  
Scranton, PA 18517  
800/233.4717 • Fax 570/562.0646  
www.aifittings.com

Distributed by



# Metal IN BOX™ Cover Kits for Concrete Floor Boxes

**NEW!**  
more on  
reverse

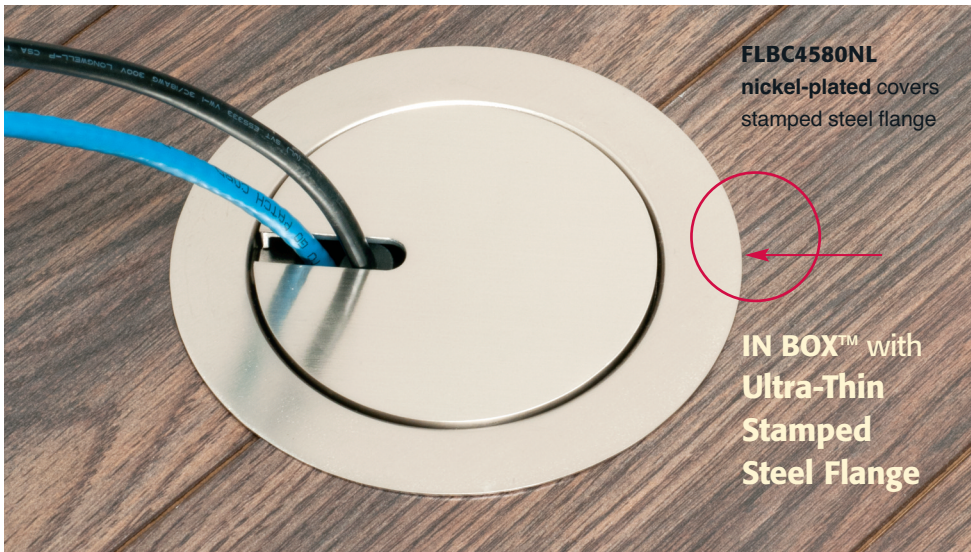
## Ultra-Thin Flanges for Economy and Good Looks



**IN BOX™**  
Cover Kits  
with **ULTRA THIN**  
Flanges  
**SAVE 20%**

**NEW!**

**FLBC4580MB**  
brass-plated covers  
stamped steel flange



**FLBC4580NL**  
nickel-plated covers  
stamped steel flange

**IN BOX™** with  
Ultra-Thin  
Stamped  
Steel Flange



**EASY TO INSTALL**

**1** After concrete has cured and finished floor is done, cut the installed concrete box to the finished floor height. If using the low voltage divider, cut the same amount from the bottom of the divider as you removed from the can.

**2** Wire receptacle per all applicable codes. After installing the finished floor, secure leveling ring assembly to installed concrete can using PVC cement. Caulk underside of flange if desired.

**3 Option 1**  
Install gasket and blank cover with (3) supplied #8 x 5/8" flat head machine screws.

**Option 2**  
Install slotted cover. No screws required. Store blank cover with screws and gasket for future use.

Arlington's FLBC4580 series **IN BOX™** Cover Kits are the economical solution to a great-looking receptacle installation in a 4.5" concrete floor box.

The new UL Listed FLBC4580MB and FLBC4580NL **COST 20% LESS** than **SOLID brass and nickel-plated brass covers**. They have brass-plated or nickel-plated covers with **ULTRA-THIN, STAMPED STEEL FLANGES** for cost-savings and a flush-to-the-floor installation.



They install *into* the concrete box so they look great and reduce the trip hazard caused by plugs sticking out of the box.

They also come with a divider so you can have power and low voltage in the same box.

Use the *blank* cover when not in use. Substitute the *slotted* cover when cords are plugged in.

IN BOX Cover Kits fit most 4.5" non-metallic concrete boxes, including Arlington's heavy-duty plastic FLBC4500, and FLBC4502 (*sold separately*).



**Arlington®**

1 Stauffer Industrial Park  
Scranton, PA 18517  
800/233.4717 • Fax 570/562.0646  
www.aifittings.com

# IN BOX™ Metal Cover Kits for FLBC4500, FLBC4502 boxes

*Install a Receptacle in New Concrete – Flush!*



FLBC4500



FLBC4502

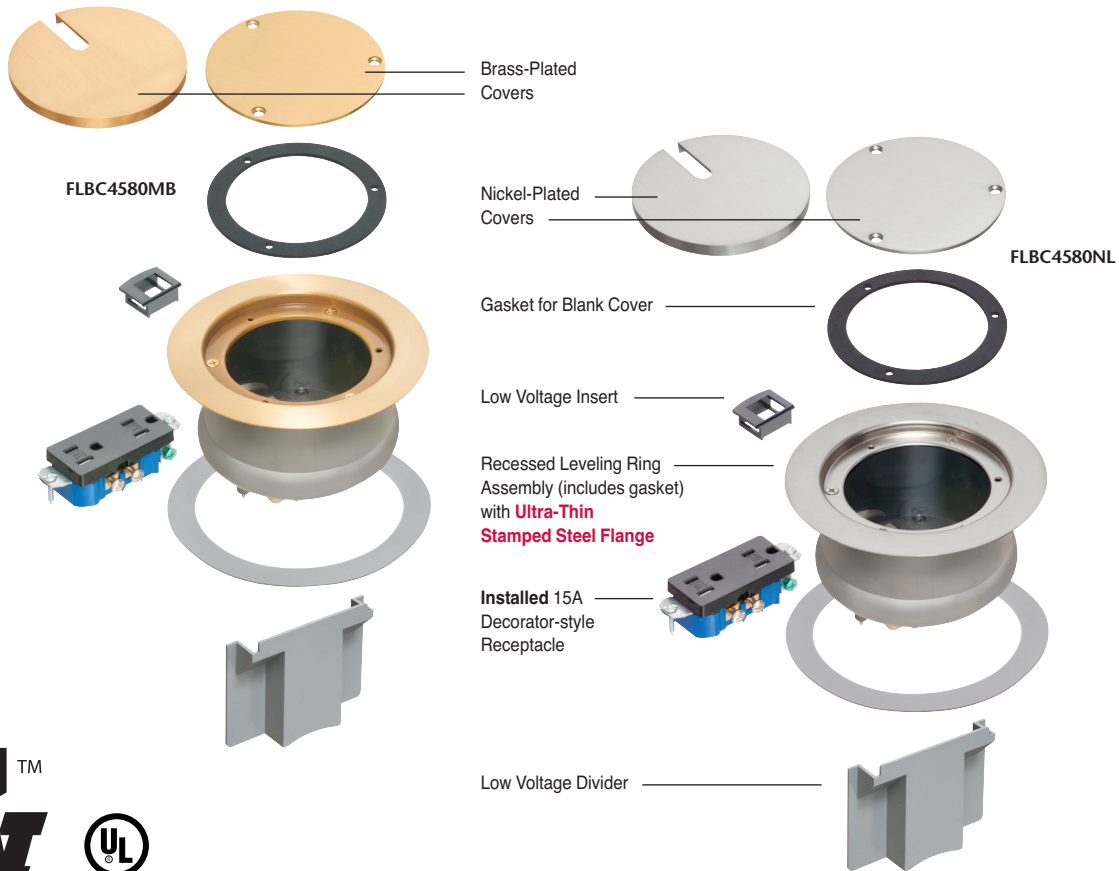
CATALOG NUMBER	UPC/DCI/NAED MFG. #018997	DESCRIPTION FINISH/COLOR, COVER STYLE	UNIT PKG	STD PKG
FLBC4500	22010	4.5" Non-metallic <b>ROUND BOX</b> for Concrete Pours - (4) hubs/conduit plugs, mud cover	1	5
FLBC4502	34004	4.5" Non-metallic <b>ROUND BOX</b> for Concrete Pours - (6) hubs/conduit plugs, mud cover	1	5

## IN BOX™ COVER KIT with STAMPED STEEL FLANGE, PLATED COVERS

FLBC4580MB	22981	RECESSED COVER KIT – Brass-plated, w/ Decorator Style Receptacle	1	1
FLBC4580NL	22982	RECESSED COVER KIT – Nickel-plated, w/ Decorator Style Receptacle	1	1



KITS INCLUDE Leveling ring assembly w/ flange, installed UL Listed, tamper resistant 15A decorator-style receptacle, low voltage keystone holder insert, low voltage divider, blank cover w/ gasket, slotted cover, (3) #8 x 5/8" flat head screws



**Arlington®**

1 Stauffer Industrial Park  
Scranton, PA 18517  
800/233.4717 • Fax 570/562.0646  
www.aifittings.com

Distributed by