



Non-metallic and

Metal Covers



**PUT A RECEPTACLE IN THE FLOOR THE EASY WAY!**

**FLOOR BOX KITS and  
Boxes • Covers • Accessories**





# NON-METALLIC BOXES THREE STYLES



# FLUSH FIT

FOR NEW OR EXISTING FLOORS

Arlington's **UL Listed FLOOR BOX KITS** offer installers the low cost, *convenient* way to put a receptacle in the floor – with a box that installs flush with the floor.

We have a floor box for nearly any job site condition. There's one for new concrete pours, a box for existing floors – and an *adjustable* box that fits most finished floor heights up to 2". All are available with oversized non-metallic or metal covers. And all install flush with the floor surface

**COVERS** Our non-metallic boxes have gasketed covers that prevent water intrusion – with your choice of threaded plugs or flip lids that protect the receptacle when it's not in use. Best of all, they're oversized to hide miscut flooring!

Arlington's single-gang floor box kits are available with metal or non-metallic covers in a variety of colors and finishes.

**Non-metallic** in white, black, brown, light almond and **metal** in brass and nickel-plated brass.



## ON EXISTING FLOORS



Easy to install in an Existing Floor...Cut the opening...install

See pages 8-15  
for **INTERCHANGEABLE, COST-EFFECTIVE**  
**Single and Two-Gang Floor Box Kits, Boxes, Covers and Accessories.**



View Video





# ADJUSTS TO FINAL FLOOR HEIGHT



**FOR FLOORS UP TO 2" THICK**

**FOR NEW CONCRETE POURS**



Flip Lid  
Cover Style

Supplied with 1/8", 1/4", 1/2" and 3/4" spacers to allow for increases in floor thickness; tile, wood, carpet, etc.



Adjustable boxes for varying floor heights



Supplied spacers allow for adjustment to final floor thickness



**FLBA101MB**  
Rectangular,  
Brass Cover

Adjustable Bracket  
positions box  
flush with floor



**FLBCF101MB**  
Brass Cover  
with Flip Lids



# UL LISTED FLOOR BOX KITS

## FOR EXISTING FLOORS

FOR EXISTING FLOORS



FLBR101LA

| CATALOG NUMBER | UPC/DCI/NAED MFG. #018997 | DESCRIPTION   | COVER MATERIAL | COVER STYLE/SHAPE                          | COVER COLOR         | UNIT PKG | STD PKG |
|----------------|---------------------------|---|----------------|--|---------------------|----------|---------|
| FLBRF101W      | 16253                     | 20.0 cubic inch <b>BOX FOR EXISTING FLOORS</b>                                    | Non-Metallic   | RECTANGULAR with <b>TWO FLIP LIDS</b>      | White               | 1        | 4       |
| FLBRF101LA     | 16252                     |   | Non-Metallic   |  | Light Almond        | 1        | 4       |
| FLBRF101BR     | 16251                     |   | Non-Metallic   |  | Brown               | 1        | 4       |
| FLBRF101BL     | 16250                     |   | Non-Metallic   |  | Black               | 1        | 4       |
| FLBRF101MB     | 16254                     |   | Metal          |  | Brass               | 1        | 4       |
| FLBRF101NL     | 16255                     | Flush-to-the-floor Installation. Put a receptacle where you need it...easy.       | Metal          |  | Nickel-plated brass | 1        | 4       |
| FLBR101W       | 04356                     |  | Non-Metallic   | RECTANGULAR with <b>TWO THREADED PLUGS</b> | White               | 1        | 4       |
| FLBR101LA      | 04357                     |   | Non-Metallic   |  | Light Almond        | 1        | 4       |
| FLBR101BR      | 04359                     |   | Non-Metallic   |  | Brown               | 1        | 4       |
| FLBR101BL      | 04358                     |   | Non-Metallic   |  | Black               | 1        | 4       |
| FLBR101MB      | 52263                     |   | Metal          |  | Brass               | 1        | 4       |
| FLBR101NL      | 52453                     |   | Metal          |  | Nickel-plated brass | 1        | 4       |

Includes: Floor Box, duplex receptacle, (1) NM94 connector, back plate on non-metallic covers, gasketed cover, (5) #6-32 cover plate screws and threaded plugs or flip lids.



FLBRF101MB



FLBRF101W



FLBRF101BL

Not shown:

FLBRF101NL (Nickel-plated cover with flip lids)

FLBRF101BR (Non-metallic, brown cover with flip lids)



FLBRF101LA

INSTALLS FLUSH WITH FLOOR



FLBR101MB



FLBR101NL



FLBR101BL



FLBR101BR

Not shown:

FLBR101W (Non-metallic, white cover with threaded plugs)



FLBR101LA



View Video





# UL LISTED FLOOR BOX KITS

**ADJUSTABLE...  
FOR FLOORS  
UP TO 2" H**



| CATALOG NUMBER | UPC/DCI/NAED MFG. #018997 | DESCRIPTION<br>UL Listed Floor Box Kit          | COVER MATERIAL | COVER STYLE/SHAPE         | COVER COLOR         | UNIT PKG | STD PKG |
|----------------|---------------------------|---|----------------|---------------------------|---------------------|----------|---------|
| FLBAF101W      | 04340                     |   | Non-Metallic   |                           | White               | 1        | 4       |
| FLBAF101LA     | 04341                     |   | Non-Metallic   | RECTANGULAR               | Light Almond        | 1        | 4       |
| FLBAF101BR     | 04343                     |   | Non-Metallic   | with                      | Brown               | 1        | 4       |
| FLBAF101BL     | 04342                     |   | Non-Metallic   | <b>TWO FLIP LIDS</b>      | Black               | 1        | 4       |
| FLBAF101MB     | 13805                     |   | Metal          |                           | Brass               | 1        | 4       |
| FLBAF101NL     | 13806                     | 18.3 cubic inch<br><b>ADJUSTABLE BOX</b>        | Metal          |                           | Nickel-plated brass | 1        | 4       |
| FLBA101W       | 04344                     | Fits most finished<br>floor heights<br>up to 2" | Non-Metallic   | RECTANGULAR               | White               | 1        | 4       |
| FLBA101LA      | 04345                     |   | Non-Metallic   | with                      | Light Almond        | 1        | 4       |
| FLBA101BR      | 04347                     |   | Non-Metallic   | <b>TWO THREADED PLUGS</b> | Brown               | 1        | 4       |
| FLBA101BL      | 04346                     |   | Non-Metallic   |                           | Black               | 1        | 4       |
| FLBA101MB      | 52259                     |   | Metal          |                           | Brass               | 1        | 4       |
| FLBA101NL      | 52450                     |   | Metal          |                           | Nickel-plated brass | 1        | 4       |
| FLBAR101W      | 04348                     |   | Non-Metallic   | ROUND                     | White               | 1        | 4       |
| FLBAR101LA     | 04349                     |   | Non-Metallic   | with                      | Light Almond        | 1        | 4       |
| FLBAR101BR     | 04351                     |   | Non-Metallic   | <b>TWO THREADED PLUGS</b> | Brown               | 1        | 4       |
| FLBAR101BL     | 04350                     |   | Non-Metallic   |                           | Black               | 1        | 4       |
| FLBAR101MB     | 52261                     |   | Metal          |                           | Brass               | 1        | 4       |
| FLBAR101NL     | 52451                     |   | Metal          |                           | Nickel-plated brass | 1        | 4       |

**Includes:** Adjustable Floor Box, (1) tamper-resistant ("TR") duplex receptacle, (1) cover plate w/ gasket, flip lids or threaded plugs, (2) #6-32 x 1" long screws, (2) #6 drywall screws, (1) NM94 connector, (1) NM900 plug, (1) cap (covers adjustable screw hole in cover plate)



**NON-METALLIC COVER COLORS**

FLBA101W

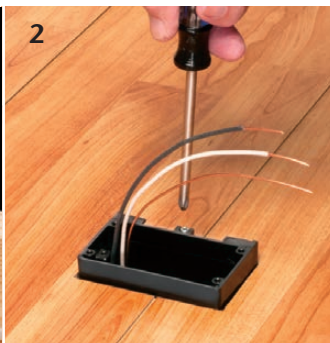
FLBAR101BL

FLBA101MB

FLBA101NL



**1** ADJUSTS TO FINISHED FLOOR HEIGHT



**2**



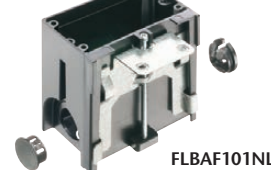
**3**



**4**



FLBAF101MB



FLBAF101NL





# UL LISTED FLOOR BOX KITS

## FOR CONCRETE POURS

FOR NEW CONCRETE



FLBCF101BR



FLBC101BL

| CATALOG NUMBER | UPC/DCI/NAED MFG. #018997 | DESCRIPTION<br>UL Listed Floor Box Kit  | COVER MATERIAL | COVER STYLE/SHAPE                          | COVER COLOR         | UNIT PKG | STD PKG |
|----------------|---------------------------|---|----------------|--|---------------------|----------|---------|
| FLBCF101W      | 06950                     | <b>BOX FOR NEW CONCRETE</b><br>Includes spacers for adjusting box to finished floor height<br> | Non-Metallic   | RECTANGULAR with <b>TWO FLIP LIDS</b>      | White               | 1        | 1       |
| FLBCF101LA     | 06951                     |   | Non-Metallic   |  | Light Almond        | 1        | 1       |
| FLBCF101BR     | 06952                     |   | Non-Metallic   |  | Brown               | 1        | 1       |
| FLBCF101BL     | 06953                     |   | Non-Metallic   |  | Black               | 1        | 1       |
| FLBCF101MB     | 52454                     |   | Metal          |  | Brass               | 1        | 1       |
| FLBCF101NL     | 52455                     |   | Metal          |  | Nickel-plated brass | 1        | 1       |
| FLBC101W       | 04352                     |    | Non-Metallic   | RECTANGULAR with <b>TWO THREADED PLUGS</b> | White               | 1        | 1       |
| FLBC101LA      | 04353                     |   | Non-Metallic   |  | Light Almond        | 1        | 1       |
| FLBC101BR      | 04355                     |   | Non-Metallic   |  | Brown               | 1        | 1       |
| FLBC101BL      | 04354                     |   | Non-Metallic   |  | Black               | 1        | 1       |
| FLBC101MB      | 52265                     |   | Metal          |  | Brass               | 1        | 1       |
| FLBC101NL      | 52452                     |   | Metal          |  | Nickel-plated brass | 1        | 1       |

**Includes:** Concrete box, mud cover, (4) 3/4" plugs, (2) 1" plugs, (1) 1/8" spacer, (1) 1/4" spacer, (1) 1/2" spacer and (1) 3/4" spacer, mounting bracket, duplex receptacle, gasketed cover plate, (5) #6-32 x 1/2" long cover plate screws, (4) #8 x 5/8" long sheet metal screws, (4) #8 x 1-1/4" long sheet metal screws and threaded plugs or flip lids.



(1) Gasketed cover with flip lids **OR** threaded plugs



FLBC101NL



FLBC101MB



View Video





# ROUGH-IN & TRIM KITS

## FOR NEW CONCRETE

### ROUGH-IN KIT

Non-metallic concrete box and plugs



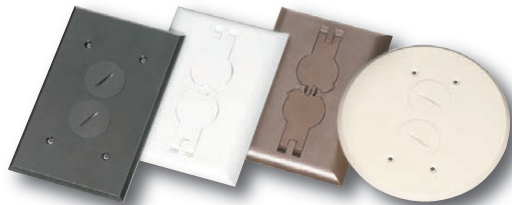
| CATALOG NUMBER | UPC/DCI/NAED MFG. #018997 | DESCRIPTION<br>Rough-In Kit                    | BOX MATERIAL | COLOR        | UNIT PKG | STD PKG |
|----------------|---------------------------|--|--------------|--------------|----------|---------|
| FLBC101RK      | 13820                     | Non-metallic concrete box, plugs and mud cover | Non-Metallic | Gray plastic | 1        | 1       |

Includes: Concrete box, (4) 3/4" plugs, (2) 1" plugs and mud cover (not shown)

### TRIM KIT



| CATALOG NUMBER | UPC/DCI/NAED MFG. #018997 | DESCRIPTION<br>Trim Kit  | COVER MATERIAL | COVER STYLE/SHAPE                                | COVER COLOR         | UNIT PKG | STD PKG |
|----------------|---------------------------|--|----------------|--|---------------------|----------|---------|
| FLBCF101WTK    | 13827                     |  | Non-Metallic   |  | White               | 1        | 1       |
| FLBCF101LATK   | 13828                     | <b>TRIM KIT</b>  | Non-Metallic   | RECTANGULAR COVER with <b>TWO FLIP LIDS</b>      | Light Almond        | 1        | 1       |
| FLBCF101BRTK   | 13829                     | Includes (4) spacers, mounting bracket, receptacle, (1) gasketed cover with flip lids      | Non-Metallic   |  | Brown               | 1        | 1       |
| FLBCF101BLTK   | 13830                     |  | Non-Metallic   |  | Black               | 1        | 1       |
| FLBCF101MBTK   | 13831                     |  | Metal          |  | Brass               | 1        | 1       |
| FLBCF101NLTK   | 13832                     |  | Metal          |  | Nickel-plated brass | 1        | 1       |
| FLBC101WTK     | 13821                     | <b>TRIM KIT</b>  | Non-Metallic   | RECTANGULAR COVER with <b>TWO THREADED PLUGS</b> | White               | 1        | 1       |
| FLBC101LATK    | 13822                     | Includes (4) spacers, mounting bracket, receptacle, (1) gasketed cover with threaded plugs | Non-Metallic   |  | Light Almond        | 1        | 1       |
| FLBC101BRTK    | 13823                     |  | Non-Metallic   |  | Brown               | 1        | 1       |
| FLBC101BLTK    | 13824                     |  | Non-Metallic   |  | Black               | 1        | 1       |
| FLBC101MBTK    | 13825                     |  | Metal          |  | Brass               | 1        | 1       |
| FLBC101NLTK    | 13826                     |  | Metal          |  | Nickel-plated brass | 1        | 1       |



NON-METALLIC COVER COLORS



BRASS & NICKEL-PLATED BRASS METAL COVERS



# INTERCHANGEABLE

## FLOOR BOX KITS, COVERS, ACCESSORIES

# NEW & EXIST

FOR NEW OR EXISTING FLOORS

Arlington's cost-effective **FLOOR BOX KITS** offer installers the low cost, *convenient* way to install a receptacle *flush with the floor* wherever your customer needs one.

This new series of floor box kits, covers and accessories is designed for installation convenience in new and existing floors, and new concrete pours (Page 9) – as well as interchangeability with a variety of other manufacturers' floor boxes.

Available with a **steel** box and a gasketed brass or nickel-plated brass cover to prevent water intrusion, the cover comes with threaded plugs or flip lids to protect the receptacle when it's not in use.

**With a variety of floor box kits and individual metal covers and accessories, Arlington offers just about any option you could possibly need...**

- Single and two-gang floor box kits...and a *combination* box kit with an installed divider for power and low voltage in the same box.
- Rectangular or square metal covers with flip lids or threaded plugs...also sold separately.



Covers with threaded plugs for two-gang box



Cover with flip lids for single gang (or two-gang) box



Combination Floor Box Kit... power/low voltage in the same box



## COVERS TO FIT OTHER MANUFACTURERS' BOXES FOR GOOD LOOKS ANYWHERE!



# ING FLOORS and NEW CONCRETE

Arlington's FLOOR BOX KITS and COVERS **FOR NEW CONCRETE** offer flexibility and convenience.

Made of heavy-duty plastic, our 4.5" non-metallic concrete box is a universal "fits all" size, that accommodates our 6" round covers as well as *most other round covers on the market.*

Our versatile concrete box **covers** are available with flip lids or threaded plugs – in brass or nickel-plated brass. They deliver easier-than-ever installation of receptacles so they'll look great wherever they're installed!

A selection of leveling rings and adapters allows our covers to fit our boxes *and* most other manufacturers' concrete boxes.

For the fastest installation, our trapdoor covers ship *ready to use* with a pre-installed gasket and decorator-style receptacle.



Flip Lid Cover for concrete box



Nickel-plated  
FLBT6615NL  
(closed)



FLBT6615NL  
(open)



Brass Trapdoor style  
FLBT6615MB  
(open and back)





## COVERS WITH FLIP LIDS

**FLB5331NL**  
Single-gang with nickel cover

(exploded views)

**FLB5551MB**  
Two-gang with brass cover



| CATALOG NUMBER  | UPC/DCI/NAED MFG. #018997 | DESCRIPTION<br>COVERS WITH FLIP LIDS   | COVER SIZE & STYLE                | COVER SHAPE | UNIT PKG | STD PKG |
|---|---------------------------|--|-----------------------------------|-------------|----------|---------|
| <b>FLOOR BOX KITS • with STEEL BOX</b>                |                           |  |                                   |             |          |         |
| <b>FLB5331MB</b>                                      | 22019                     | Single-gang steel box, gaskets, (1) duplex receptacle, gasketed cover, mounting screws   | Brass with Two Flip Lids          | ■           | 1        | 4       |
| <b>FLB5331NL</b>                                      | 22020                     | Single-gang steel box, gaskets, (1) duplex receptacle, gasketed cover, mounting screws   | Nickel-plated with Two Flip Lids  | ■           | 1        | 4       |
| <b>FLOOR BOX KITS • with STEEL BOX</b>                |                           |  |                                   |             |          |         |
| <b>FLB5551MB</b>                                      | 22038                     | Two-gang steel box, gaskets, (2) duplex receptacles, gasketed cover, mounting screws   | Brass with Four Flip Lids         | ■           | 1        | 4       |
| <b>FLB5551NL</b>                                      | 22039                     | Two-gang steel box, gaskets, (2) duplex receptacles, gasketed cover, mounting screws   | Nickel-plated w/ Four Flip Lids   | ■           | 1        | 4       |
| <b>METAL GASKETED COVERS with receptacle</b>          |                           |  |                                   |             |          |         |
| <b>FLB5330MB</b>                                      | 22017                     | Brass Cover  | Single-gang with Two Flip Lids    | ■           | 1        | 10      |
| <b>FLB5330NL</b>                                      | 22018                     | Nickel-plated Cover  | Single-gang with Two Flip Lids    | ■           | 1        | 10      |
| <b>FLB5550MB</b>                                      | 22036                     | Brass Cover  | Two-gang with Four Flip Lids      | ■           | 1        | 10      |
| <b>FLB5550NL</b>                                      | 22037                     | Nickel-plated Cover  | Two-gang with Four Flip Lids      | ■           | 1        | 10      |
| <b>FLOOR BOX KITS • with TWO-GANG STEEL COMBO BOX</b> |                           |  |                                   |             |          |         |
| <b>FLB5552MB</b>                                      | 22050                     | Two-gang steel box with installed low voltage divider, gaskets, (1) duplex receptacle, (1) low voltage duplex plate, mounting screws | Brass with Four Flip Lids         | ■           | 1        | 4       |
| <b>FLB5552NL</b>                                      | 22051                     | Two-gang steel box with installed low voltage divider, gaskets, (1) duplex receptacle, (1) low voltage duplex plate, mounting screws | Nickel-plated with Four Flip Lids | ■           | 1        | 4       |



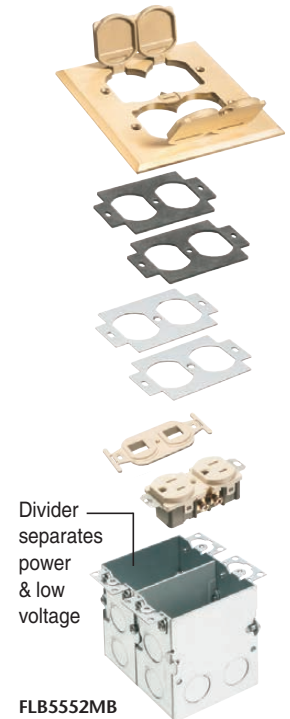
### SINGLE & TWO-GANG FLOOR BOX KITS

#### COMBINATION POWER/LOW VOLTAGE FLOOR BOX KIT



**FLB5552MB**  
Power/Low Voltage Combo Box

**FLB5552NL** combo box with nickel-plated cover



Divider separates power & low voltage

**FLB5552MB**



**Arlington**

| Carlson • T&B                      | Hubbell                           | Lew           | WireMold • P&S                  |
|------------------------------------|-----------------------------------|---------------|---------------------------------|
| 71W-DS                             | B2481 + S3825 (needs receptacle)  | SWB-2-LR      | 880W1818TCAL (needs receptacle) |
| 71W-DS-N                           | B2481 + SA3825 (needs receptacle) | SWB-2-LRA     | 880W1818TCAL (needs receptacle) |
| 62W + (2) 64-DS (needs receptacle) | B2482 + SB3082 + (2) S3925        | SWB-4-PQ-LR   | 880W2827B (needs receptacle)    |
| 62W + (2) 64-AL (needs receptacle) | B2482 + SB3082 + (2) SA3825       | SWB-4-PQ-LR   | 880W2827B (needs receptacle)    |
| P-64-DS                            | S3825                             | RRP-2-LRR     | 828R                            |
| P-64-DS-AL                         | SA3825                            | RRP-2-LR-AR   | 828R-TCAL                       |
| (2) 64-DS                          | SB3084 + S3825                    | RRP-4-BP-LR   | (2) 828R                        |
| (2) 64-DS-AL                       | SB3082 + (2) SA3825               | RRP-4-PQ-LR-A | (2) 828R-TCAL                   |
| ----                               | ----                              | ----          | ----                            |
| ----                               | ----                              | ----          | ----                            |



**ARLINGTON'S METAL GASKETED COVERS with FLIP LIDS**

Arlington's steel floor outlet boxes are compatible with our metal floor box covers on pages 10 and 12. Features include: installed grounding screw, adjustable mounting ears and multiple 1/2" knockouts.



**STEEL OUTLET BOXES FOR NEW OR RETROFIT CONSTRUCTION**

| CATALOG NUMBER | UPC/DCI/NAED MFG. #018997 | DESCRIPTION   | CUBIC INCHES | # OF KNOCKOUTS | UNIT PKG | STD PKG |
|----------------|---------------------------|---|--------------|----------------|----------|---------|
| FLB5319        | 22060                     | Single-gang Steel Floor Outlet Box  | 18.0         | 9              | 1        | 10      |
| FLB5548        | 22061                     | Two-gang Steel Floor Outlet Box   | 36.0         | 14             | 1        | 10      |
| FLB5549        | 22062                     | Two-gang Steel Floor Combination Box with installed (removable) divider for power/low voltage | 36.0         | 14             | 1        | 10      |





## COVERS WITH THREADED PLUGS



FLB5541MB  
Floor Box Kit  
(exploded view)



FLB5321NL  
(exploded view)

| CATALOG NUMBER                              | UPC/DCI/NAED MFG. #018997 | DESCRIPTION<br>COVERS WITH FLIP LIDS  | COVER SIZE & STYLE                     | COVER SHAPE | UNIT PKG | STD PKG |
|---|---------------------------|---|--|-------------|----------|---------|
| <b>FLOOR BOX KIT • with STEEL BOX</b>       |                           |   |  |             |          |         |
| FLB5321MB                                   | 22015                     | Single-gang steel box, gaskets, receptacle, gasketed cover, mounting screws | Brass with Two Threaded Plugs          | ■           | 1        | 4       |
| FLB5321NL                                   | 22016                     |   | Nickel-plated with Two Threaded Plugs  | ■           | 1        | 4       |
| FLB5541MB                                   | 22034                     | Two-gang steel box, gaskets, receptacles, gasketed cover, mounting screws   | Brass with Four Threaded Plugs         | ■           | 1        | 4       |
| FLB5541NL                                   | 22035                     |   | Nickel-plated with Four Threaded Plugs | ■           | 1        | 4       |
| <b>METAL GASKETED COVER with receptacle</b> |                           |   |  |             |          |         |
| FLB5320MB                                   | 22013                     | Brass Cover   | Single-gang with Two Threaded Plugs    | ■           | 1        | 10      |
| FLB5320NL                                   | 22014                     | Nickel-plated Cover   | Single-gang with Two Threaded Plugs    | ■           | 1        | 10      |
| FLB5540MB                                   | 22005                     | Brass Cover   | Two-gang with Four Threaded Plugs      | ■           | 1        | 10      |
| FLB5540NL                                   | 22033                     | Nickel-plated Cover   | Two-gang with Four Threaded Plugs      | ■           | 1        | 10      |



FLB5321MB



FLB5321NL



FLB5541MB



FLB5541NL

### SINGLE & TWO-GANG FLOOR BOX KITS



FLB5541NL



**Arlington**

| Carlson • T&B                        | Hubbell                           | Lew        | WireMold • P&S                   |
|--------------------------------------|-----------------------------------|------------|----------------------------------|
| 61W + P-64-DU (needs receptacle)     | B2481 + S3625 (needs receptacle)  | SWB-2      | 880W1+828SPTC (needs receptacle) |
| 61W + P-64-DU-AL (needs receptacle)  | B2481 + SA3625 (needs receptacle) | SWB-2-NS   | (2) 828SPTC                      |
| 62W + (2) P-64-DU (needs receptacle) | B2482 + SB3084W + SA3625          | SWB-4-PQ   | 880W2                            |
| 62W + (2) P-64-DU-AL                 | B2482 + SA3084 + (2)SA3625        | SWB-4-PQ-A | 880W2 + (2) 828SPTC              |
| P-64-DU                              | S3625                             | RRP-2-BR   | 828SPTC                          |
| P-64-DU-AL                           | SA3625                            | RRP-2-NS   | -----                            |
| (2) P-64-DU                          | SB3084W + (2) SA3625              | RRP-4-BP   | 880W1+(2) 828SPTC                |
| (2) P-64-DU-AL                       | SA3084W + (2) SA3625              | RRP-4-BP-A | (2) 828SPTC                      |



FLB5540MB



FLB5320MB



FLB5540NL



FLB5320NL

**ARLINGTON'S METAL GASKETED COVERS with THREADED PLUGS**

Arlington's single and two-gang steel floor outlet boxes are compatible with our metal floor box covers on pages 10 and 12.

Features include: installed grounding screw, adjustable mounting ears and multiple 1/2" knockouts.



FLB5319



FLB5548

**STEEL OUTLET BOXES FOR NEW OR RETROFIT CONSTRUCTION**

| CATALOG NUMBER | UPC/DCI/NAED MFG. #018997 | DESCRIPTION                        | CUBIC INCHES | # OF KNOCKOUTS | UNIT PKG | STD PKG |
|----------------|---------------------------|------------------------------------|--------------|----------------|----------|---------|
| FLB5319        | 22060                     | Single-gang Steel Floor Outlet Box | 18.0         | 9              | 1        | 10      |
| FLB5548        | 22061                     | Two-gang Steel Floor Outlet Box    | 36.0         | 14             | 1        | 10      |



## FOR NEW CONCRETE POURS



**FLBC4500**  
(Mud cover in place)

| CATALOG NUMBER    | UPC/DCI/NAED MFG. #018997 | DESCRIPTION  | NOTES                         | UNIT PKG | STD PKG |
|-------------------|---------------------------|--|-------------------------------|----------|---------|
| <b>FLBC4500</b>   | 22010                     | 4.5" Non-metallic Round Box for Concrete Pours (conduit plugs, mud cover, voltage divider) |                               | 1        | 5       |
| <b>FLB6230MB</b>  | 22025                     | Cover Kit 6" Round, Brass w two flip lids  | *hole pattern fits FLBC4500LR | 1        | 10      |
| <b>FLB6230NL</b>  | 22026                     | Cover Kit 6" Round, Nickel-plated w two flip lids  | *hole pattern fits FLBC4500LR | 1        | 10      |
| <b>FLB6220MB</b>  | 22021                     | Cover Kit 6" Round, Brass w two threaded plugs   | *hole pattern fits FLBC4500LR | 1        | 10      |
| <b>FLB6220NL</b>  | 22022                     | Cover Kit 6" Round, Nickel-plated w two threaded plugs                                     | *hole pattern fits FLBC4500LR | 1        | 10      |
| <b>FLBC4500LR</b> | 22011                     | Leveling Ring for Arlington FLBC4500 & above round covers (has bosses for cover mounting)  |                               | 1        | 10      |
| <b>FLBT6615MB</b> | 22030                     | Trapdoor Cover Round, Brass. Pre-mounted gasket & decorator-style 15A receptacle           |                               | 1        | 10      |
| <b>FLBT6615NL</b> | 22031                     | Trapdoor Cover Round, Nickel-plated. Pre-mounted gasket & decorator-style 15A receptacle   |                               | 1        | 10      |
| <b>FLBT6615LR</b> | 22029                     | Leveling Ring for Arlington FLBC4500 box w FLBT6615 trapdoor style cover                   |                               | 1        | 10      |
| <b>FLBC4500AR</b> | 22004                     | Oversized Adapter Ring for 5" diameter concrete boxes                                      |                               | 1        | 10      |
| <b>FLBC4500Y</b>  | 22012                     | "Y" Adapter - Provides (2) 1" openings for conduit entering 1" hub                         |                               | 1        | 10      |

### NON-METALLIC CONCRETE BOX



**FLBC4500**  
Exploded view of components. (Mud cover not shown)

### COVER KITS with FLIP LIDS

**FLB6230MB**  
Brass cover

Includes cover with flip lids, gaskets, receptacle.

Also available with Nickel-plated cover **FLB6230NL** (not shown)



### COVER KITS with THREADED PLUGS

**FLB6220MB**  
Brass cover

Includes cover with threaded plugs, gaskets, receptacle.

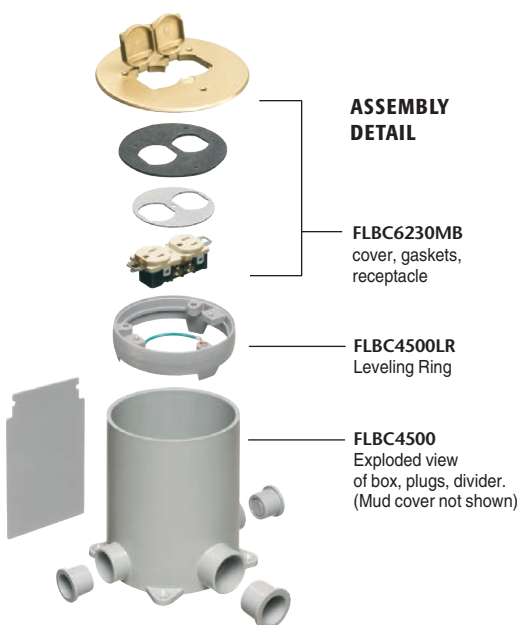
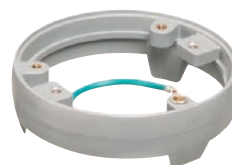
**FLB6220NL**  
Nickel-plated cover

(NOT SHOWN)

### LEVELING RING

Hole pattern fits above round covers:  
**FLB6230MB**  
**FLB6230NL**  
**FLB6220MB**  
**FLB6220NL**

**FLBC4500LR**



| Carlson • T&B   | Hubbell       | Lew      | WireMold • P&S         |
|-----------------|---------------|----------|------------------------|
| E971FB, 68P     | PFB1          | FB       | 881 E971FB, 68P        |
| E97BR2, P60DS   | S3925 + S3082 | TCP-2-LR | 895T E97BR2, P60DS     |
| E97SS2, P60CACP | -----         | TCP-LR-A | 895 E97SS2, P60CACP    |
| P-60-DUP-60-CP  | S3725 + S3082 | TCP-2    | 895SP P-60-DUP-60-CP   |
| -----           | -----         | -----    | -----                  |
| E97ABR2, 68-PAR | PFBA1         | LRA      | 881ADP E97ABR2, 68-PAR |
| -----           | -----         | PUFP-BD  | -----                  |
| -----           | -----         | PUFF-SD  | -----                  |
| -----           | -----         | PUFF-LRA | -----                  |
| -----           | -----         | LRA-HT   | -----                  |
| E972Y           | PFBYA1        | Y-CONN   | N/A E972Y              |

**ARLINGTON'S TRAPDOOR COVERS & LEVELING RING**



**FLBT6615MB**  
Trapdoor cover  
(open & closed)



**FLBT6615NL**  
Trapdoor cover



**FLBT6615LR**  
Leveling Ring  
for trapdoor covers



**FLBT6615MB**  
Trapdoor cover  
on **FLBC4500**  
Concrete box



**FLBT6615NL**

**ARLINGTON'S ADAPTERS**



**FLBC4500AR**  
Oversized  
Adapter Ring



**FLBC4500Y**  
"Y" Adapter





# FLOOR BOX KITS

FOR GOOD  
LOOKS  
ANYWHERE



FLOOR  
BOX KITS

and INTERCHANGEABLE FLOOR BOXES • COVERS • ACCESSORIES



**Arlington**

Distributed by





Non-metallic and

Metal Covers



**PUT A RECEPTACLE IN THE FLOOR THE EASY WAY!**

**FLOOR BOX KITS and  
Boxes • Covers • Accessories**





# NON-METALLIC BOXES THREE STYLES



# FLUSH FIT

FOR NEW OR EXISTING FLOORS

Arlington's **UL Listed FLOOR BOX KITS** offer installers the low cost, *convenient* way to put a receptacle in the floor – with a box that installs flush with the floor.

We have a floor box for nearly any job site condition. There's one for new concrete pours, a box for existing floors – and an *adjustable* box that fits most finished floor heights up to 2". All are available with oversized non-metallic or metal covers. And all install flush with the floor surface

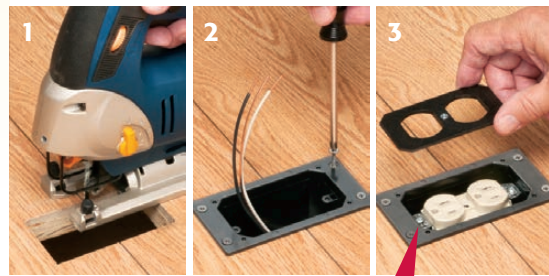
**COVERS** Our non-metallic boxes have gasketed covers that prevent water intrusion – with your choice of threaded plugs or flip lids that protect the receptacle when it's not in use. Best of all, they're oversized to hide miscut flooring!

Arlington's single-gang floor box kits are available with metal or non-metallic covers in a variety of colors and finishes.

**Non-metallic** in white, black, brown, light almond and **metal** in brass and nickel-plated brass.



## ON EXISTING FLOORS



Easy to install in an Existing Floor...Cut the opening...install

See pages 8-15 for **INTERCHANGEABLE, COST-EFFECTIVE Single and Two-Gang Floor Box Kits, Boxes, Covers and Accessories.**



View Video



FLBR101BR  
Rectangular,  
Brown Cover



# ADJUSTS TO FINAL FLOOR HEIGHT



**FOR FLOORS UP TO 2" THICK**

**FOR NEW CONCRETE POURS**



Flip Lid  
Cover Style

Supplied with 1/8", 1/4", 1/2" and 3/4" spacers to allow for increases in floor thickness; tile, wood, carpet, etc.



Adjustable boxes for varying floor heights



Supplied spacers allow for adjustment to final floor thickness



**FLBA101MB**  
Rectangular,  
Brass Cover

Adjustable Bracket  
positions box  
flush with floor



**FLBCF101MB**  
Brass Cover  
with Flip Lids




# UL LISTED FLOOR BOX KITS

## FOR EXISTING FLOORS

FOR EXISTING FLOORS



FLBR101LA

| CATALOG NUMBER | UPC/DCI/NAED MFG. #018997 | DESCRIPTION   | COVER MATERIAL | COVER STYLE/SHAPE                          | COVER COLOR         | UNIT PKG | STD PKG |
|----------------|---------------------------|---|----------------|--|---------------------|----------|---------|
| FLBRF101W      | 16253                     | 20.0 cubic inch <b>BOX FOR EXISTING FLOORS</b>                                    | Non-Metallic   | RECTANGULAR with <b>TWO FLIP LIDS</b>      | White               | 1        | 4       |
| FLBRF101LA     | 16252                     |   | Non-Metallic   |  | Light Almond        | 1        | 4       |
| FLBRF101BR     | 16251                     |   | Non-Metallic   |  | Brown               | 1        | 4       |
| FLBRF101BL     | 16250                     |   | Non-Metallic   |  | Black               | 1        | 4       |
| FLBRF101MB     | 16254                     |   | Metal          |  | Brass               | 1        | 4       |
| FLBRF101NL     | 16255                     | Flush-to-the-floor Installation. Put a receptacle where you need it...easy.       | Metal          |  | Nickel-plated brass | 1        | 4       |
| FLBR101W       | 04356                     |  | Non-Metallic   | RECTANGULAR with <b>TWO THREADED PLUGS</b> | White               | 1        | 4       |
| FLBR101LA      | 04357                     |   | Non-Metallic   |  | Light Almond        | 1        | 4       |
| FLBR101BR      | 04359                     |   | Non-Metallic   |  | Brown               | 1        | 4       |
| FLBR101BL      | 04358                     |   | Non-Metallic   |  | Black               | 1        | 4       |
| FLBR101MB      | 52263                     |   | Metal          |  | Brass               | 1        | 4       |
| FLBR101NL      | 52453                     |   | Metal          |  | Nickel-plated brass | 1        | 4       |

Includes: Floor Box, duplex receptacle, (1) NM94 connector, back plate on non-metallic covers, gasketed cover, (5) #6-32 cover plate screws and threaded plugs or flip lids.



FLBRF101MB



FLBRF101W



FLBRF101BL

Not shown:

FLBRF101NL (Nickel-plated cover with flip lids)

FLBRF101BR (Non-metallic, brown cover with flip lids)



FLBRF101LA

INSTALLS FLUSH WITH FLOOR



FLBR101MB



FLBR101NL



FLBR101BL



FLBR101BR

Not shown:

FLBR101W (Non-metallic, white cover with threaded plugs)



FLBR101LA



View Video



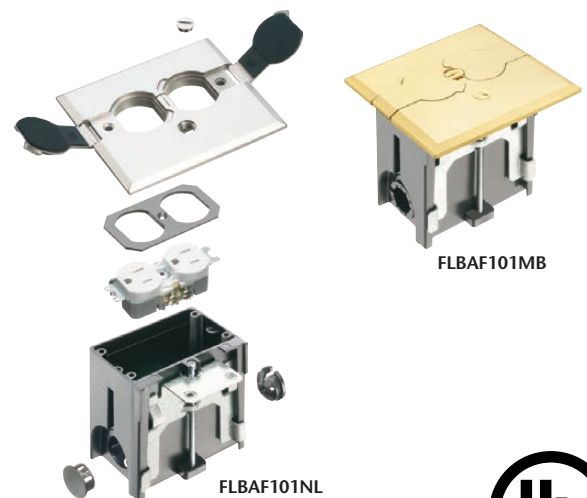
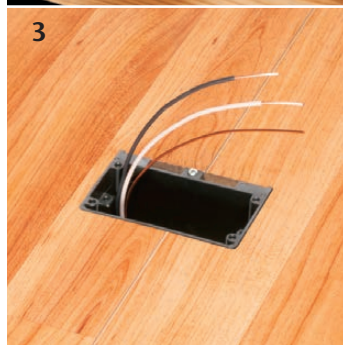
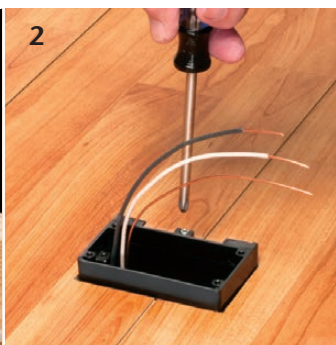
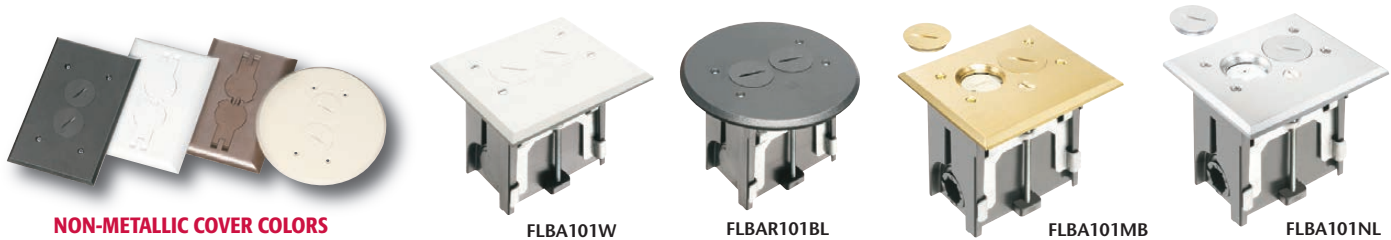
# UL LISTED FLOOR BOX KITS

**ADJUSTABLE...  
FOR FLOORS  
UP TO 2" H**



| CATALOG NUMBER | UPC/DCI/NAED MFG. #018997 | DESCRIPTION<br>UL Listed Floor Box Kit          | COVER MATERIAL | COVER STYLE/SHAPE                 | COVER COLOR         | UNIT PKG | STD PKG |
|----------------|---------------------------|---|----------------|-----------------------------------|---------------------|----------|---------|
| FLBAF101W      | 04340                     |   | Non-Metallic   |                                   | White               | 1        | 4       |
| FLBAF101LA     | 04341                     |   | Non-Metallic   | RECTANGULAR                       | Light Almond        | 1        | 4       |
| FLBAF101BR     | 04343                     |   | Non-Metallic   | with<br><b>TWO FLIP LIDS</b>      | Brown               | 1        | 4       |
| FLBAF101BL     | 04342                     |   | Non-Metallic   |                                   | Black               | 1        | 4       |
| FLBAF101MB     | 13805                     |   | Metal          |                                   | Brass               | 1        | 4       |
| FLBAF101NL     | 13806                     | 18.3 cubic inch<br><b>ADJUSTABLE BOX</b>        | Metal          |                                   | Nickel-plated brass | 1        | 4       |
| FLBA101W       | 04344                     | Fits most finished<br>floor heights<br>up to 2" | Non-Metallic   | RECTANGULAR                       | White               | 1        | 4       |
| FLBA101LA      | 04345                     |   | Non-Metallic   | with<br><b>TWO THREADED PLUGS</b> | Light Almond        | 1        | 4       |
| FLBA101BR      | 04347                     |   | Non-Metallic   |                                   | Brown               | 1        | 4       |
| FLBA101BL      | 04346                     |   | Non-Metallic   |                                   | Black               | 1        | 4       |
| FLBA101MB      | 52259                     |   | Metal          |                                   | Brass               | 1        | 4       |
| FLBA101NL      | 52450                     |   | Metal          |                                   | Nickel-plated brass | 1        | 4       |
| FLBAR101W      | 04348                     |   | Non-Metallic   | ROUND                             | White               | 1        | 4       |
| FLBAR101LA     | 04349                     |   | Non-Metallic   | with<br><b>TWO THREADED PLUGS</b> | Light Almond        | 1        | 4       |
| FLBAR101BR     | 04351                     |   | Non-Metallic   |                                   | Brown               | 1        | 4       |
| FLBAR101BL     | 04350                     |   | Non-Metallic   |                                   | Black               | 1        | 4       |
| FLBAR101MB     | 52261                     |   | Metal          |                                   | Brass               | 1        | 4       |
| FLBAR101NL     | 52451                     |   | Metal          |                                   | Nickel-plated brass | 1        | 4       |

**Includes:** Adjustable Floor Box, (1) tamper-resistant ("TR") duplex receptacle, (1) cover plate w/ gasket, flip lids or threaded plugs, (2) #6-32 x 1" long screws, (2) #6 drywall screws, (1) NM94 connector, (1) NM900 plug, (1) cap (covers adjustable screw hole in cover plate)





# UL LISTED FLOOR BOX KITS

## FOR CONCRETE POURS

FOR NEW CONCRETE



FLBCF101BR



FLBC101BL

| CATALOG NUMBER | UPC/DCI/NAED MFG. #018997 | DESCRIPTION<br>UL Listed Floor Box Kit  | COVER MATERIAL | COVER STYLE/SHAPE                          | COVER COLOR         | UNIT PKG | STD PKG |
|----------------|---------------------------|---|----------------|--|---------------------|----------|---------|
| FLBCF101W      | 06950                     | <b>BOX FOR NEW CONCRETE</b><br>Includes spacers for adjusting box to finished floor height<br> | Non-Metallic   | RECTANGULAR with <b>TWO FLIP LIDS</b>      | White               | 1        | 1       |
| FLBCF101LA     | 06951                     |   | Non-Metallic   |  | Light Almond        | 1        | 1       |
| FLBCF101BR     | 06952                     |   | Non-Metallic   |  | Brown               | 1        | 1       |
| FLBCF101BL     | 06953                     |   | Non-Metallic   |  | Black               | 1        | 1       |
| FLBCF101MB     | 52454                     |   | Metal          |  | Brass               | 1        | 1       |
| FLBCF101NL     | 52455                     |   | Metal          |  | Nickel-plated brass | 1        | 1       |
| FLBC101W       | 04352                     |    | Non-Metallic   | RECTANGULAR with <b>TWO THREADED PLUGS</b> | White               | 1        | 1       |
| FLBC101LA      | 04353                     |   | Non-Metallic   |  | Light Almond        | 1        | 1       |
| FLBC101BR      | 04355                     |   | Non-Metallic   |  | Brown               | 1        | 1       |
| FLBC101BL      | 04354                     |   | Non-Metallic   |  | Black               | 1        | 1       |
| FLBC101MB      | 52265                     |   | Metal          |  | Brass               | 1        | 1       |
| FLBC101NL      | 52452                     |   | Metal          |  | Nickel-plated brass | 1        | 1       |

**Includes:** Concrete box, mud cover, (4) 3/4" plugs, (2) 1" plugs, (1) 1/8" spacer, (1) 1/4" spacer, (1) 1/2" spacer and (1) 3/4" spacer, mounting bracket, duplex receptacle, gasketed cover plate, (5) #6-32 x 1/2" long cover plate screws, (4) #8 x 5/8" long sheet metal screws, (4) #8 x 1-1/4" long sheet metal screws and threaded plugs or flip lids.



(1) Gasketed cover with flip lids **OR** threaded plugs



FLBC101NL



FLBC101MB



Receptacle

Mounting bracket

Spacers position box flush with finished floor height

Non-metallic concrete box, plugs



View Video



# ROUGH-IN & TRIM KITS

## FOR NEW CONCRETE

### ROUGH-IN KIT

Non-metallic concrete box and plugs



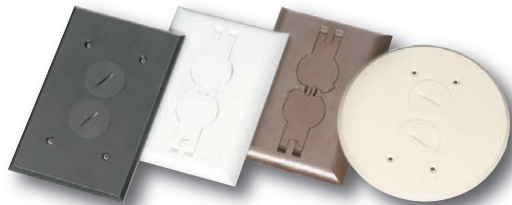
| CATALOG NUMBER | UPC/DCI/NAED MFG. #018997 | DESCRIPTION<br>Rough-In Kit                    | BOX MATERIAL | COLOR        | UNIT PKG | STD PKG |
|----------------|---------------------------|--|--------------|--------------|----------|---------|
| FLBC101RK      | 13820                     | Non-metallic concrete box, plugs and mud cover | Non-Metallic | Gray plastic | 1        | 1       |

Includes: Concrete box, (4) 3/4" plugs, (2) 1" plugs and mud cover (not shown)

### TRIM KIT



| CATALOG NUMBER | UPC/DCI/NAED MFG. #018997 | DESCRIPTION<br>Trim Kit  | COVER MATERIAL | COVER STYLE/SHAPE                                | COVER COLOR         | UNIT PKG | STD PKG |
|----------------|---------------------------|--|----------------|--|---------------------|----------|---------|
| FLBCF101WTK    | 13827                     |  | Non-Metallic   |  | White               | 1        | 1       |
| FLBCF101LATK   | 13828                     | <b>TRIM KIT</b>  | Non-Metallic   | RECTANGULAR COVER with <b>TWO FLIP LIDS</b>      | Light Almond        | 1        | 1       |
| FLBCF101BRTK   | 13829                     | Includes (4) spacers, mounting bracket, receptacle, (1) gasketed cover with flip lids      | Non-Metallic   |  | Brown               | 1        | 1       |
| FLBCF101BLTK   | 13830                     |  | Non-Metallic   |  | Black               | 1        | 1       |
| FLBCF101MBTK   | 13831                     |  | Metal          |  | Brass               | 1        | 1       |
| FLBCF101NLTK   | 13832                     |  | Metal          |  | Nickel-plated brass | 1        | 1       |
| FLBC101WTK     | 13821                     | <b>TRIM KIT</b>  | Non-Metallic   | RECTANGULAR COVER with <b>TWO THREADED PLUGS</b> | White               | 1        | 1       |
| FLBC101LATK    | 13822                     | Includes (4) spacers, mounting bracket, receptacle, (1) gasketed cover with threaded plugs | Non-Metallic   |  | Light Almond        | 1        | 1       |
| FLBC101BRTK    | 13823                     |  | Non-Metallic   |  | Brown               | 1        | 1       |
| FLBC101BLTK    | 13824                     |  | Non-Metallic   |  | Black               | 1        | 1       |
| FLBC101MBTK    | 13825                     |  | Metal          |  | Brass               | 1        | 1       |
| FLBC101NLTK    | 13826                     |  | Metal          |  | Nickel-plated brass | 1        | 1       |



NON-METALLIC COVER COLORS



BRASS & NICKEL-PLATED BRASS METAL COVERS



# INTERCHANGEABLE

## FLOOR BOX KITS, COVERS, ACCESSORIES

# NEW & EXIST

FOR NEW OR EXISTING FLOORS

Arlington's cost-effective **FLOOR BOX KITS** offer installers the low cost, *convenient* way to install a receptacle *flush with the floor* wherever your customer needs one.

This new series of floor box kits, covers and accessories is designed for installation convenience in new and existing floors, and new concrete pours (Page 9) – as well as interchangeability with a variety of other manufacturers' floor boxes.

Available with a **steel** box and a gasketed brass or nickel-plated brass cover to prevent water intrusion, the cover comes with threaded plugs or flip lids to protect the receptacle when it's not in use.

**With a variety of floor box kits and individual metal covers and accessories, Arlington offers just about any option you could possibly need...**

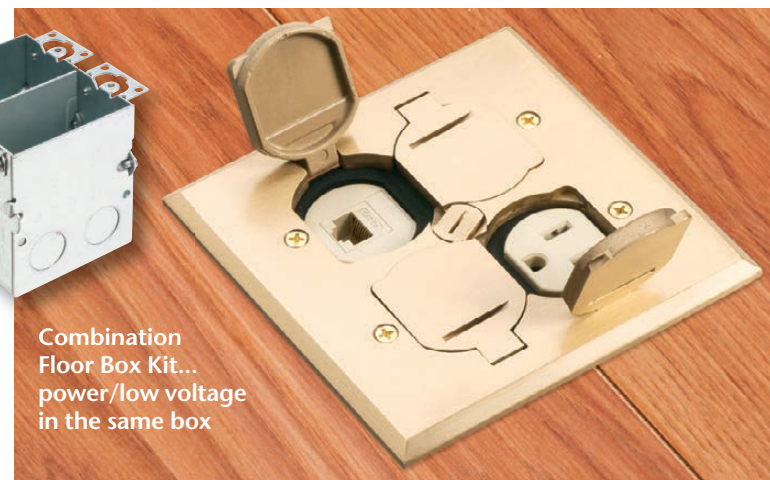
- Single and two-gang floor box kits...and a *combination* box kit with an installed divider for power and low voltage in the same box.
- Rectangular or square metal covers with flip lids or threaded plugs...also sold separately.



Covers with threaded plugs for two-gang box



Cover with flip lids for single gang (or two-gang) box



Combination Floor Box Kit... power/low voltage in the same box

## COVERS TO FIT OTHER MANUFACTURERS' BOXES FOR GOOD LOOKS ANYWHERE!



# ING FLOORS and NEW CONCRETE

Arlington's FLOOR BOX KITS and COVERS **FOR NEW CONCRETE** offer flexibility and convenience.

Made of heavy-duty plastic, our 4.5" non-metallic **concrete box**

is a universal "fits all" size, that accommodates our 6" round covers as well as *most other round covers on the market.*

Our versatile concrete box **covers** are available with flip lids or threaded plugs – in brass or nickel-plated brass. They deliver easier-than-ever installation of receptacles so they'll look great wherever they're installed!

A selection of leveling rings and adapters allows our covers to fit our boxes *and* most other manufacturers' concrete boxes.

For the fastest installation, our trapdoor covers ship *ready to use* with a pre-installed gasket and decorator-style receptacle.



Flip Lid Cover for concrete box



Nickel-plated  
FLBT6615NL  
(closed)



FLBT6615NL  
(open)



Brass Trapdoor style  
FLBT6615MB  
(open and back)





## COVERS WITH FLIP LIDS

**FLB5331NL**  
Single-gang with nickel cover

(exploded views)

**FLB5551MB**  
Two-gang with brass cover



| CATALOG NUMBER  | UPC/DCI/NAED MFG. #018997 | DESCRIPTION<br>COVERS WITH FLIP LIDS   | COVER SIZE & STYLE                | COVER SHAPE | UNIT PKG | STD PKG |
|---|---------------------------|--|-----------------------------------|-------------|----------|---------|
| <b>FLOOR BOX KITS • with STEEL BOX</b>                |                           |  |                                   |             |          |         |
| <b>FLB5331MB</b>                                      | 22019                     | Single-gang steel box, gaskets, (1) duplex receptacle, gasketed cover, mounting screws   | Brass with Two Flip Lids          | ■           | 1        | 4       |
| <b>FLB5331NL</b>                                      | 22020                     | Single-gang steel box, gaskets, (1) duplex receptacle, gasketed cover, mounting screws   | Nickel-plated with Two Flip Lids  | ■           | 1        | 4       |
| <b>FLOOR BOX KITS • with STEEL BOX</b>                |                           |  |                                   |             |          |         |
| <b>FLB5551MB</b>                                      | 22038                     | Two-gang steel box, gaskets, (2) duplex receptacles, gasketed cover, mounting screws   | Brass with Four Flip Lids         | ■           | 1        | 4       |
| <b>FLB5551NL</b>                                      | 22039                     | Two-gang steel box, gaskets, (2) duplex receptacles, gasketed cover, mounting screws   | Nickel-plated w/ Four Flip Lids   | ■           | 1        | 4       |
| <b>METAL GASKETED COVERS with receptacle</b>          |                           |  |                                   |             |          |         |
| <b>FLB5330MB</b>                                      | 22017                     | Brass Cover  | Single-gang with Two Flip Lids    | ■           | 1        | 10      |
| <b>FLB5330NL</b>                                      | 22018                     | Nickel-plated Cover  | Single-gang with Two Flip Lids    | ■           | 1        | 10      |
| <b>FLB5550MB</b>                                      | 22036                     | Brass Cover  | Two-gang with Four Flip Lids      | ■           | 1        | 10      |
| <b>FLB5550NL</b>                                      | 22037                     | Nickel-plated Cover  | Two-gang with Four Flip Lids      | ■           | 1        | 10      |
| <b>FLOOR BOX KITS • with TWO-GANG STEEL COMBO BOX</b> |                           |  |                                   |             |          |         |
| <b>FLB5552MB</b>                                      | 22050                     | Two-gang steel box with installed low voltage divider, gaskets, (1) duplex receptacle, (1) low voltage duplex plate, mounting screws | Brass with Four Flip Lids         | ■           | 1        | 4       |
| <b>FLB5552NL</b>                                      | 22051                     | Two-gang steel box with installed low voltage divider, gaskets, (1) duplex receptacle, (1) low voltage duplex plate, mounting screws | Nickel-plated with Four Flip Lids | ■           | 1        | 4       |



## SINGLE & TWO-GANG FLOOR BOX KITS

### COMBINATION POWER/LOW VOLTAGE FLOOR BOX KIT



**FLB5552MB**  
Power/Low Voltage Combo Box

**FLB5552NL** combo box with nickel-plated cover



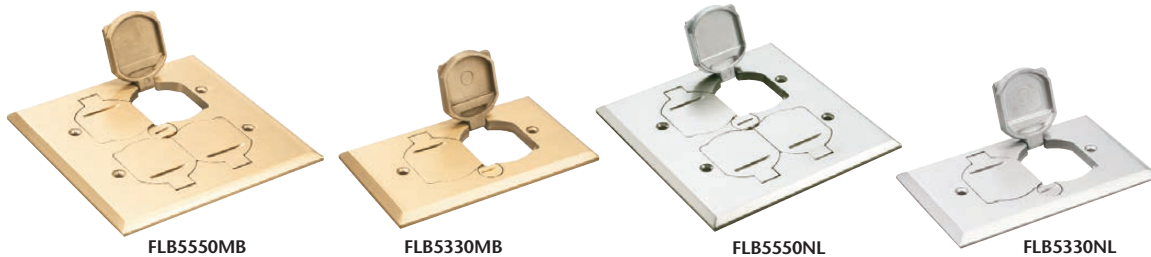
Divider separates power & low voltage

**FLB5552MB**



**Arlington**

| Carlson • T&B                      | Hubbell                           | Lew           | WireMold • P&S                  |
|------------------------------------|-----------------------------------|---------------|---------------------------------|
| 71W-DS                             | B2481 + S3825 (needs receptacle)  | SWB-2-LR      | 880W1818TCAL (needs receptacle) |
| 71W-DS-N                           | B2481 + SA3825 (needs receptacle) | SWB-2-LRA     | 880W1818TCAL (needs receptacle) |
| 62W + (2) 64-DS (needs receptacle) | B2482 + SB3082 + (2) S3925        | SWB-4-PQ-LR   | 880W2827B (needs receptacle)    |
| 62W + (2) 64-AL (needs receptacle) | B2482 + SB3082 + (2) SA3825       | SWB-4-PQ-LR   | 880W2827B (needs receptacle)    |
| P-64-DS                            | S3825                             | RRP-2-LRR     | 828R                            |
| P-64-DS-AL                         | SA3825                            | RRP-2-LR-AR   | 828R-TCAL                       |
| (2) 64-DS                          | SB3084 + S3825                    | RRP-4-BP-LR   | (2) 828R                        |
| (2) 64-DS-AL                       | SB3082 + (2) SA3825               | RRP-4-PQ-LR-A | (2) 828R-TCAL                   |
| ----                               | ----                              | ----          | ----                            |
| ----                               | ----                              | ----          | ----                            |



**ARLINGTON'S METAL GASKETED COVERS with FLIP LIDS**

Arlington's steel floor outlet boxes are compatible with our metal floor box covers on pages 10 and 12. Features include: installed grounding screw, adjustable mounting ears and multiple 1/2" knockouts.



**STEEL OUTLET BOXES FOR NEW OR RETROFIT CONSTRUCTION**

| CATALOG NUMBER | UPC/DCI/NAED MFG. #018997 | DESCRIPTION   | CUBIC INCHES | # OF KNOCKOUTS | UNIT PKG | STD PKG |
|----------------|---------------------------|---|--------------|----------------|----------|---------|
| FLB5319        | 22060                     | Single-gang Steel Floor Outlet Box  | 18.0         | 9              | 1        | 10      |
| FLB5548        | 22061                     | Two-gang Steel Floor Outlet Box   | 36.0         | 14             | 1        | 10      |
| FLB5549        | 22062                     | Two-gang Steel Floor Combination Box with installed (removable) divider for power/low voltage | 36.0         | 14             | 1        | 10      |





## COVERS WITH THREADED PLUGS



FLB5541MB  
Floor Box Kit  
(exploded view)



FLB5321NL  
(exploded view)

| CATALOG NUMBER                              | UPC/DCI/NAED MFG. #018997 | DESCRIPTION<br>COVERS WITH FLIP LIDS  | COVER SIZE & STYLE                     | COVER SHAPE | UNIT PKG | STD PKG |
|---|---------------------------|---|--|-------------|----------|---------|
| <b>FLOOR BOX KIT • with STEEL BOX</b>       |                           |   |  |             |          |         |
| FLB5321MB                                   | 22015                     | Single-gang steel box, gaskets, receptacle, gasketed cover, mounting screws | Brass with Two Threaded Plugs          | ■           | 1        | 4       |
| FLB5321NL                                   | 22016                     | Single-gang steel box, gaskets, receptacle, gasketed cover, mounting screws | Nickel-plated with Two Threaded Plugs  | ■           | 1        | 4       |
| FLB5541MB                                   | 22034                     | Two-gang steel box, gaskets, receptacles, gasketed cover, mounting screws   | Brass with Four Threaded Plugs         | ■           | 1        | 4       |
| FLB5541NL                                   | 22035                     | Two-gang steel box, gaskets, receptacles, gasketed cover, mounting screws   | Nickel-plated with Four Threaded Plugs | ■           | 1        | 4       |
| <b>METAL GASKETED COVER with receptacle</b> |                           |   |  |             |          |         |
| FLB5320MB                                   | 22013                     | Brass Cover   | Single-gang with Two Threaded Plugs    | ■           | 1        | 10      |
| FLB5320NL                                   | 22014                     | Nickel-plated Cover   | Single-gang with Two Threaded Plugs    | ■           | 1        | 10      |
| FLB5540MB                                   | 22005                     | Brass Cover   | Two-gang with Four Threaded Plugs      | ■           | 1        | 10      |
| FLB5540NL                                   | 22033                     | Nickel-plated Cover   | Two-gang with Four Threaded Plugs      | ■           | 1        | 10      |



FLB5321MB



FLB5321NL



FLB5541MB



FLB5541NL

### SINGLE & TWO-GANG FLOOR BOX KITS



FLB5541NL



**Arlington**

| Carlson • T&B                        | Hubbell                           | Lew        | WireMold • P&S                   |
|--------------------------------------|-----------------------------------|------------|----------------------------------|
| 61W + P-64-DU (needs receptacle)     | B2481 + S3625 (needs receptacle)  | SWB-2      | 880W1+828SPTC (needs receptacle) |
| 61W + P-64-DU-AL (needs receptacle)  | B2481 + SA3625 (needs receptacle) | SWB-2-NS   | (2) 828SPTC                      |
| 62W + (2) P-64-DU (needs receptacle) | B2482 + SB3084W + SA3625          | SWB-4-PQ   | 880W2                            |
| 62W + (2) P-64-DU-AL                 | B2482 + SA3084 + (2)SA3625        | SWB-4-PQ-A | 880W2 + (2) 828SPTC              |
| P-64-DU                              | S3625                             | RRP-2-BR   | 828SPTC                          |
| P-64-DU-AL                           | SA3625                            | RRP-2-NS   | -----                            |
| (2) P-64-DU                          | SB3084W + (2) SA3625              | RRP-4-BP   | 880W1+(2) 828SPTC                |
| (2) P-64-DU-AL                       | SA3084W + (2) SA3625              | RRP-4-BP-A | (2) 828SPTC                      |



FLB5540MB



FLB5320MB



FLB5540NL



FLB5320NL

**ARLINGTON'S METAL GASKETED COVERS with THREADED PLUGS**

Arlington's single and two-gang steel floor outlet boxes are compatible with our metal floor box covers on pages 10 and 12.

Features include: installed grounding screw, adjustable mounting ears and multiple 1/2" knockouts.



FLB5319



FLB5548

**STEEL OUTLET BOXES FOR NEW OR RETROFIT CONSTRUCTION**

| CATALOG NUMBER | UPC/DCI/NAED MFG. #018997 | DESCRIPTION                        | CUBIC INCHES | # OF KNOCKOUTS | UNIT PKG | STD PKG |
|----------------|---------------------------|------------------------------------|--------------|----------------|----------|---------|
| FLB5319        | 22060                     | Single-gang Steel Floor Outlet Box | 18.0         | 9              | 1        | 10      |
| FLB5548        | 22061                     | Two-gang Steel Floor Outlet Box    | 36.0         | 14             | 1        | 10      |



## FOR NEW CONCRETE POURS



**FLBC4500**  
(Mud cover in place)

| CATALOG NUMBER    | UPC/DCI/NAED MFG. #018997 | DESCRIPTION  | NOTES                         | UNIT PKG | STD PKG |
|-------------------|---------------------------|--|-------------------------------|----------|---------|
| <b>FLBC4500</b>   | 22010                     | 4.5" Non-metallic Round Box for Concrete Pours (conduit plugs, mud cover, voltage divider) |                               | 1        | 5       |
| <b>FLB6230MB</b>  | 22025                     | Cover Kit 6" Round, Brass w two flip lids  | *hole pattern fits FLBC4500LR | 1        | 10      |
| <b>FLB6230NL</b>  | 22026                     | Cover Kit 6" Round, Nickel-plated w two flip lids  | *hole pattern fits FLBC4500LR | 1        | 10      |
| <b>FLB6220MB</b>  | 22021                     | Cover Kit 6" Round, Brass w two threaded plugs   | *hole pattern fits FLBC4500LR | 1        | 10      |
| <b>FLB6220NL</b>  | 22022                     | Cover Kit 6" Round, Nickel-plated w two threaded plugs                                     | *hole pattern fits FLBC4500LR | 1        | 10      |
| <b>FLBC4500LR</b> | 22011                     | Leveling Ring for Arlington FLBC4500 & above round covers (has bosses for cover mounting)  |                               | 1        | 10      |
| <b>FLBT6615MB</b> | 22030                     | Trapdoor Cover Round, Brass. Pre-mounted gasket & decorator-style 15A receptacle           |                               | 1        | 10      |
| <b>FLBT6615NL</b> | 22031                     | Trapdoor Cover Round, Nickel-plated. Pre-mounted gasket & decorator-style 15A receptacle   |                               | 1        | 10      |
| <b>FLBT6615LR</b> | 22029                     | Leveling Ring for Arlington FLBC4500 box w FLBT6615 trapdoor style cover                   |                               | 1        | 10      |
| <b>FLBC4500AR</b> | 22004                     | Oversized Adapter Ring for 5" diameter concrete boxes                                      |                               | 1        | 10      |
| <b>FLBC4500Y</b>  | 22012                     | "Y" Adapter - Provides (2) 1" openings for conduit entering 1" hub                         |                               | 1        | 10      |

### NON-METALLIC CONCRETE BOX



**FLBC4500**  
Exploded view of components. (Mud cover not shown)

### COVER KITS with FLIP LIDS

**FLB6230MB**  
Brass cover

Includes cover with flip lids, gaskets, receptacle.

Also available with Nickel-plated cover **FLB6230NL** (not shown)



### COVER KITS with THREADED PLUGS

**FLB6220MB**  
Brass cover

Includes cover with threaded plugs, gaskets, receptacle.

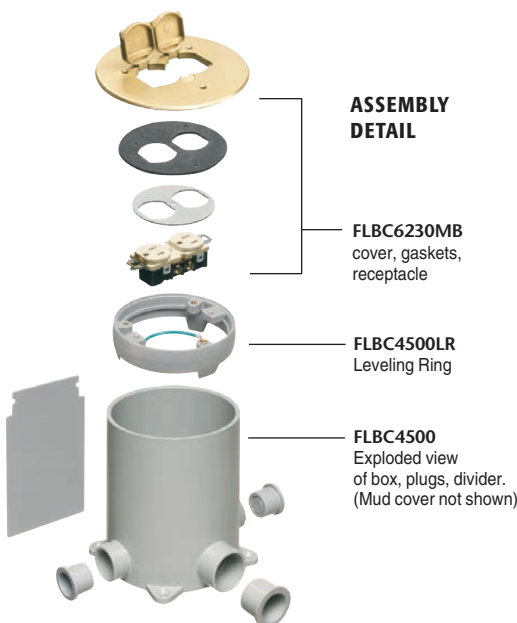
**FLB6220NL**  
Nickel-plated cover

(NOT SHOWN)

### LEVELING RING

Hole pattern fits above round covers:  
**FLB6230MB**  
**FLB6230NL**  
**FLB6220MB**  
**FLB6220NL**

**FLBC4500LR**



| Carlson • T&B   | Hubbell       | Lew      | WireMold • P&S         |
|-----------------|---------------|----------|------------------------|
| E971FB, 68P     | PFB1          | FB       | 881 E971FB, 68P        |
| E97BR2, P60DS   | S3925 + S3082 | TCP-2-LR | 895T E97BR2, P60DS     |
| E97SS2, P60CACP | -----         | TCP-LR-A | 895 E97SS2, P60CACP    |
| P-60-DUP-60-CP  | S3725 + S3082 | TCP-2    | 895SP P-60-DUP-60-CP   |
| -----           | -----         | -----    | -----                  |
| E97ABR2, 68-PAR | PFBA1         | LRA      | 881ADP E97ABR2, 68-PAR |
| -----           | -----         | PUFP-BD  | -----                  |
| -----           | -----         | PUFF-SD  | -----                  |
| -----           | -----         | PUFF-LRA | -----                  |
| -----           | -----         | LRA-HT   | -----                  |
| E972Y           | PFBYA1        | Y-CONN   | N/A E972Y              |

**ARLINGTON'S TRAPDOOR COVERS & LEVELING RING**



**FLBT6615MB**  
Trapdoor cover  
(open & closed)



**FLBT6615NL**  
Trapdoor cover



**FLBT6615LR**  
Leveling Ring  
for trapdoor covers



**FLBT6615MB**  
Trapdoor cover  
on **FLBC4500**  
Concrete box



**FLBT6615NL**

**ARLINGTON'S ADAPTERS**



**FLBC4500AR**  
Oversized  
Adapter Ring



**FLBC4500Y**  
"Y" Adapter





# FLOOR BOX KITS

FOR GOOD  
LOOKS  
ANYWHERE



FLOOR  
BOX KITS

and INTERCHANGEABLE FLOOR BOXES • COVERS • ACCESSORIES



**Arlington**

Distributed by