

FF Series Commercial Series

The FF Series Commercial Auto-Off Timers are designed to replace any standard wall switch - single or multi-gang. This series of energy-efficient mechanical timers do not require electricity to operate. In addition, they automatically limit the ON times for fans, lighting, motors, heaters, and other energy consuming loads.

Features

- Hold feature enables the user to override the automatic shut-off function
- Rugged time dial plate easily withstands the abuse encountered in commercial environments
- Commercial “brushed metal” (plastic construction) look meets NEC requirements
- Time saving up front terminal connection with teeter-type terminals
- Press-on knob design ensures quick and easy installation
- CFL compatible

Not for use with sunlamps, saunas, or loads that could cause personal injury if timed incorrectly.

Ratings

| | |
|-------------|---|
| Resistive: | 20 Amp, 125 VAC, 50/60 Hz 10 Amp, 250 VAC, 50/60 Hz 10 Amp, 277 VAC, 50/60 Hz |
| Tungsten: | 7 Amp, 125 VAC |
| Motor: | 1 HP, 120 VAC, 50/60 Hz 2 HP, 240 VAC, 50/60 Hz |
| Dimensions: | 2.79" H x 1.6" W x 1.19" D |

Project: _____

Location: _____

Product Type: _____

Contact/Phone: _____

Model #: _____



| Model Number | Time Cycle | Switch | Hold | Color |
|--------------|------------|--------|------|----------------------|
| FF5M | 5 Minutes | SPST | No | Brushed Metal Finish |
| FF5MH | 5 Minutes | SPST | Yes | Brushed Metal Finish |
| FF15MC | 15 Minutes | SPST | No | Brushed Metal Finish |
| FF15MH | 15 Minutes | SPST | Yes | Brushed Metal Finish |
| FF30MC | 30 Minutes | SPST | No | Brushed Metal Finish |
| FF30MH | 30 Minutes | SPST | Yes | Brushed Metal Finish |
| FF60MC | 60 Minutes | SPST | No | Brushed Metal Finish |
| FF60MHC | 60 Minutes | SPST | Yes | Brushed Metal Finish |
| FF2H | 2 Hours | SPST | No | Brushed Metal Finish |
| FF4H | 4 Hours | SPST | No | Brushed Metal Finish |
| FF6H | 6 Hours | SPST | No | Brushed Metal Finish |
| FF6HH | 6 Hours | SPST | Yes | Brushed Metal Finish |
| FF12HC | 12 Hours | SPST | No | Brushed Metal Finish |
| FF12HHC | 12 Hours | SPST | Yes | Brushed Metal Finish |
| FF315M | 15 Minutes | SPDT | No | Brushed Metal Finish |
| FF330M | 30 Minutes | SPDT | No | Brushed Metal Finish |
| FF360M | 60 Minutes | SPDT | No | Brushed Metal Finish |
| FF32H | 2 Hours | SPDT | No | Brushed Metal Finish |
| FF32HH | 2 Hours | SPDT | Yes | Brushed Metal Finish |
| FF34H | 4 Hours | SPDT | No | Brushed Metal Finish |
| FF34HH | 4 Hours | SPDT | Yes | Brushed Metal Finish |
| FF36H | 6 Hours | SPDT | No | Brushed Metal Finish |
| FF312H | 12 Hours | SPDT | No | Brushed Metal Finish |
| FF312HH | 12 Hours | SPDT | Yes | Brushed Metal Finish |
| FF415M | 15 Minutes | DPST | No | Brushed Metal Finish |
| FF430M | 30 Minutes | DPST | No | Brushed Metal Finish |
| FF460M | 60 Minutes | DPST | No | Brushed Metal Finish |
| FF46H | 6 Hours | DPST | No | Brushed Metal Finish |
| FF412H | 12 Hours | DPST | No | Brushed Metal Finish |

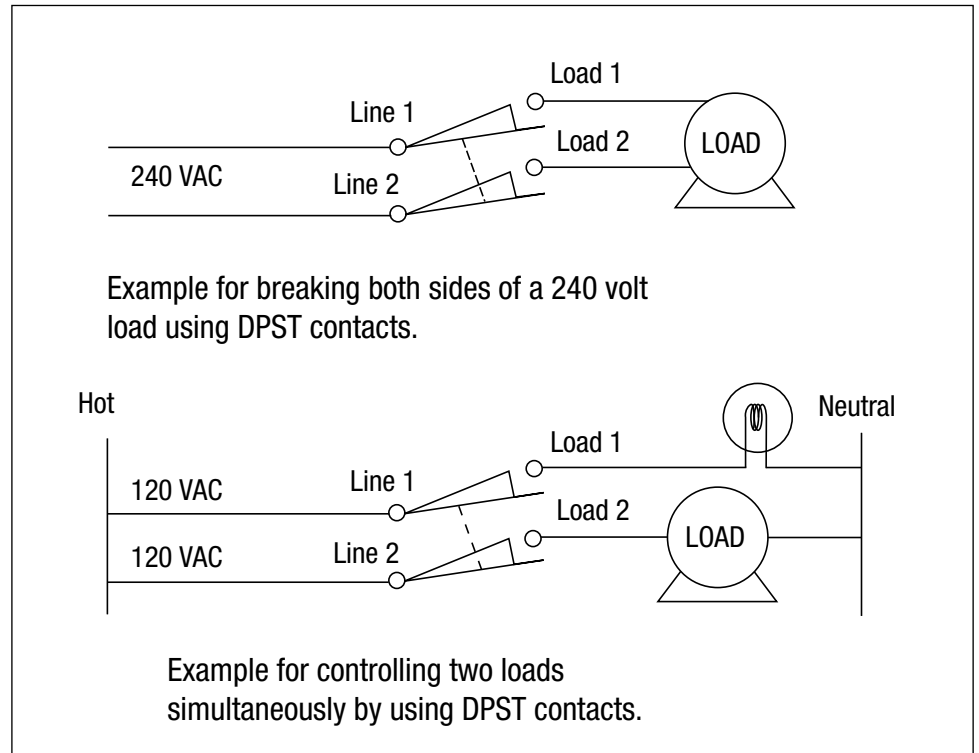
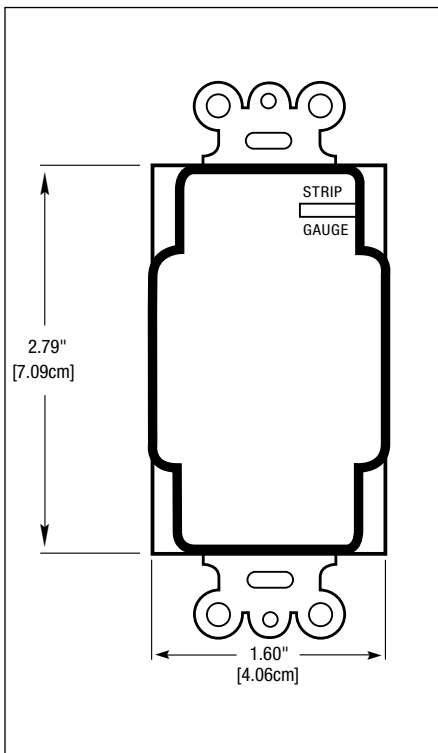
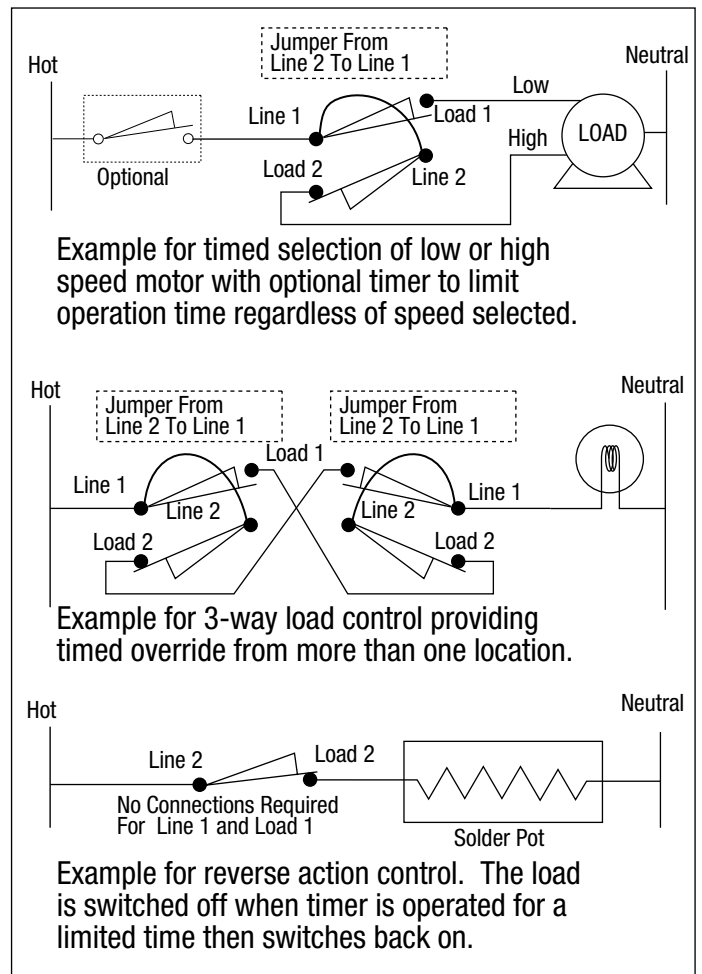
Specification

The timer shall be of the appropriate dimensions and design to provide for direct replacement of a standard wall switch in a single gang 2 1/2" deep junction box. The timer shall include a spiral time scale to provide easy selection of a desired time setting. Molded white knob and brushed metal finish wall plate shall be a press-on type requiring no screw or other hardware to secure. The polymeric time dial shall replace a standard switch plate without modifications. The timer shall have a UL listed rating of:

- 1 HP at 125 VAC, 50/60 Hz
- 2 HP at 250 VAC, 50/60 Hz
- 20 Amp, 120 VAC, 50/60 Hz
- 10 Amp, 250 VAC, 50/60 Hz
- 10 Amp, 277 VAC, 50/60 Hz
- 7 Amp, 125 VAC, Tungsten

The timer field wiring connections shall be secured by means of a teeter-type terminal screw to provide secure connections for appropriate wire sizes. The timer shall be _____ (SPST)(DPST)(SPDT). The timer _____ (Shall) (Shall Not) have a Hold feature and shall have a time cycle of _____ (See Time Cycles Listed). The timer shall be Intermatic model _____ (See Model Numbers Listed).

Diagrams



FF Series Commercial Series

The FF Series Commercial Auto-Off Timers are designed to replace any standard wall switch - single or multi-gang. This series of energy-efficient mechanical timers do not require electricity to operate. In addition, they automatically limit the ON times for fans, lighting, motors, heaters, and other energy consuming loads.

Features

- Hold feature enables the user to override the automatic shut-off function
- Rugged time dial plate easily withstands the abuse encountered in commercial environments
- Commercial “brushed metal” (plastic construction) look meets NEC requirements
- Time saving up front terminal connection with teeter-type terminals
- Press-on knob design ensures quick and easy installation
- CFL compatible

Not for use with sunlamps, saunas, or loads that could cause personal injury if timed incorrectly.

Ratings

| | |
|-------------|---|
| Resistive: | 20 Amp, 125 VAC, 50/60 Hz 10 Amp, 250 VAC, 50/60 Hz 10 Amp, 277 VAC, 50/60 Hz |
| Tungsten: | 7 Amp, 125 VAC |
| Motor: | 1 HP, 120 VAC, 50/60 Hz 2 HP, 240 VAC, 50/60 Hz |
| Dimensions: | 2.79" H x 1.6" W x 1.19" D |

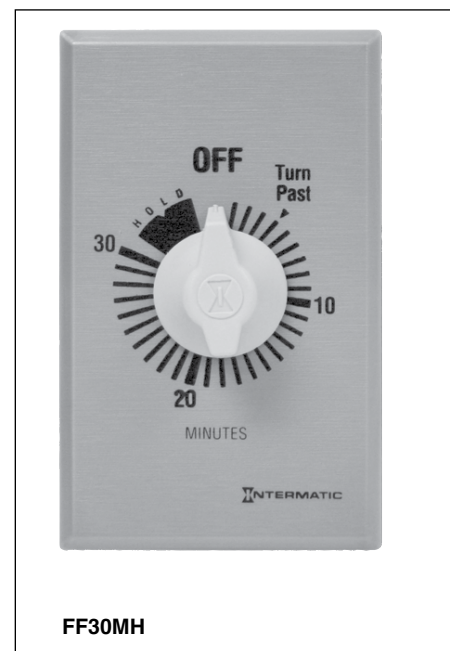
Project: _____

Location: _____

Product Type: _____

Contact/Phone: _____

Model #: _____



| Model Number | Time Cycle | Switch | Hold | Color |
|--------------|------------|--------|------|----------------------|
| FF5M | 5 Minutes | SPST | No | Brushed Metal Finish |
| FF5MH | 5 Minutes | SPST | Yes | Brushed Metal Finish |
| FF15MC | 15 Minutes | SPST | No | Brushed Metal Finish |
| FF15MH | 15 Minutes | SPST | Yes | Brushed Metal Finish |
| FF30MC | 30 Minutes | SPST | No | Brushed Metal Finish |
| FF30MH | 30 Minutes | SPST | Yes | Brushed Metal Finish |
| FF60MC | 60 Minutes | SPST | No | Brushed Metal Finish |
| FF60MHC | 60 Minutes | SPST | Yes | Brushed Metal Finish |
| FF2H | 2 Hours | SPST | No | Brushed Metal Finish |
| FF4H | 4 Hours | SPST | No | Brushed Metal Finish |
| FF6H | 6 Hours | SPST | No | Brushed Metal Finish |
| FF6HH | 6 Hours | SPST | Yes | Brushed Metal Finish |
| FF12HC | 12 Hours | SPST | No | Brushed Metal Finish |
| FF12HHC | 12 Hours | SPST | Yes | Brushed Metal Finish |
| FF315M | 15 Minutes | SPDT | No | Brushed Metal Finish |
| FF330M | 30 Minutes | SPDT | No | Brushed Metal Finish |
| FF360M | 60 Minutes | SPDT | No | Brushed Metal Finish |
| FF32H | 2 Hours | SPDT | No | Brushed Metal Finish |
| FF32HH | 2 Hours | SPDT | Yes | Brushed Metal Finish |
| FF34H | 4 Hours | SPDT | No | Brushed Metal Finish |
| FF34HH | 4 Hours | SPDT | Yes | Brushed Metal Finish |
| FF36H | 6 Hours | SPDT | No | Brushed Metal Finish |
| FF312H | 12 Hours | SPDT | No | Brushed Metal Finish |
| FF312HH | 12 Hours | SPDT | Yes | Brushed Metal Finish |
| FF415M | 15 Minutes | DPST | No | Brushed Metal Finish |
| FF430M | 30 Minutes | DPST | No | Brushed Metal Finish |
| FF460M | 60 Minutes | DPST | No | Brushed Metal Finish |
| FF46H | 6 Hours | DPST | No | Brushed Metal Finish |
| FF412H | 12 Hours | DPST | No | Brushed Metal Finish |

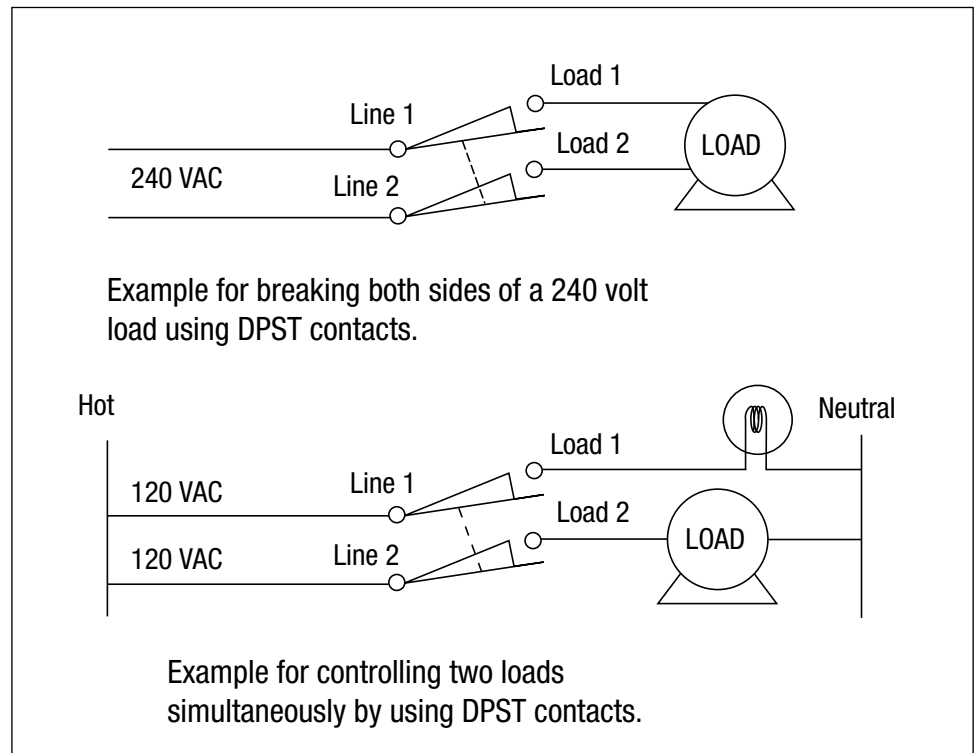
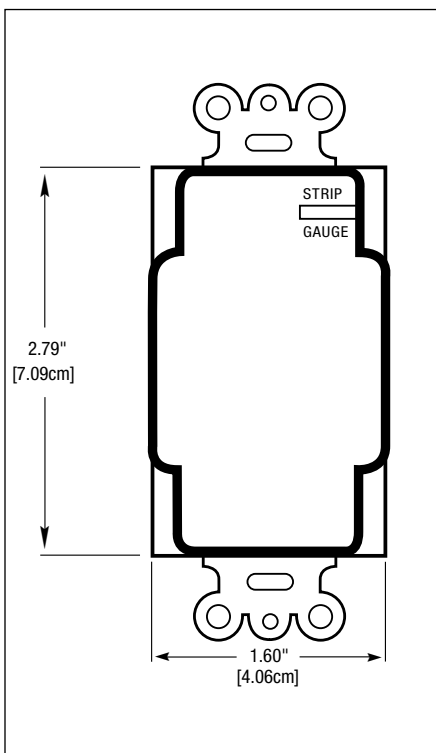
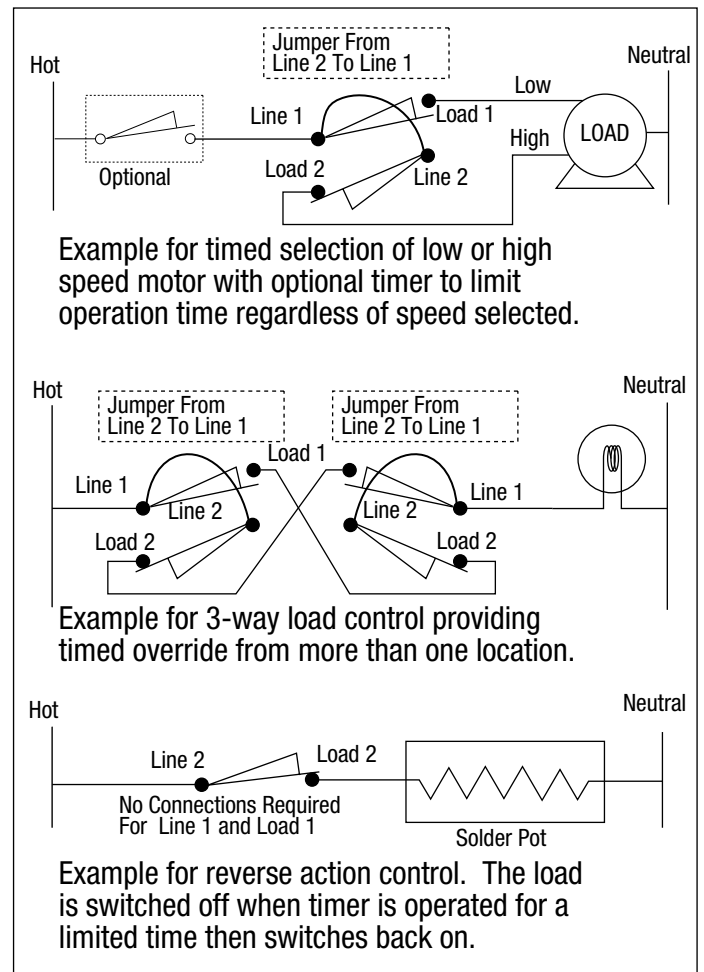
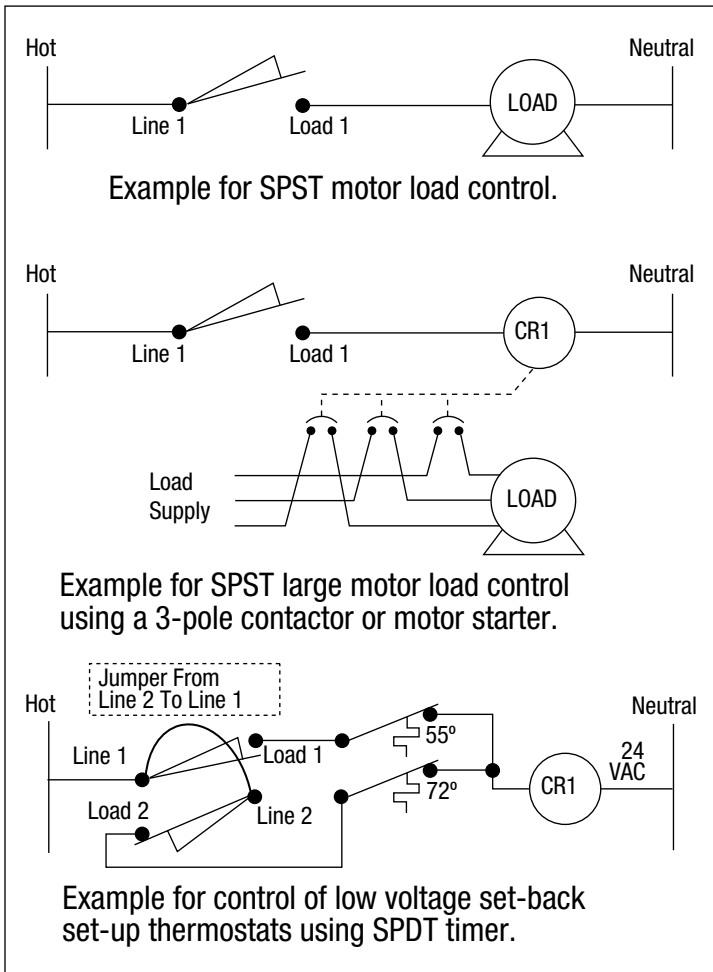
Specification

The timer shall be of the appropriate dimensions and design to provide for direct replacement of a standard wall switch in a single gang 2 1/2" deep junction box. The timer shall include a spiral time scale to provide easy selection of a desired time setting. Molded white knob and brushed metal finish wall plate shall be a press-on type requiring no screw or other hardware to secure. The polymeric time dial shall replace a standard switch plate without modifications. The timer shall have a UL listed rating of:

- 1 HP at 125 VAC, 50/60 Hz
- 2 HP at 250 VAC, 50/60 Hz
- 20 Amp, 120 VAC, 50/60 Hz
- 10 Amp, 250 VAC, 50/60 Hz
- 10 Amp, 277 VAC, 50/60 Hz
- 7 Amp, 125 VAC, Tungsten

The timer field wiring connections shall be secured by means of a teeter-type terminal screw to provide secure connections for appropriate wire sizes. The timer shall be _____ (SPST)(DPST)(SPDT). The timer _____ (Shall) (Shall Not) have a Hold feature and shall have a time cycle of _____ (See Time Cycles Listed). The timer shall be Intermatic model _____ (See Model Numbers Listed).

Diagrams



Notes
