

## DESCRIPTION

The HALO entry light provides dependable security lighting with nighttime ON and daytime OFF functionality. Suitable for mounting heights up to 10ft, these fixtures are ideal for residential applications such as entrances, patios and walkways. Produces light output equivalent to 75W incandescent, available in white or bronze finish.

<b>Catalog #</b>		<b>Type</b>
<b>Project</b>		
<b>Comments</b>		<b>Date</b>
<b>Prepared by</b>		

## SPECIFICATION FEATURES

### Construction

- Corrosion resistant polycarbonate housing
- UV stable frosted polycarbonate lens
- Available in bronze or white finish
- Suitable for recessed junction boxes

### Electrical

- Maintenance-free LEDs with 25,000 hours of life
- Fixture operating temperature range from -30°C to 40°C
- Integral photo control included
- Electrical operating voltage 120VAC 60Hz
- cULus listed for wet locations
- External supply wiring 75°C minimum

### Optics

- Diffused lens
- 5000K CCT

### Warranty

5 year limited warranty

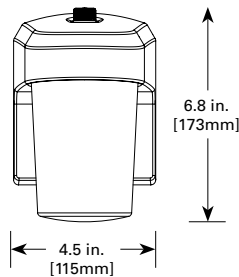


**FE0650  
LED ENTRY  
LIGHT**

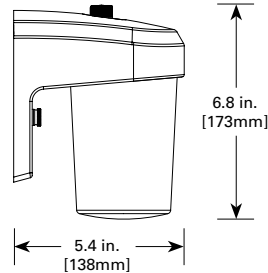
## DIMENSIONS

### FE0650LPC

Front View



Side View



## ORDERING INFORMATION

Model	Finish
FE0650LPC	Bronze
FE0650LPCW	White

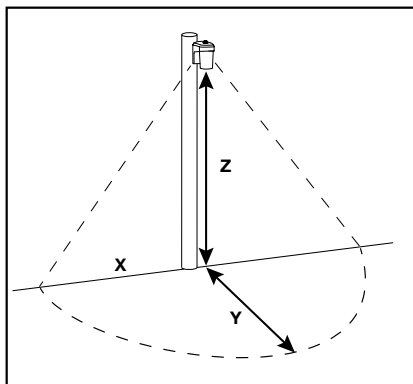
## CERTIFICATION DATA

cULus Wet Location Listed

## TECHNICAL DATA

-30°C to 40°C Temperature Rating  
External Supply Wiring 75° Minimum  
Wall and Pole Mount

PHOTOMETRICS



Mounting Height	0.25 Fc Coverage Area					
	8		10		15	
Catalog Number	X	Y	X	Y	X	Y
FE0650 Series	13	24	13	24	8.5	17

X = Forward Throw  
 Y = Wall Spread  
 Z = Mounting Heights

Technical Information

		Voltage (V)	Power (W)	Delivered Lumens	Efficacy (Lum/Watt)	LED Color Temperature (K)	CRI
FE0650 Series	Bronze	120	9	811	91	5000	83
	White	120	9	927	104	5000	83