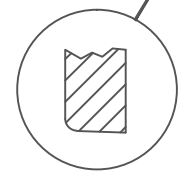
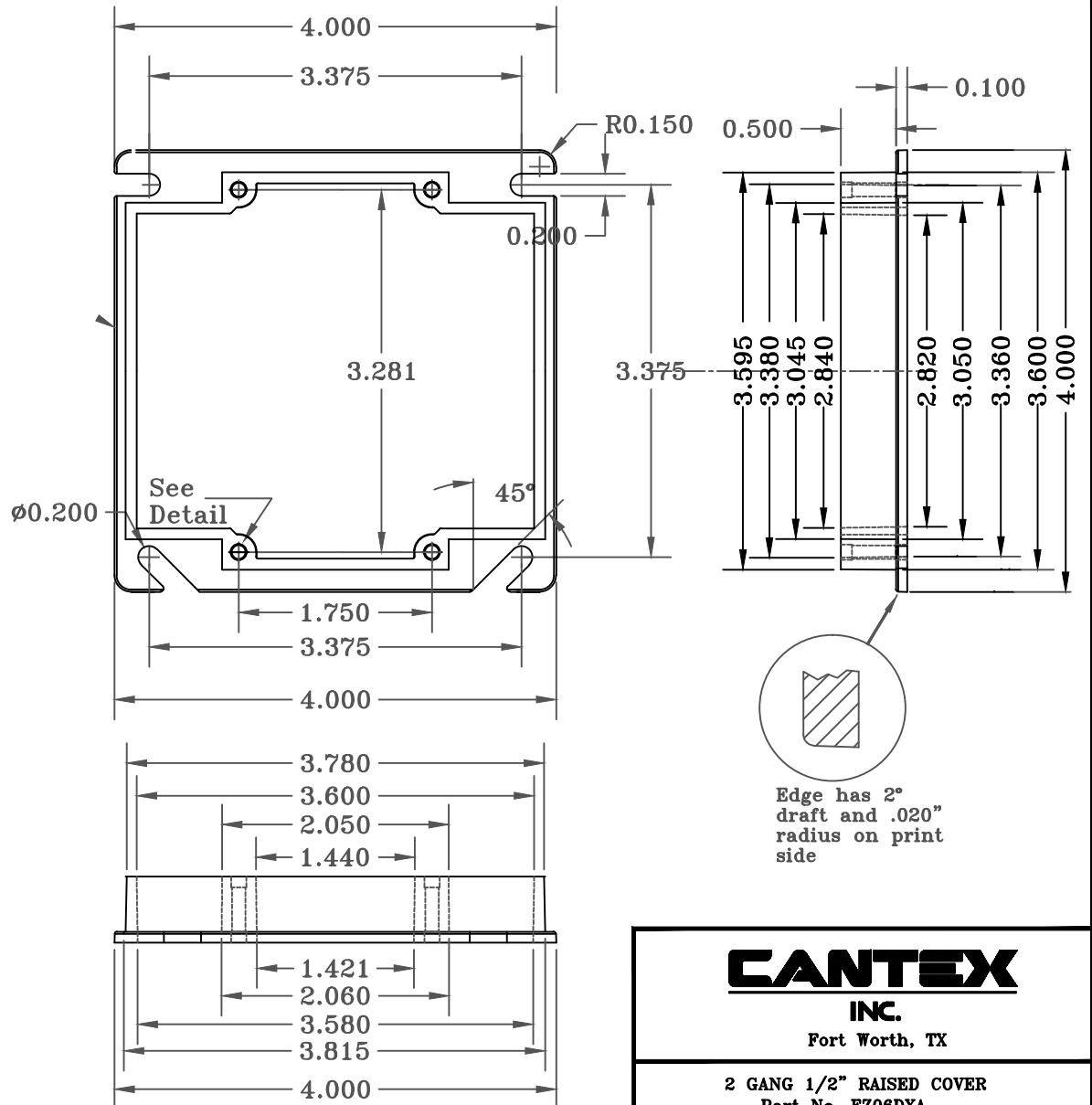


MARKING REQUIREMENTS



Edge has 2° draft and .020" radius on print side



UL Listed
 UL Files R18795 and E98429
 Category Code CEYY, QBWY & QCMZ
 UL 2-HR Fire rated w/ Listed Box
 Suitable for Masonry Walls
 Material is Rigid PVC

CANTEX
 INC.

Fort Worth, TX

2 GANG 1/2" RAISED COVER
 Part No. EZ06DXA

Drw.By: O.M. Date:5/22/17 Ref:DOUGA420