

2

1

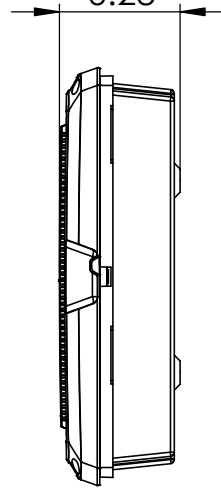
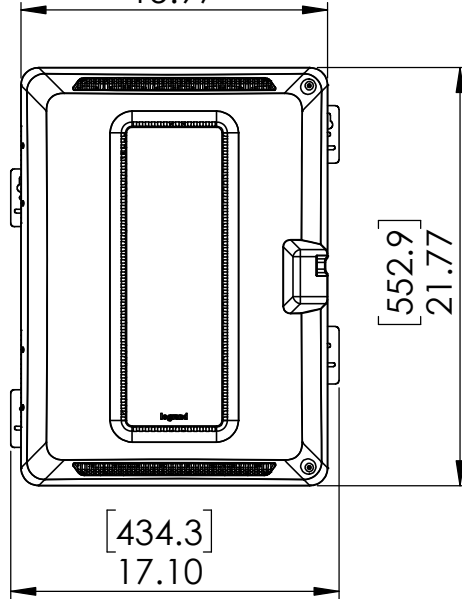
B

B

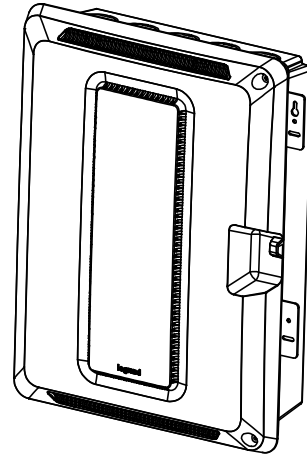
Without tabs

[405.7]
15.97

[159.6]
6.28




With tabs



A

A

DIMENSIONS ARE IN INCHES UNLESS OTHERWISE SPECIFIED TOLERANCES 2 PLACE DECIMAL ± .02 3 PLACE DECIMAL ± .005 4 PLACE DECIMAL ± .0005 ANGULAR ± 30'	DRAWN - DATE - APPROVED - DATE -	 P.O. Box 60907 Harrisburg, PA 17106-0907 1-800-321-2343		
	MATERIAL FINISH WEIGHT DRAWING IS 3RD ANGLE PROJECTION DO NOT SCALE DRAWING		DESCRIPTION: <h1>20" SWE</h1>	
PROPRIETARY AND CONFIDENTIAL THE INFORMATION CONTAINED IN THIS DRAWING IS THE SOLE PROPERTY OF OnQ/LEGRAND. ANY REPRODUCTION IN PART OR AS A WHOLE WITHOUT THE WRITTEN PERMISSION OF OnQ/LEGRAND IS PROHIBITED.		SIZE A	DWG NO ENP2050	REV A
		SCALE 1:5	SURFACE AREA	SHEET 1 OF 1

2

1