

4

3

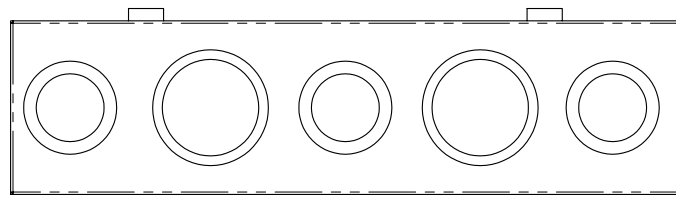
2

1

NOTES:

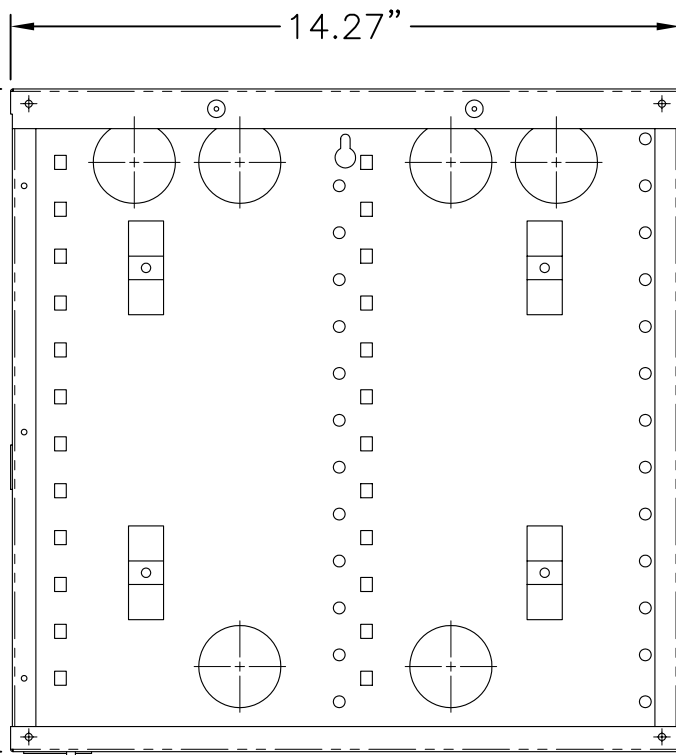
- 1. UL CATEGORIES: UL985, UL1863
- 2. COATING: POWDER
- 3. STEEL GAUGE: 20
- 4. INSTRUCTION SHEET INCLUDED
- 5. CABLE GUARD INSERT INCLUDED

B

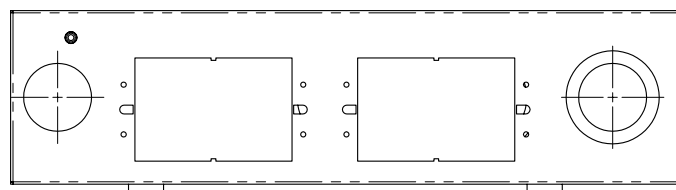


14.27"

14.13"



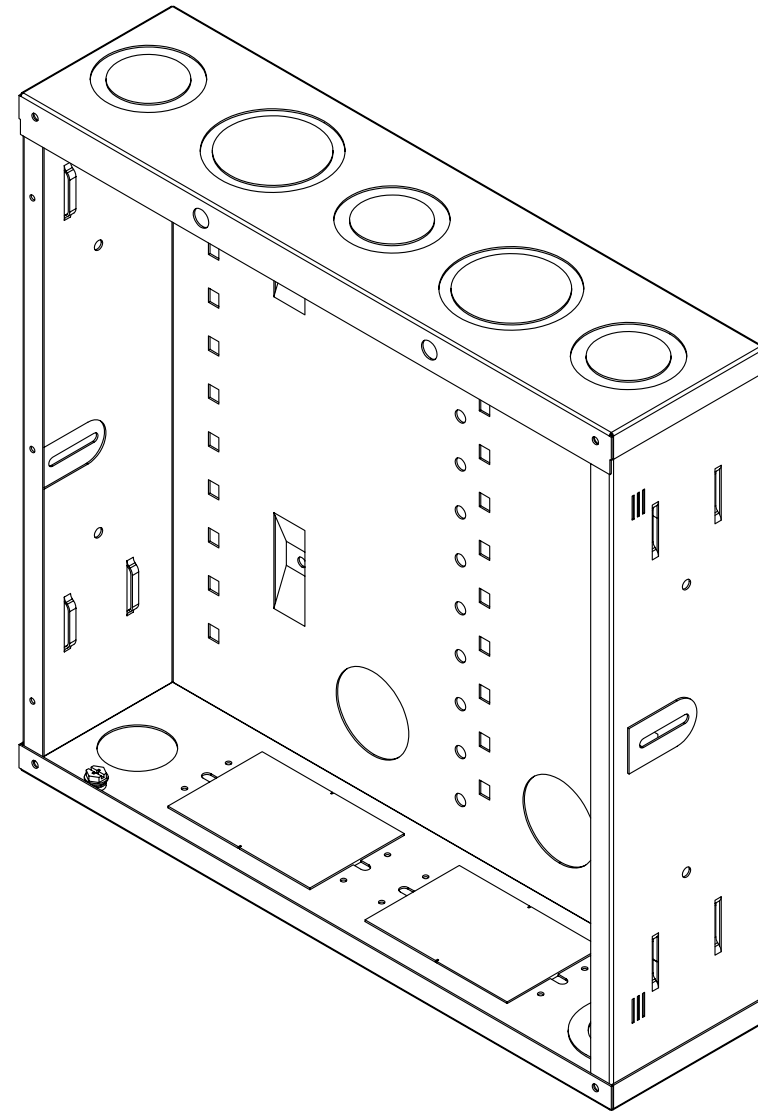
3.70"



A

B

A



PROPRIETARY AND CONFIDENTIAL THE INFORMATION CONTAINED IN THIS DRAWING IS THE SOLE PROPERTY OF On-Q/LEGRAND. ANY REPRODUCTION IN PART OR AS A WHOLE WITHOUT THE WRITTEN PERMISSION OF On-Q/LEGRAND IS PROHIBITED. DRAWING IS SUBJECT TO CHANGE WITHOUT NOTICE.		  P.O. Box 60907 Harrisburg, PA 17106-0907 1-800-321-2343		TITLE: <b>14IN ENCLOSURE W/ KNOCK-OUTS          NO COVER</b>		
				SIZE <b>B</b>	DWG NO <b>EN1485</b>	FILE NAME <b>CD-EN1485</b>
		REVISED DATE 4/28/08	SCALE NONE	SHEET 1 OF 1		

4

3

2

1