



# KT-EMRG-LED-12-1200

## CONSTANT WATTAGE LED EMERGENCY BACK-UP



### DESCRIPTION

LED Emergency Back-Up Driver | 12W Output | 120-277V Input

<b>DRIVER TYPE:</b> Constant Wattage LED Emergency
<b>MAX. OUTPUT POWER:</b> 12W
<b>INPUT VOLTAGE:</b> 120-277Vac ±10%
<b>OUTPUT VOLTAGE:</b> 12~41 Vdc
<b>OUTPUT CURRENT:</b> 1000mA-200mA
<b>WARRANTY:</b> 5 Years



### PRODUCT FEATURES

- Drives LED Loads at 12W (Nominal) for a Minimum of 90 Minutes
- Meets FCC Part 15 (Class B) Consumer Limits
- Short Circuit Overload and Open Load Protection
- Type 1 Outdoor, Suitable for Dry and Damp Locations
- Evaluated to UL 924 Standards
- Operating Temperature: 32°F/0°C to 122°F/50°C
- Input Frequency: 50/60 Hz
- Test Switch/ Charging Indicator Light
- Battery Pack with Quick Connect; NiCd or NiMH
- Battery Capacity: 3000mAh

## SPECIFICATIONS

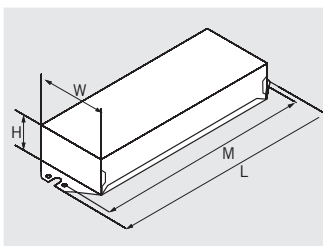
### ELECTRICAL SPECIFICATIONS

Family	INPUT CHARACTERISTICS			OUTPUT CHARACTERISTICS		
	Input Voltage	Power Factor	Max. Current	Max. Output Power	Rated Output Current	Output Voltage
12W	120-277Vac	≥0.5	0.07A @ 120V	12W	1000mA-200mA	12~41Vdc

Emergency pack designed to deliver 12W to a constant current LED load. Approximate output is 1200 lumens assuming a nominal minimum efficacy of 100lm/W.

### MECHANICAL SPECIFICATIONS

#### CASE DIMENSIONS



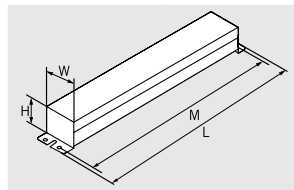
<b>LENGTH</b>	6.46"
<b>WIDTH</b>	1.37"
<b>HEIGHT</b>	1.00"
<b>MOUNTING</b>	6.00"
<b>CASE STYLE</b>	L7
<b>CASE MATERIAL</b>	METAL

#### STANDARD LEAD LENGTHS\*

<b>WHITE</b>	12"
<b>BLACK</b>	12"
<b>WHITE/BLACK</b>	12"
<b>RED</b>	24"
<b>BLUE</b>	24"
<b>BROWN</b>	24"

\*Consult Keystone for special lead length requirements.  
Lead wires are 18 AWG 105°C/600V.

#### BATTERY SIZE



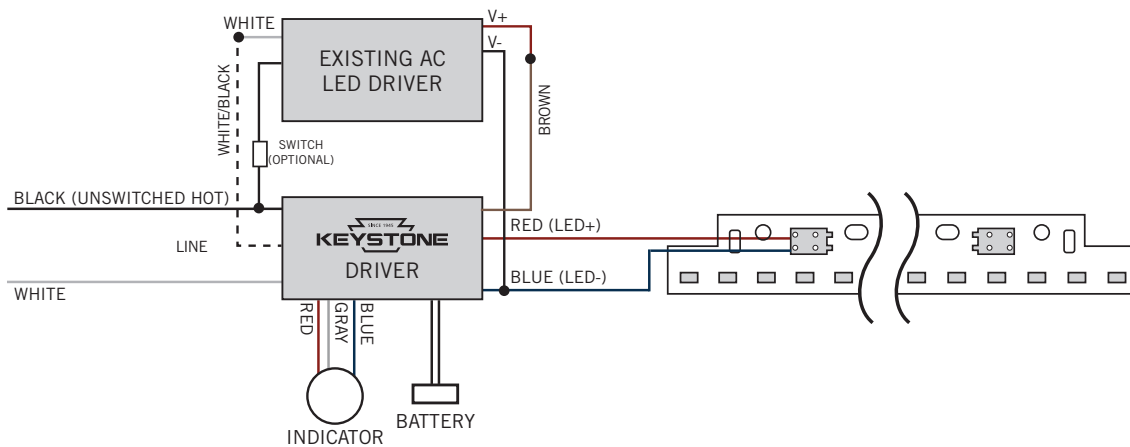
<b>LENGTH</b>	9.45"
<b>WIDTH</b>	2.23"
<b>HEIGHT</b>	1.02"
<b>MOUNTING</b>	8.91"



# KT-EMRG-LED-12-1200

## CONSTANT WATTAGE LED EMERGENCY BACK-UP

### WIRING DIAGRAM



### ORDERING INFORMATION

ORDER CODE	DESCRIPTION	PACKAGING STYLE	PACK QTY.	ITEM STATUS
KT-EMRG-LED-12-1200-IP	LED Emergency Driver with Battery	Individually Packaged	1	Coming Soon

### CATALOG NUMBER BREAKDOWN

