



Made in the USA Since 1946

EMT Connectors Compression Type

- For connecting and bonding electric metallic tubing to a box or enclosure
- Concrete Tight 1/2" to 4"
- Screw Machined Steel, zinc plated *

EMT Connectors Compression (EC)

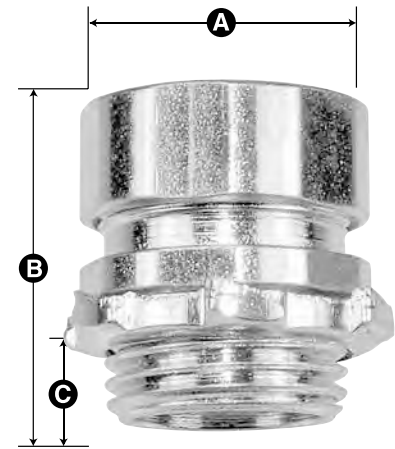
Cat. #	Size	Unit Ctn	Std Pkg	WT/ 100
EC750US	1/2"	50	250	8
EC751US	3/4"	25	125	12
EC752US	1"	20	100	19
EC753US	1-1/4"	5	50	30
EC754US	1-1/2"	5	25	46
EC755US	2"	5	25	55
EC756US	2-1/2"	-	5	217
EC757US	3"	-	3	260
EC758US	3-1/2"	-	2	332
EC759US	4"	-	2	377

* Fittings 2-1/2" & larger made be steel or malleable iron

Dimensional Table

Cat. #	A Diameter	B Length	C Length of Thread
EC750BUS	1.750	1.250	.406
EC751BUS	1.813	1.563	.406
EC752BUS	2.000	1.813	.406
EC753BUS	2.750	2.188	.500
EC754BUS	3.000	2.438	.500
EC755BUS	3.188	2.938	.688
EC756BUS	3.929	3.875	1.250
EC757BUS	4.650	4.000	1.375
EC758BUS	5.198	4.312	1.375
EC759BUS	5.750	4.500	1.500

SPEC-grade



Featuring:
EZ-Torque Compression Nut



With Insulated Throat

Cat. #	Size	Unit Ctn	Std Pkg	WT/ 100
EC750BUS	1/2"	50	250	8
EC751BUS	3/4"	25	125	12
EC752BUS	1"	20	100	19
EC753BUS	1-1/4"	5	50	30
EC754BUS	1-1/2"	5	25	46
EC755BUS	2"	5	25	55
EC756BUS	2-1/2"	-	5	242
EC757BUS	3"	-	3	307
EC758BUS	3-1/2"	-	2	390
EC759BUS	4"	-	2	492



Made in the USA Since 1946

EMT Connectors Compression Type

- For connecting and bonding electric metallic tubing to a box or enclosure
- Concrete Tight 1/2" to 4"
- Screw Machined Steel, zinc plated *

EMT Connectors Compression (EC)

Cat. #	Size	Unit Ctn	Std Pkg	WT/ 100
EC750US	1/2"	50	250	8
EC751US	3/4"	25	125	12
EC752US	1"	20	100	19
EC753US	1-1/4"	5	50	30
EC754US	1-1/2"	5	25	46
EC755US	2"	5	25	55
EC756US	2-1/2"	-	5	217
EC757US	3"	-	3	260
EC758US	3-1/2"	-	2	332
EC759US	4"	-	2	377

* Fittings 2-1/2" & larger made be steel or malleable iron

Dimensional Table

Cat. #	A Diameter	B Length	C Length of Thread
EC750BUS	1.750	1.250	.406
EC751BUS	1.813	1.563	.406
EC752BUS	2.000	1.813	.406
EC753BUS	2.750	2.188	.500
EC754BUS	3.000	2.438	.500
EC755BUS	3.188	2.938	.688
EC756BUS	3.929	3.875	1.250
EC757BUS	4.650	4.000	1.375
EC758BUS	5.198	4.312	1.375
EC759BUS	5.750	4.500	1.500

SPEC-grade



Featuring:
EZ-Torque Compression Nut



With Insulated Throat

Cat. #	Size	Unit Ctn	Std Pkg	WT/ 100
EC750BUS	1/2"	50	250	8
EC751BUS	3/4"	25	125	12
EC752BUS	1"	20	100	19
EC753BUS	1-1/4"	5	50	30
EC754BUS	1-1/2"	5	25	46
EC755BUS	2"	5	25	55
EC756BUS	2-1/2"	-	5	242
EC757BUS	3"	-	3	307
EC758BUS	3-1/2"	-	2	390
EC759BUS	4"	-	2	492