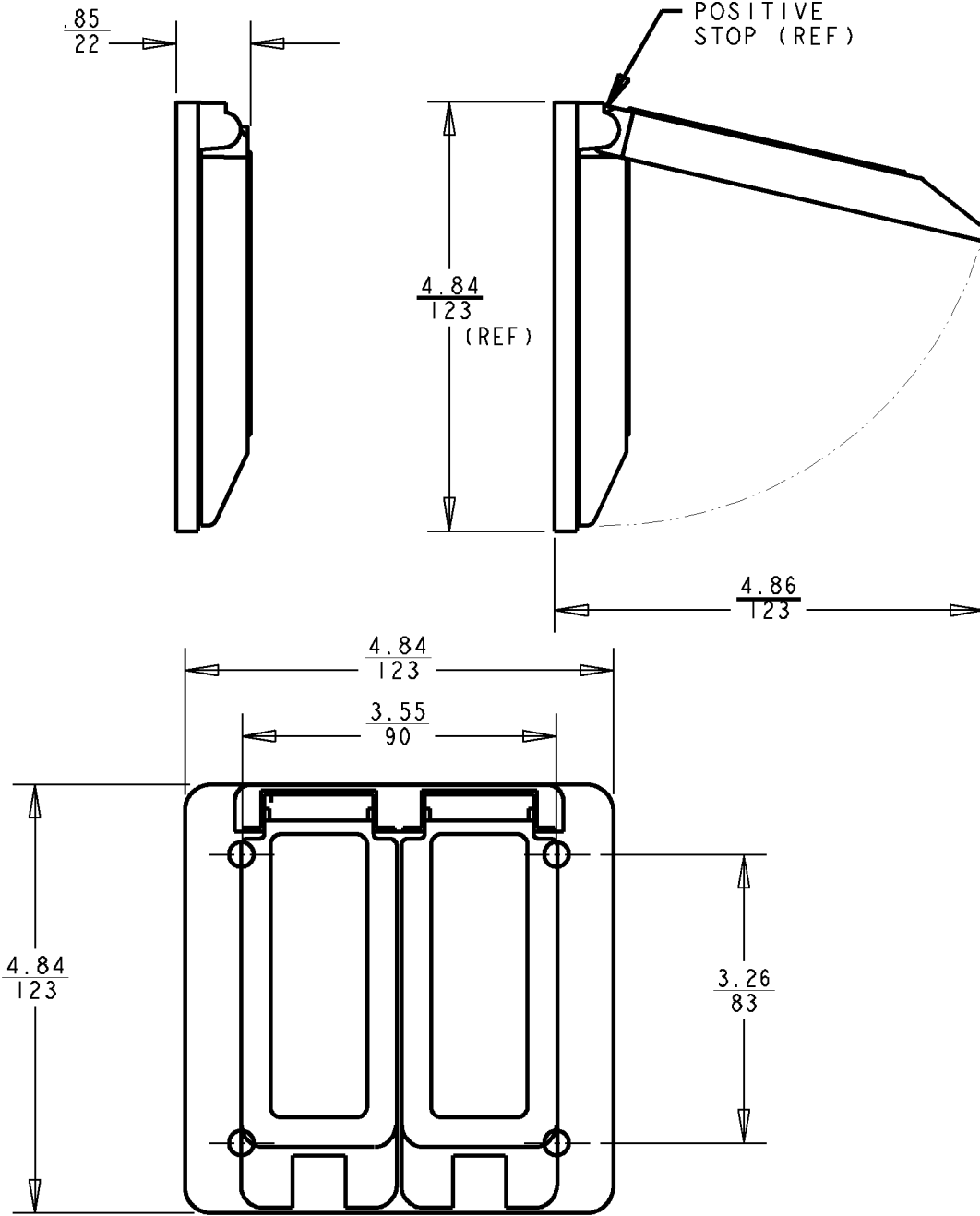


Carlton®



PART NO.	COLOR	MATERIAL
E9G2DDN-CAR	GRAY	LEXAN

GENERAL NOTES

1. ALL DIMENSIONS ARE FOR REFERENCE ONLY.
2. DIMENSIONS IN BRACKETS [] ARE IN METRIC UNITS.

REVISIONS

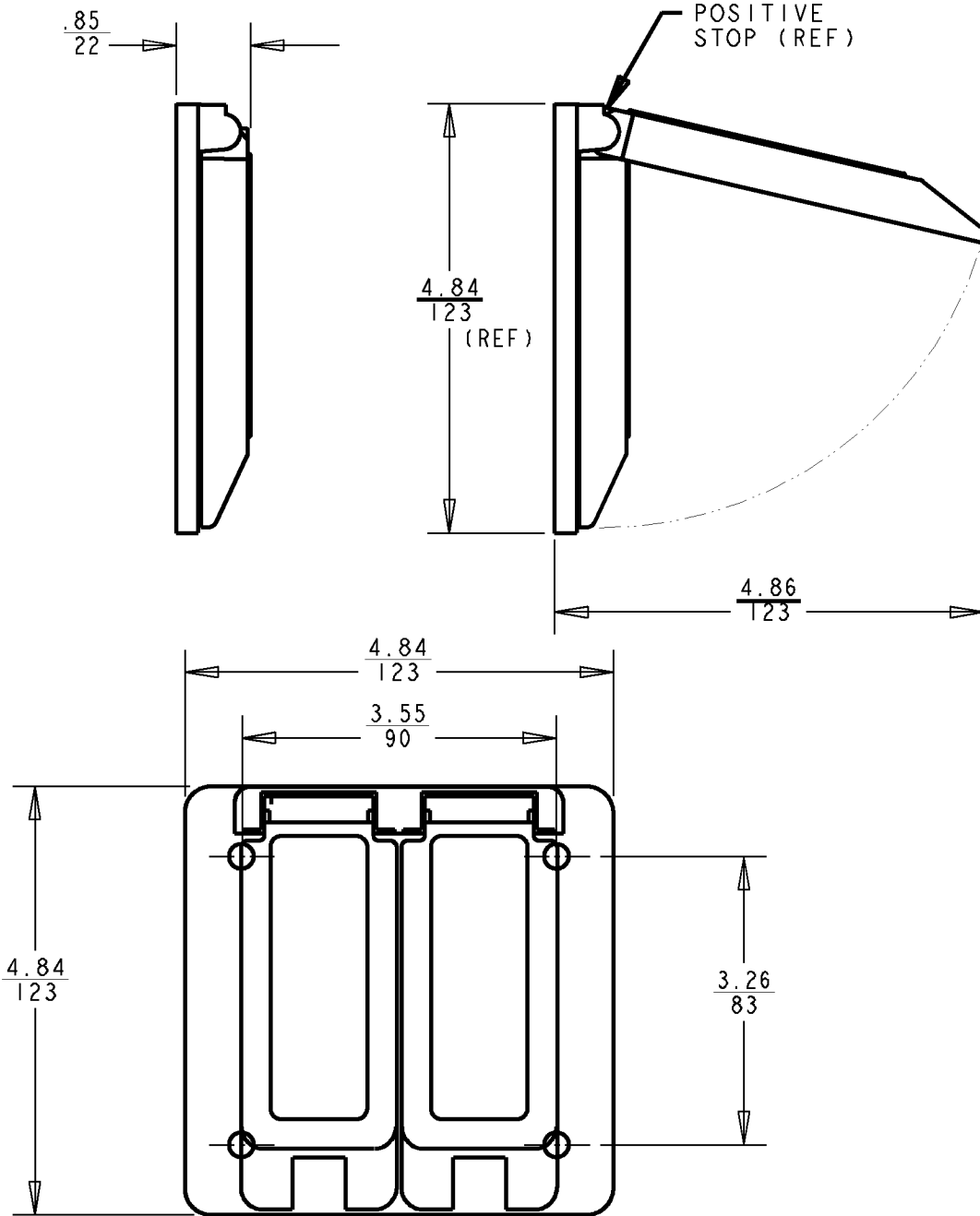
*** SEE ERN (****) FOR APPROVAL SIGNATURES & RELEASE DATE.
PROJECT NO: ****

Thomas & Betts
www.tnb.com

DESCRIPTION: **WEATHERPROFF COVER, 2 GANG**

ORIGINAL PROJECT NO / (ERN NO) / ()	SHEET NO: 1 OF 1	REV. NO: B	DRAWING NO: WSD-AC02261
---	---------------------	---------------	----------------------------

Carlton®



PART NO.	COLOR	MATERIAL
E9G2DDN-CAR	GRAY	LEXAN

GENERAL NOTES

- ALL DIMENSIONS ARE FOR REFERENCE ONLY.
- DIMENSIONS IN BRACKETS [] ARE IN METRIC UNITS.

REVISIONS

*** SEE ERN (****) FOR APPROVAL SIGNATURES & RELEASE DATE.
PROJECT NO: ****

Thomas & Betts
www.tnb.com

DESCRIPTION: **WEATHERPROFF COVER, 2 GANG**

ORIGINAL PROJECT NO / (ERN NO) / ()	SHEET NO: 1 OF 1	REV. NO: B	DRAWING NO: WSD-AC02261
---	---------------------	---------------	----------------------------