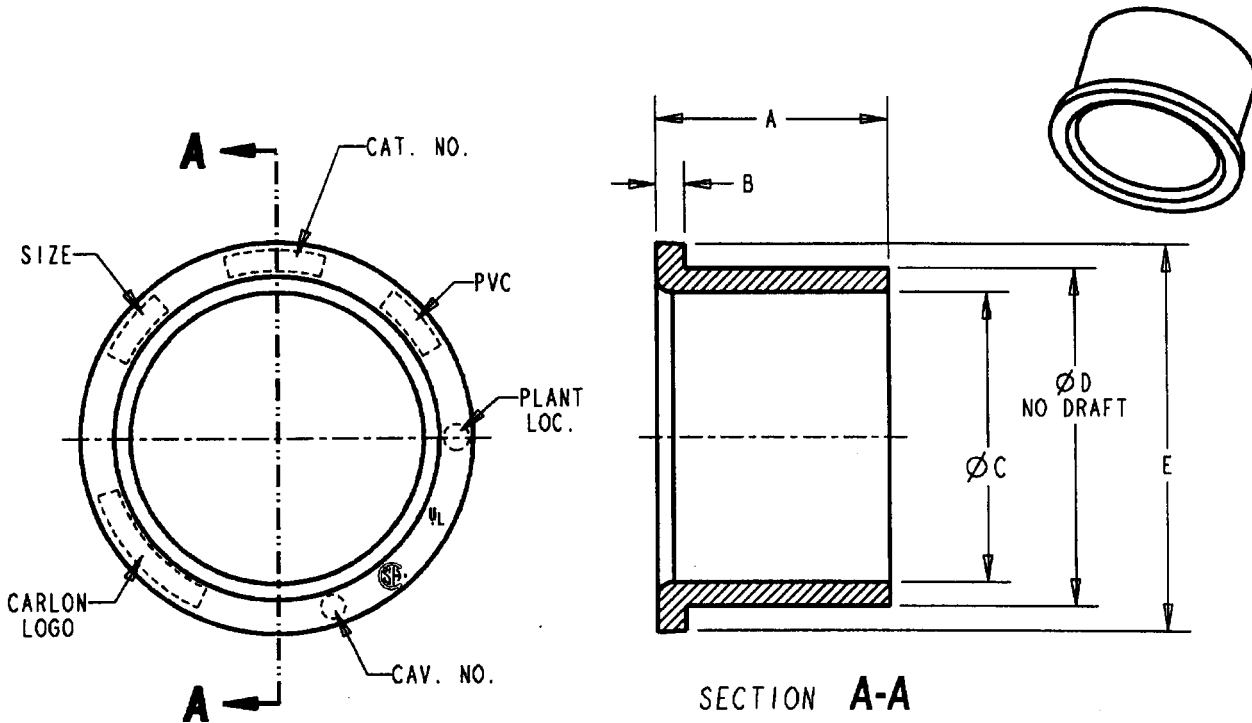


# Carlton



CATALOG NUMBER	SIZE	A	B	C	D	E
E996D	1/2" [16]	.85 [21,6]	.13 [3,2]	.64 [16,3]	.84 [21,3]	1.11 [28,1]
E996E	3/4" [21]	.90 [22,9]	.13 [3,2]	.85 [21,6]	1.05 [26,7]	1.32 [33,6]
E996F	1" [27]	1.1 [27,9]	.14 [3,6]	1.1 [27,9]	1.32 [33,4]	1.61 [40,9]
E996G	1 1/4" [35]	1.17 [29,6]	.15 [3,7]	1.39 [35,2]	1.66 [42,2]	1.94 [49,3]
E996H	1 1/2" [41]	1.31 [33,3]	.16 [4,1]	1.64 [41,5]	1.90 [48,3]	2.17 [55,2]
E996J	2" [53]	1.39 [35,3]	.16 [4,1]	2.07 [52,6]	2.38 [60,3]	2.89 [73,5]
E996K	2 1/2" [63]	1.77 [45,0]	.20 [5,1]	2.53 [64,3]	2.88 [73,0]	3.35 [85,2]
E996L	3" [78]	1.90 [48,3]	.24 [6,1]	3.04 [77,2]	3.50 [88,9]	3.98 [101,0]
E996N	4" [103]	2.10 [27,8]	.26 [6,5]	3.94 [100,1]	4.50 [114,3]	4.89 [124,2]

**GENERAL NOTES**

- ALL DIMENSIONS ARE FOR REFERENCE ONLY.
- DIMENSIONS IN BRACKETS [ ] ARE IN METRIC UNITS.

**REVISIONS**

\*\* SEE ERN (\*\*\*\*) FOR APPROVAL SIGNATURES & RELEASE DATE.  
PROJECT NO: \*\*\*\*

**Thomas & Betts**  
www.tnb.com

DESCRIPTION:

**BOX ADAPTER**

ORIGINAL PROJECT NO / ( ERN NO )

5AM91009 / [ 2010348 ]

SHEET NO:

1 OF 1

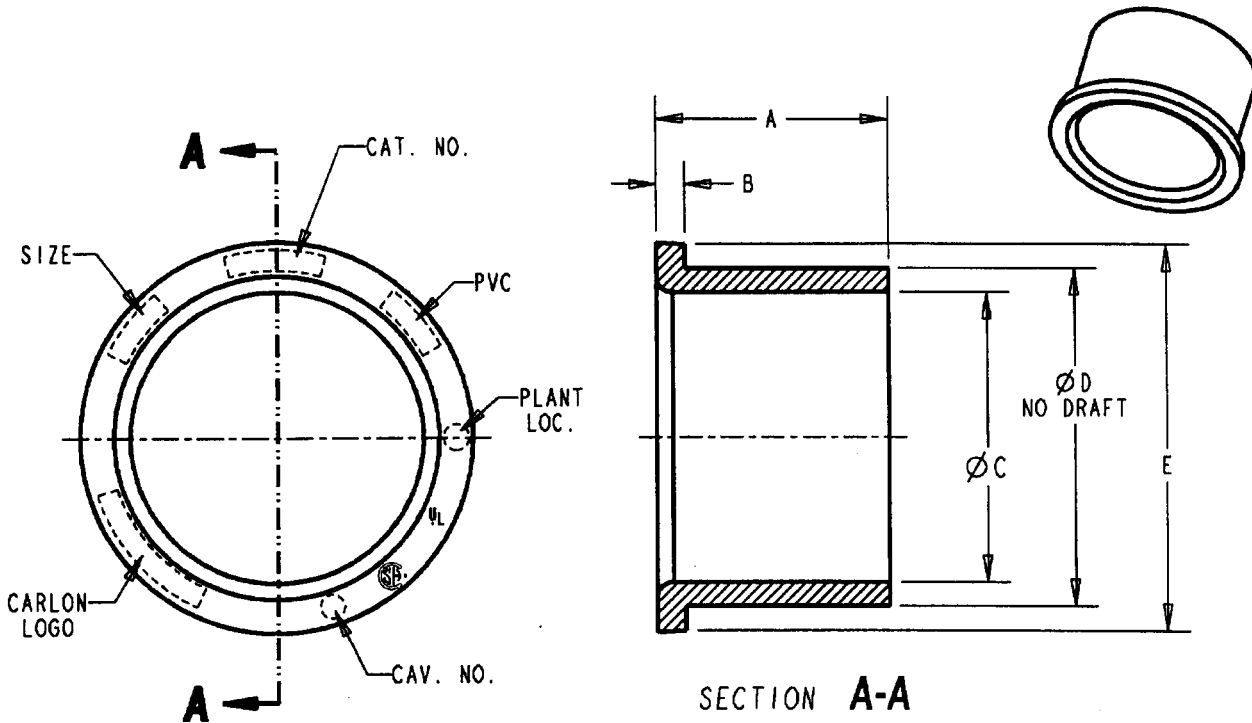
REV. NO:

-

DRAWING NO:

**WSD-AC05218**

# Carlton



CATALOG NUMBER	SIZE	A	B	C	D	E
E996D	1/2" [16]	.85 [21,6]	.13 [3,2]	.64 [16,3]	.84 [21,3]	1.11 [28,1]
E996E	3/4" [21]	.90 [22,9]	.13 [3,2]	.85 [21,6]	1.05 [26,7]	1.32 [33,6]
E996F	1" [27]	1.1 [27,9]	.14 [3,6]	1.1 [27,9]	1.32 [33,4]	1.61 [40,9]
E996G	1 1/4" [35]	1.17 [29,6]	.15 [3,7]	1.39 [35,2]	1.66 [42,2]	1.94 [49,3]
E996H	1 1/2" [41]	1.31 [33,3]	.16 [4,1]	1.64 [41,5]	1.90 [48,3]	2.17 [55,2]
E996J	2" [53]	1.39 [35,3]	.16 [4,1]	2.07 [52,6]	2.38 [60,3]	2.89 [73,5]
E996K	2 1/2" [63]	1.77 [45,0]	.20 [5,1]	2.53 [64,3]	2.88 [73,0]	3.35 [85,2]
E996L	3" [78]	1.90 [48,3]	.24 [6,1]	3.04 [77,2]	3.50 [88,9]	3.98 [101,0]
E996N	4" [103]	2.10 [27,8]	.26 [6,5]	3.94 [100,1]	4.50 [114,3]	4.89 [124,2]

### GENERAL NOTES

- ALL DIMENSIONS ARE FOR REFERENCE ONLY.
- DIMENSIONS IN BRACKETS [ ] ARE IN METRIC UNITS.

### REVISIONS

\*\* SEE ERN (\*\*\*\*) FOR APPROVAL SIGNATURES & RELEASE DATE.  
PROJECT NO: \*\*\*\*

**Thomas & Betts**  
www.tnb.com

DESCRIPTION:

**BOX ADAPTER**

ORIGINAL PROJECT NO / ( ERN NO )

5AM91009 / [ 2010348 ]

SHEET NO:

1 OF 1

REV. NO:

-

DRAWING NO:

**WSD-AC05218**