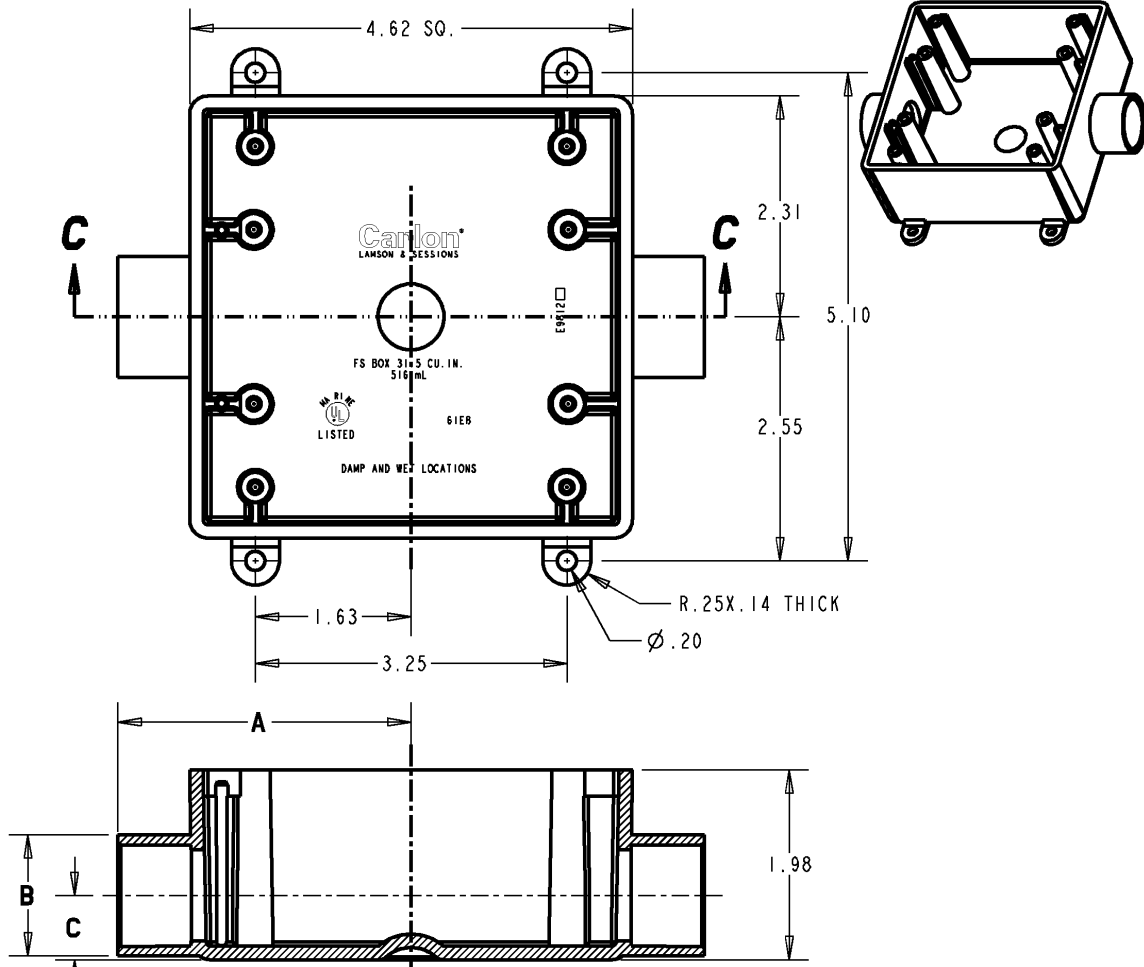


# Carlton



SECTION C-C

E9812F E9812F-CTN E9812FL	1"	3.22	1.535	.805
E9812E E9812E-CTN E9812EL	3/4"	3.06	1.265	.672
E9812D E9812DR E9812DRL	1/2"	2.99	1.05	.566
<b>PART NO.</b>	<b>PORT SIZE</b>	<b>A</b>	<b>B</b>	<b>C</b>

**GENERAL NOTES**

- ALL DIMENSIONS ARE FOR REFERENCE ONLY.
- DIMENSIONS IN BRACKETS [ ] ARE IN METRIC UNITS.

**REVISIONS**

\*\* SEE ERN (\*\*\*\*) FOR APPROVAL SIGNATURES & RELEASE DATE.  
PROJECT NO: \*\*\*\*

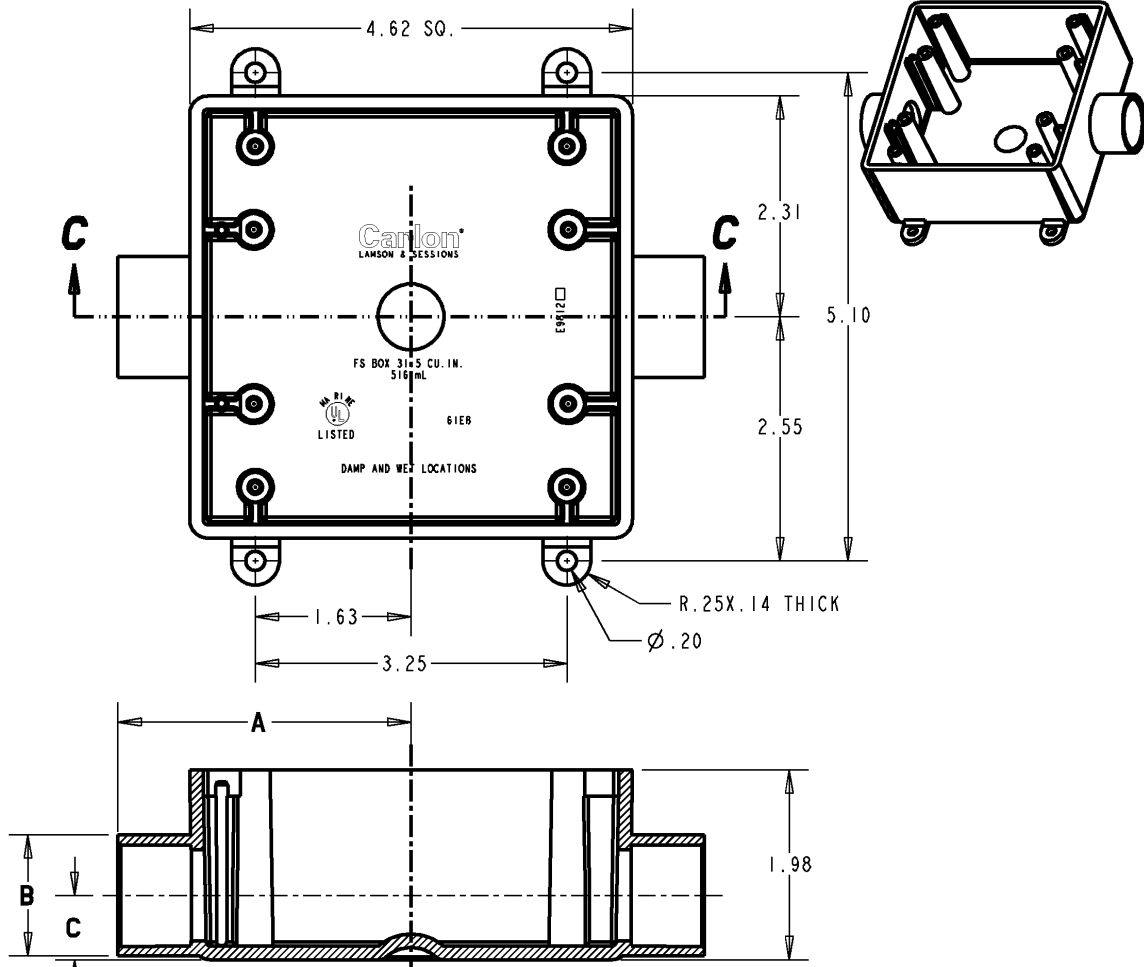
**Thomas & Betts**  
www.tnb.com

**DESCRIPTION: FS BOX - 2 GANG - 2 PORTS**

ORIGINAL PROJECT NO / ( ERN NO )	SHEET NO:	REV. NO:	DRAWING NO:
/ [ ]	1 OF 1	A	WSD-AC03677

THIS DRAWING IS INTENDED FOR DESCRIPTIVE PURPOSES ONLY. AND THE RIGHT IS RESERVED TO DEVIATE FROM ANY OF THE DETAILS SHOWN HEREON.  
©2008 Thomas & Betts - Proprietary. All Rights Reserved

# Carlton



SECTION C-C

E9812F E9812F-CTN E9812FL	1"	3.22	1.535	.805
E9812E E9812E-CTN E9812EL	3/4"	3.06	1.265	.672
E9812D E9812DR E9812DRL	1/2"	2.99	1.05	.566
<b>PART NO.</b>	<b>PORT SIZE</b>	<b>A</b>	<b>B</b>	<b>C</b>

**GENERAL NOTES**

- ALL DIMENSIONS ARE FOR REFERENCE ONLY.
- DIMENSIONS IN BRACKETS [ ] ARE IN METRIC UNITS.

**REVISIONS**

\*\* SEE ERN (\*\*\*\*) FOR APPROVAL SIGNATURES & RELEASE DATE.  
PROJECT NO: \*\*\*\*

**Thomas & Betts**  
www.tnb.com

**DESCRIPTION: FS BOX - 2 GANG - 2 PORTS**

ORIGINAL PROJECT NO / ( ERN NO )	SHEET NO:	REV. NO:	DRAWING NO:
/ [ ]	1 OF 1	A	WSD-AC03677

THIS DRAWING IS INTENDED FOR DESCRIPTIVE PURPOSES ONLY. AND THE RIGHT IS RESERVED TO DEVIATE FROM ANY OF THE DETAILS SHOWN HEREON.  
©2008 Thomas & Betts - Proprietary. All Rights Reserved