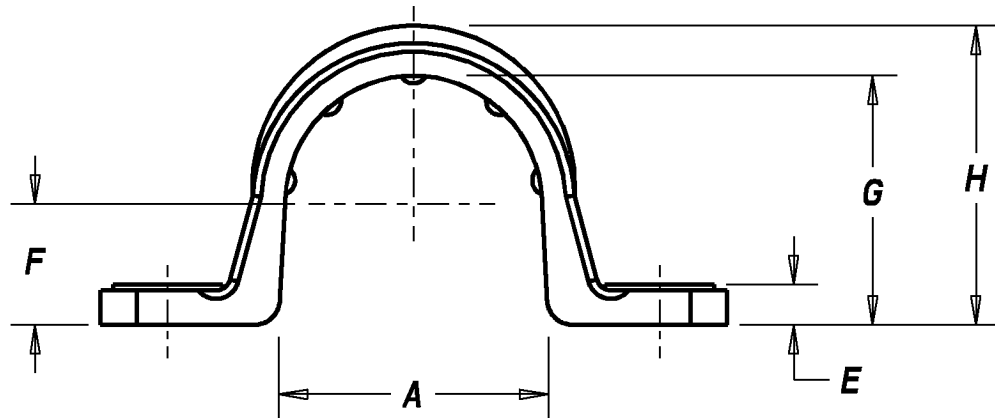
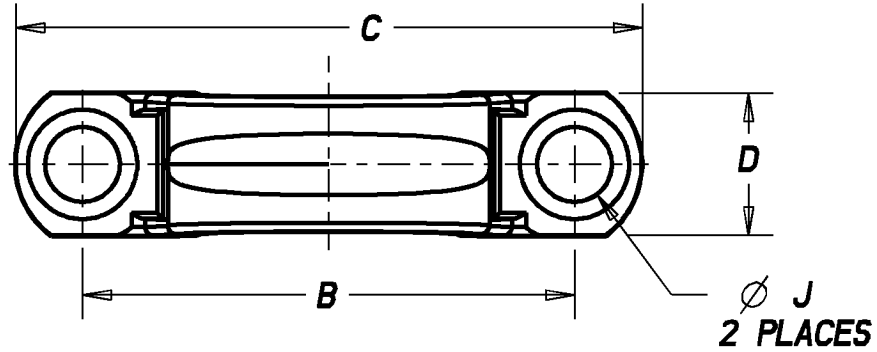


Carlton®



NOTES:

1. MATERIAL: GRAY PVC
2. MATERIAL: ORANGE PVC

GENERAL NOTES

1. ALL DIMENSIONS ARE FOR REFERENCE ONLY.
2. DIMENSIONS IN BRACKETS [] ARE IN METRIC UNITS.

REVISIONS

*** SEE ERN (****) FOR APPROVAL SIGNATURES & RELEASE DATE.
PROJECT NO: ****

Thomas & Betts
www.tnb.com

DESCRIPTION:

CONDUIT CLAMPS

ORIGINAL PROJECT NO / (ERN NO)

/ ()

SHEET NO:

1 OF 2

REV. NO:

C

DRAWING NO:

WSD-AC03405

Carlton®

| NOMINAL SIZE | PART NO. SEE NOTE 1 | PART NO. SEE NOTE 2 | A | B | C | D | E | F | G | H | ØJ |
|--------------|---|---------------------|-----------------|----------------|-----------------|----------------|--------------|----------------|-----------------|-----------------|---------------|
| 1/2" | E977DC E977DC25CL E977DC25L E977DC25-UPC E977DC-CTN E977DCL E977DCW | -- | .892 (22.6) | 1.71 (43.4) | 2.16 (54.8) | .50 (12.7) | .14 (3.5) | .42 (10.6) | .866 (21.9) | 1.04 (26.4) | .260 (6.6) |
| 3/4" | E977EC E977EC20L E977EC20-UPC E977EC-CTN E977ECL | SCE977ECX | 1.102 (27.9) | 1.97 (50.0) | 2.40 (60.9) | .50 (12.7) | .14 (3.5) | .525 (13.3) | 1.076 (27.3) | 1.255 (31.8) | .260 (6.6) |
| 1" | E977FC E977FC-CTN E977FCL | SCE977FCX | 1.39 (35.3) | 2.25 (57.1) | 2.81 (71.3) | .594 (15.0) | .14 (3.5) | .658 (16.7) | 1.342 (34.0) | 1.574 (39.9) | .260 (6.6) |
| 1-1/4" | E977GC E977GC-CTN E977GCL | SCE977GCX | 1.714 (43.5) | 2.68 (68.0) | 3.28 (83.3) | .64 (16.2) | .15 (3.8) | .83 (21.0) | 1.687 (42.8) | 1.89 (48.0) | .320 (8.1) |
| 1-1/2" | E977HC E977HC-CTN E977HCL | SCE977HCX | 1.92 (48.7) | 2.82 (71.6) | 3.44 (87.3) | .70 (17.7) | .15 (3.8) | .97 (24.6) | 1.93 (49.0) | 2.12 (53.8) | .312 (7.9) |
| 2" | E977JC E977JCRCL E977JCR-CTN E977JCRL | SCE977JCX | 2.54 (64.5) | 3.54 (89.9) | 4.18 (106.1) | .76 (19.3) | .16 (4.0) | 1.05 (26.6) | 2.29 (58.1) | 2.49 (63.2) | .315 (8.0) |

NOTES:

1. MATERIAL: GRAY PVC
2. MATERIAL: ORANGE PVC

Thomas & Betts

www.tnb.com

DESCRIPTION:

CONDUIT CLAMPS

SHEET NO:

2 OF 2

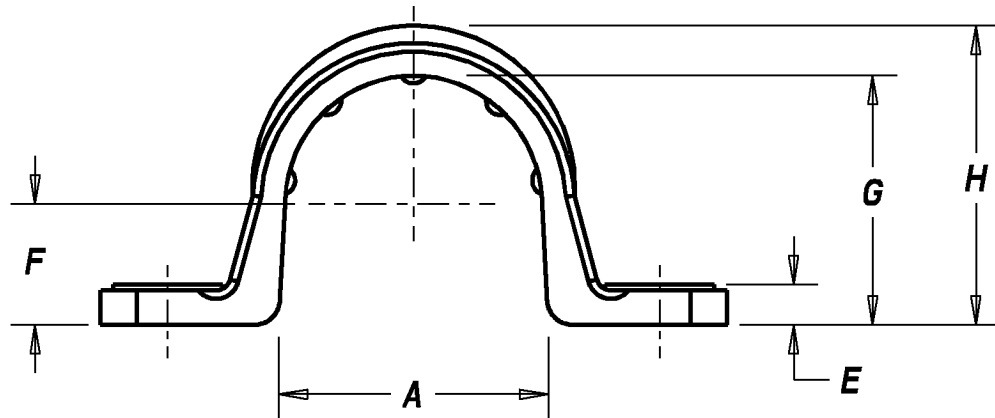
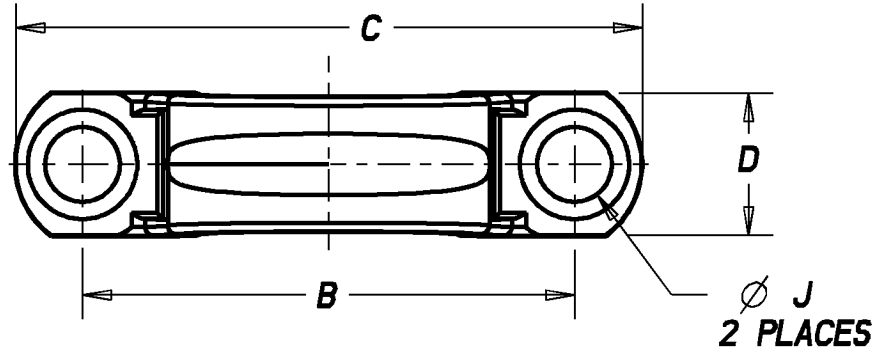
REV. NO:

C

DRAWING NO:

WSD-AC03405

Carlton®



NOTES:

1. MATERIAL: GRAY PVC
2. MATERIAL: ORANGE PVC

GENERAL NOTES

1. ALL DIMENSIONS ARE FOR REFERENCE ONLY.
2. DIMENSIONS IN BRACKETS [] ARE IN METRIC UNITS.

REVISIONS

*** SEE ERN (****) FOR APPROVAL SIGNATURES & RELEASE DATE.
PROJECT NO: ****

Thomas & Betts
www.tnb.com

DESCRIPTION:

CONDUIT CLAMPS

ORIGINAL PROJECT NO / (ERN NO)

/ ()

SHEET NO:

1 OF 2

REV. NO:

C

DRAWING NO:

WSD-AC03405

Carlton®

| NOMINAL SIZE | PART NO. SEE NOTE 1 | PART NO. SEE NOTE 2 | A | B | C | D | E | F | G | H | ØJ |
|--------------|---|---------------------|-----------------|----------------|-----------------|----------------|--------------|----------------|-----------------|-----------------|---------------|
| 1/2" | E977DC E977DC25CL E977DC25L E977DC25-UPC E977DC-CTN E977DCL E977DCW | -- | .892 (22.6) | 1.71 (43.4) | 2.16 (54.8) | .50 (12.7) | .14 (3.5) | .42 (10.6) | .866 (21.9) | 1.04 (26.4) | .260 (6.6) |
| 3/4" | E977EC E977EC20L E977EC20-UPC E977EC-CTN E977ECL | SCE977ECX | 1.102 (27.9) | 1.97 (50.0) | 2.40 (60.9) | .50 (12.7) | .14 (3.5) | .525 (13.3) | 1.076 (27.3) | 1.255 (31.8) | .260 (6.6) |
| 1" | E977FC E977FC-CTN E977FCL | SCE977FCX | 1.39 (35.3) | 2.25 (57.1) | 2.81 (71.3) | .594 (15.0) | .14 (3.5) | .658 (16.7) | 1.342 (34.0) | 1.574 (39.9) | .260 (6.6) |
| 1-1/4" | E977GC E977GC-CTN E977GCL | SCE977GCX | 1.714 (43.5) | 2.68 (68.0) | 3.28 (83.3) | .64 (16.2) | .15 (3.8) | .83 (21.0) | 1.687 (42.8) | 1.89 (48.0) | .320 (8.1) |
| 1-1/2" | E977HC E977HC-CTN E977HCL | SCE977HCX | 1.92 (48.7) | 2.82 (71.6) | 3.44 (87.3) | .70 (17.7) | .15 (3.8) | .97 (24.6) | 1.93 (49.0) | 2.12 (53.8) | .312 (7.9) |
| 2" | E977JC E977JCRCL E977JCR-CTN E977JCRL | SCE977JCX | 2.54 (64.5) | 3.54 (89.9) | 4.18 (106.1) | .76 (19.3) | .16 (4.0) | 1.05 (26.6) | 2.29 (58.1) | 2.49 (63.2) | .315 (8.0) |

NOTES:

1. MATERIAL: GRAY PVC
2. MATERIAL: ORANGE PVC

Thomas & Betts
www.tnb.com

DESCRIPTION: **CONDUIT CLAMPS**

SHEET NO:

2 OF 2

REV. NO:

C

DRAWING NO:

WSD-AC03405