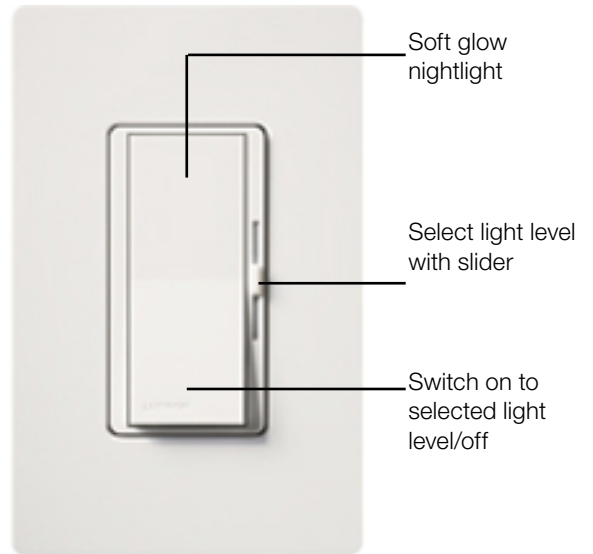


Diva Controls

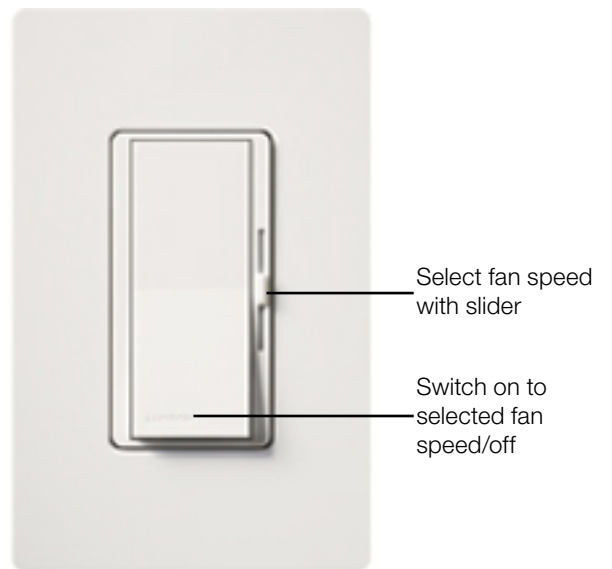
Diva 3-Way Dimmers

Features

- Large paddle switch with a captive linear-slide dimmer for a standard designer wallplate opening.
- Full family of products for most lighting sources.
- Dimmers feature built-in soft-glow nightlight.
- Use standard single-pole and 3-way wiring for easy installation in any home.
- For more choices, see the new Diva Satin Colors product line.



Preset Dimmer



Preset Fan-Speed Control

Job Name:	Model Numbers:
Job Number:	

Specifications

Standard Features

- Square law dimming
- Captive linear slider
- Precise color matching

Standards

- UL listed
- CSA
- NOM

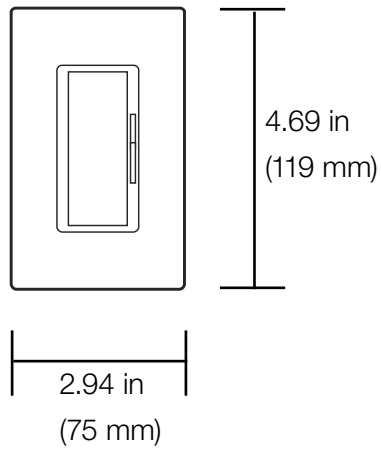
Power / Performance

- 120 V~ 60 Hz
- Power-failure memory
- Electrostatic discharge tested
- RFI Suppression

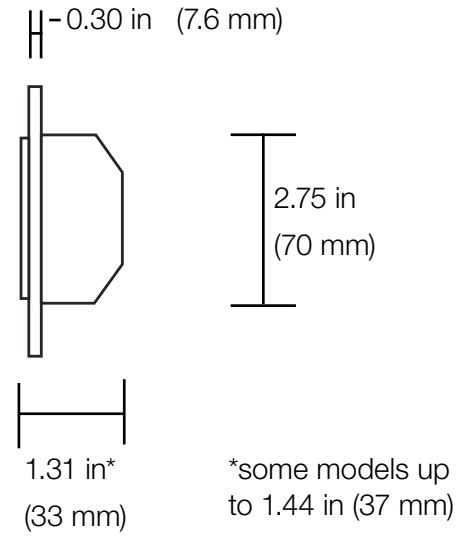
Job Name: Job Number:	Model Numbers:
------------------------------	----------------

Dimensions

Front



Profile



Job Name:	Model Numbers:
Job Number:	

Description Max Capacity^{1,6} Model #

Dimmers

Incandescent

Preset Dimmers with Nightlight		
Single-pole	1000 W	DV-10P-
3-way	1000 W	DV-103P-

Note: The nightlight is visible best on the lighter color. For 3-way and 4-way switching, use with Claro switches or other mechanical switches.

Electronic Low-Voltage

Preset Dimmers with Nightlight		
Single-pole	300 W	DVELV-300P-
3-way	300 W	DVELV-303P-

Note: Requires neutral wire connection wire connection. The nightlight is visible best on the lighter colors. For 3-way and 4-way switching, use with Claro switches or other mechanical switches.

Magnetic Low-Voltage

Preset Dimmers with Nightlight		
Single-pole	600 VA (450 W) ²	DVLV-600P-
Single-pole	1000 VA (800 W) ²	DVLV-10P-
3-way	600 VA (450 W) ²	DVLV-603P-
3-way	1000 VA (800 W) ²	DVLV-103P-

Note: The nightlight is visible best on the lighter colors. For 3-way and 4-way switching, use with Claro switches or other mechanical switches.

3-Wire LED/Fluorescent Ballast

Preset Dimmers with Nightlight ⁴		
Single-pole, 277 V~	8 A	DVF-103P-
Single-pole	6 A	DVF-103P-277 V
3-way	8 A	DVF-103P-
3-way, 277 V~	6 A	DVF-103P-277 V

Note: Requires neutral wire connection. The nightlight is visible best on the lighter colors. For 3-way and 4-way switching, use with Claro switches or other mechanical switches.

1 For capacities in multigang installations see **Derating/Maximum Capacity** on pg. 4
 2 Actual lamp wattages.
 3 For 3-way and 4-way switching, use with Claro switches or other mechanical switches.
 4 No derating required if ganged.
 5 A physical barrier (partition) must exist when ganging with line-voltage products.
 6 For minimum load requirements see **Minimum Load Requirements** on pg. 5

Job Name:	Model Numbers:
Job Number:	

Description Max Capacity^{1,6} Model #

Fan-Speed Controls

Quiet Controls

Preset Fan-Speed Controls ^{3,4}		
Single-pole/3-way	1.5 A	DVFSQ-F-
3-speed		

Preset Dimmers with Nightlight ⁴		
Fan 3-speed with off	1.5 A	DVFSQ-LF-
Single-pole switch:		
Inc./Hal.	2 A	
CFL/LED	1 A	

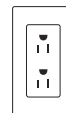
Note: Does not have soft-glow nightlight.

Switches⁴

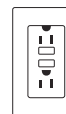
General Purpose Switching of all Sources and Motor Loads

Single-pole, 120/277 V~	15 A	CA-1PS-
3-way, 120/277 V~	15 A	CA-3PS-
4-way, 120/277 V~	15 A	CA-4PS-

Accessories

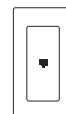


Receptacle ⁴		
125 V~	15 A	CAR-15-
125 V~	20 A	CAR-20-



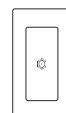
GFCI Receptacle ⁴		
125 V~	15 A	CAR-15-GFST-
125 V~	20 A	CAR-20-GFST-

A physical barrier (partition) must exist when ganging with line-voltage products



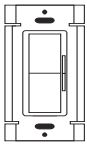
Single Telephone Jack ⁵		
6 Conductor, RJ11	15 A	CA-PJ-

Note: Also accepts most 4-conductor plugs

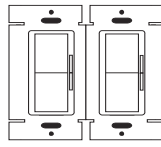


Cable TV Jack ^{4,5}		
F-Style		
75 Ω, coaxial cable jack		CA-CJ-

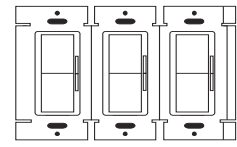
Derating/Maximum Capacity



No side sections removed
(Full Capacity)



One side section removed
(End Units)



Two side sections removed
(Middle Unit)

Incandescent Dimmers

600 W	500 W	400 W
1000 W	800 W	650 W

Electronic Low-Voltage

300 W	250 W	200 W
-------	-------	-------

Magnetic Low-Voltage

600 VA (450 W ¹)	500 VA (375 W ¹)	400 VA (300 W ¹)
---------------------------------	---------------------------------	---------------------------------

1000 VA (800 W ¹)	800 VA (650 W ¹)	650 VA (500 W ¹)
----------------------------------	---------------------------------	---------------------------------

Fluorescent Hi-lume/Eco-10 (ECO-Series)

20 ballasts / 8 A	No derating required
-------------------	----------------------

Fan-Speed Controls

1.5 A	No derating required
-------	----------------------

¹ Actual lamp wattage.

Minimum Load Requirements

- Incandescent/Magnetic Low-Voltage: 40 W
- Electronic Low-Voltage: 5 W
- Fluorescent
 - Hi-lume/Eco-10 (Eco Series): 1 ballast
- Fan-Speed Controls: .33 A (40 W)

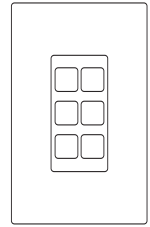
Job Name:	Model Numbers:
Job Number:	

Accessories

Field Customizable Multi-Port Frame










- 6-Port frame with 6 blanks
- CA-6PF-**

** For use with Lutron connectors shown below. Also compatible with Hubbell Xcelerator and snap-fit connectors.



Connectors

- For use with 6-Port frame (CA-6PF-**).
- Each connector fills one port.
- Available in white only.

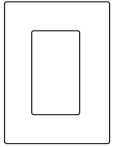
Phone Jack		6-conductor, RJ11, Category 3	CON-1P-C3-WH
Phone Jack		8-conductor, RJ45, Category 5e	CON-1P-C5E-WH
Phone Jack		8-conductor, RJ45, Category 6	CON-1P-C6-WH
Fiber Jack		MT-RJ Feed-Through	CON-1F-MTRJ-WH
Fiber Jack		SC Simplex	CON-1F-SC-WH
Fiber Jack		LC Non-Flush Mount	CON-1F-LC-WH
Fiber Jack		ST Style	CON-1F-ST-WH
Cable Jack		F-Style, 75 Ω Coaxial cable	CON-1C-WH
BNC Jack		BNC Connector	CON-1B-WH

Job Name:	Model Numbers:
Job Number:	

Standard Wallplates

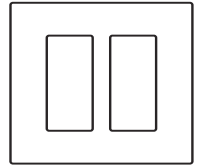
1-Gang CW-1-

2.94 in (75 mm) W x 4.69 in (119 mm) H x 0.30 in (7.6 mm) D



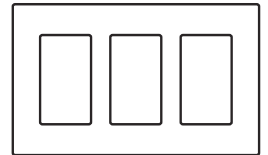
2-Gang CW-2-

4.75 in (121 mm) W x 4.69 in (119 mm) H x 0.30 in (7.6 mm) D



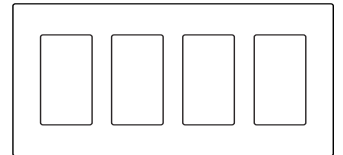
3-Gang CW-3-

6.56 in (167 mm) W x 4.69 in (119 mm) H x 0.30 in (7.6 mm) D



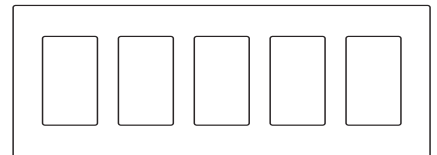
4-Gang CW-4-

8.37 in (213 mm) W x 4.69 in (119 mm) H x 0.30 in (7.6 mm) D



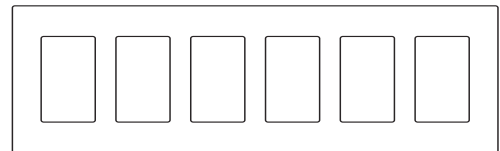
5-Gang CW-5-

10.18 in (259 mm) W x 4.69 in (119 mm) H x 0.30 in (7.6 mm) D



6-Gang CW-6-

12.00 in (305 mm) W x 4.69 in (119 mm) H x 0.30 in (7.6 mm) D



Standard Colors/Finishes

For the latest color offerings, please see our website: www.lutron.com/colors

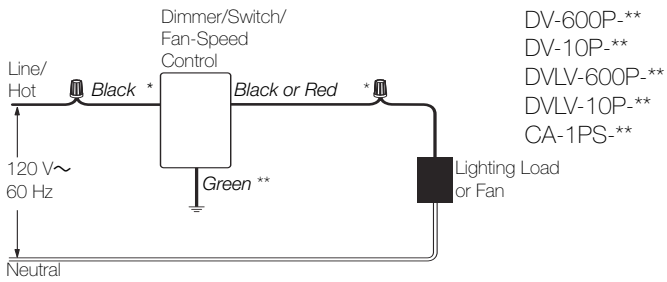
Job Name:	Model Numbers:
Job Number:	

Wiring Diagrams

Wiring Diagram 1

Single-Pole Wiring

Model



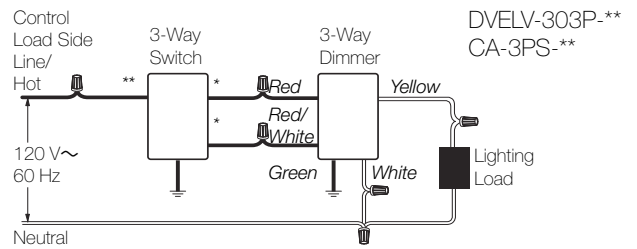
- DV-600P-**
- DV-10P-**
- DVLV-600P-**
- DVLV-10P-**
- CA-1PS-**

- Ground * or Brass screw terminal
- Wire Connectors ** or Green screw terminal

Wiring Diagram 4

3-Way Wiring

Model



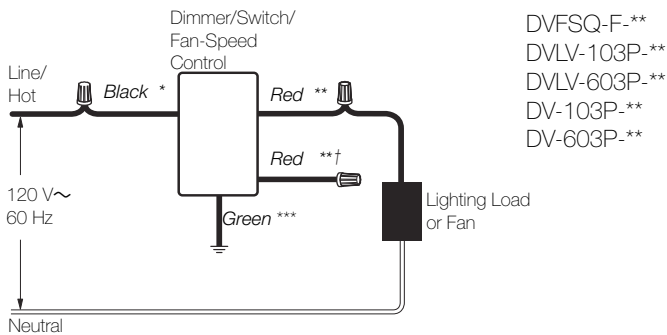
- DVELV-303P-**
- CA-3PS-**

- Ground * or Copper/Black screw terminal
- Wire Connectors ** or Brass/Gold screw terminal

Note: 3-way switch must be wired on the line side of the dimmer.

Wiring Diagram 2

Single-Pole Wiring of 3-Way Control Model



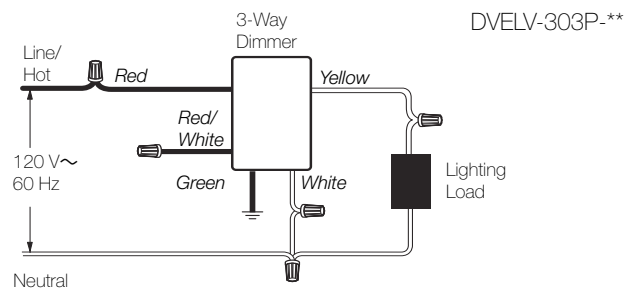
- DVFSQ-F-**
- DVLV-103P-**
- DVLV-603P-**
- DV-103P-**
- DV-603P-**

- Ground * or Copper/Black screw terminal
- Wire Connectors ** or Brass screw terminal
- *** or Green screw terminal
- † or Red/White stripe (cap off)

Wiring Diagram 5

3-Way Used as Single-Pole

Model



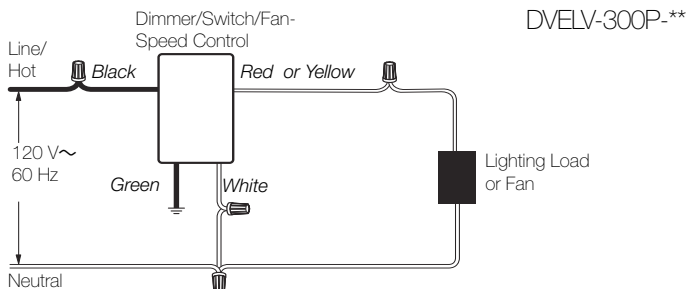
- DVELV-303P-**

- Ground
- Wire Connectors

Wiring Diagram 3

Single-Pole Wiring

Model



- DVELV-300P-**

- Ground
- Wire Connectors

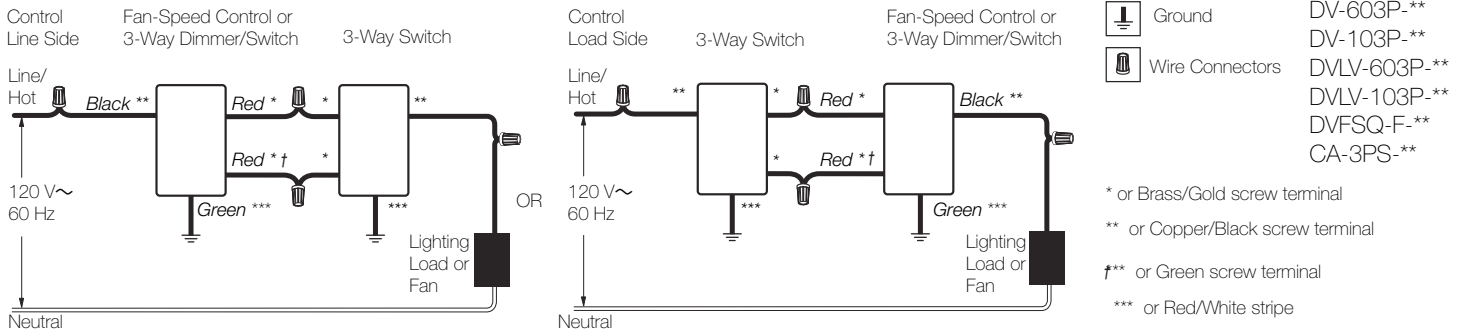
Job Name:	Model Numbers:
Job Number:	

Wiring Diagrams

Wiring Diagram 6

3-Way Wiring

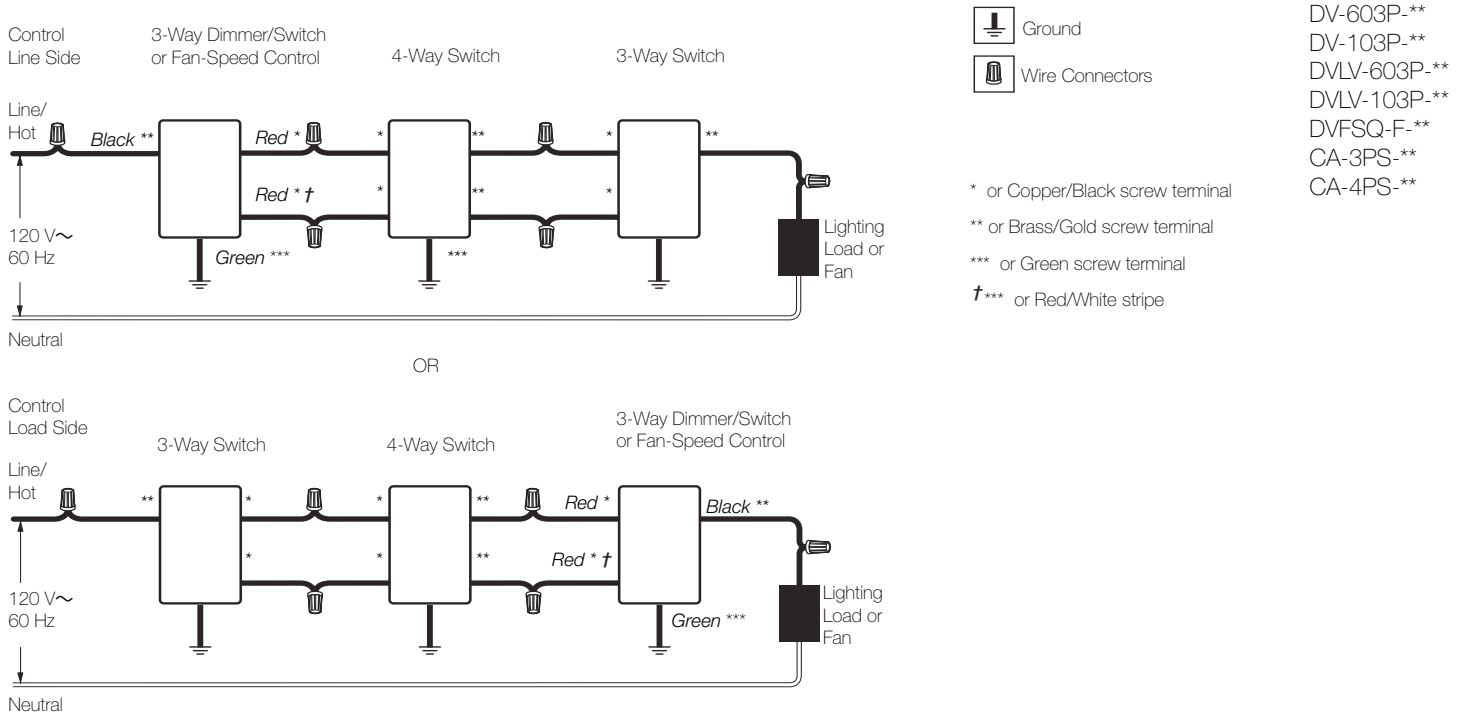
Model



Wiring Diagram 7

4-Way Wiring

Model



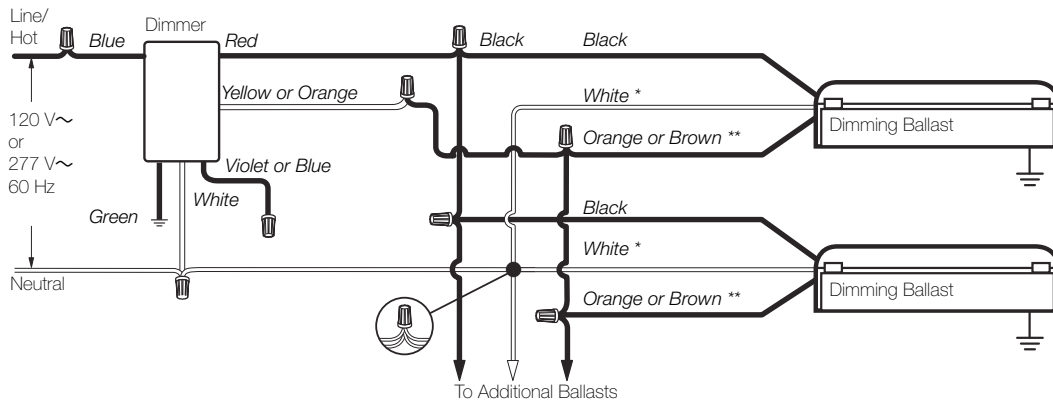
Job Name:	Model Numbers:
Job Number:	

Wiring Diagrams

Wiring Diagram 8

Single-Pole Wiring of a 3-Way Control

Model #

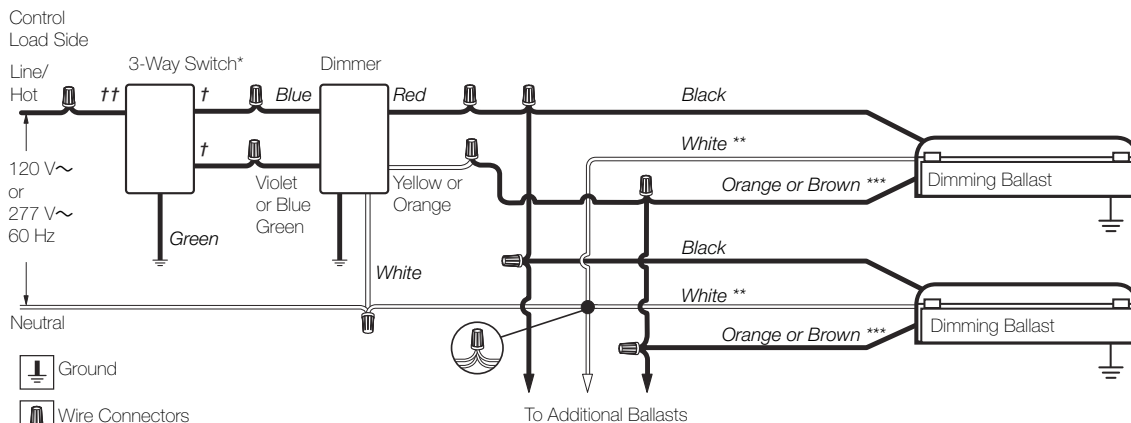


- Ground
 - Wire Connectors
 - Typical 4-Wire Connection
- * must use lamp disconnect sockets with electronic dimming ballasts
- ** or Yellow/Blue or Yellow/Green when used with magnetic dimming ballasts
- Model #
DVF-103P-**
DVF-103P-277-**

Wiring Diagram 9

3-Way Wiring

Model #



- Ground
- Wire Connectors
- Typical 4-Wire Connection

* 3-Way switch must be wired on line side of dimmer
 ** must use lamp disconnect sockets with electronic dimming ballasts
 *** or Yellow/Blue or Yellow/Green when used with magnetic dimming ballasts
 † or Copper/Black screw terminal
 †† or Brass/Gold screw terminal

Model #
DVF-103P-**
DVF-103P-277-**
CA-3PS-**

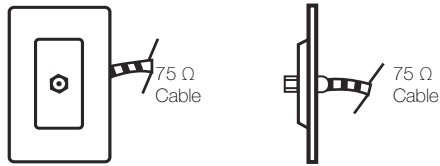
Job Name:	Model Numbers:
Job Number:	

Wiring Diagrams

Wiring Diagram 10

Cable TV Jack Wiring

Model #



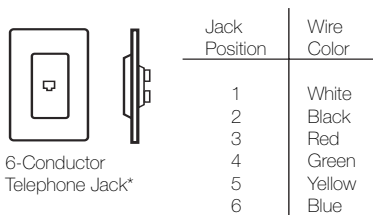
CA-CJ-**

Cable TV Jack

Wiring Diagram 11

Telephone Jack Wiring

Model #



CA-PJ-**

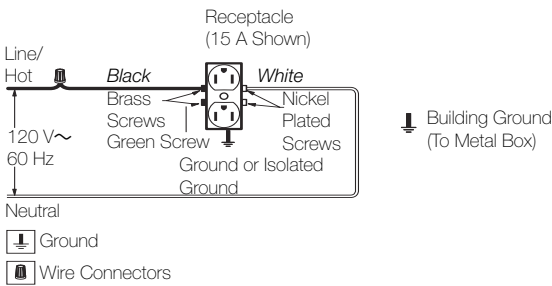
6-Conductor Telephone Jack*

*accepts most 4-conductor jacks

Wiring Diagram 12

Receptacle Wiring

Model #

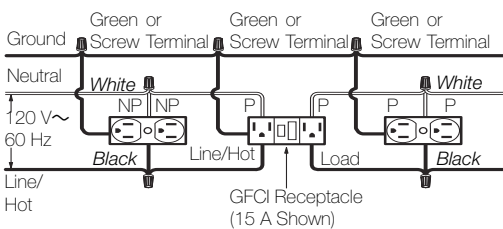


CAR-15-**

Wiring Diagram 13

GFCI Receptacle Wiring

Model #



CAR-15-GFST-**

P - Protected
 NP - Not Protected

Wire Connectors

The Lutron logo, Lutron, Diva, Claro, Hi-lume, Eco-10, and Satin Colors are trademarks or registered trademarks of Lutron Electronics Co., Inc. in the US and/or other countries.

All other product names, logos, and brands are property of their respective owners.

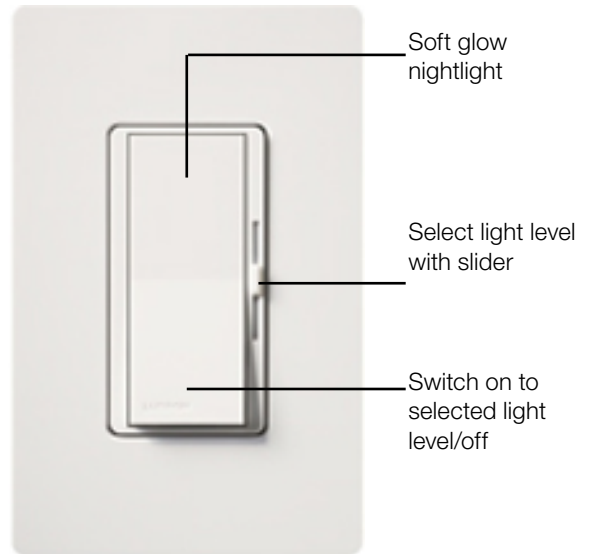
Job Name:	Model Numbers:
Job Number:	

Diva Controls

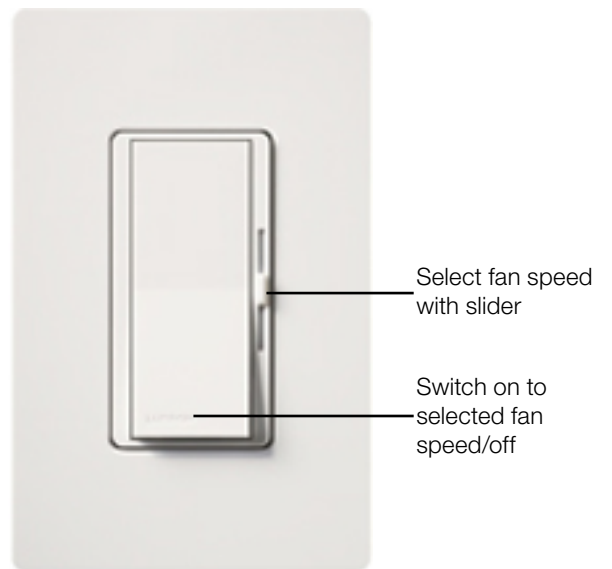
Diva 3-Way Dimmers

Features

- Large paddle switch with a captive linear-slide dimmer for a standard designer wallplate opening.
- Full family of products for most lighting sources.
- Dimmers feature built-in soft-glow nightlight.
- Use standard single-pole and 3-way wiring for easy installation in any home.
- For more choices, see the new Diva Satin Colors product line.



Preset Dimmer



Preset Fan-Speed Control

Job Name:	Model Numbers:
Job Number:	

Specifications

Standard Features

- Square law dimming
- Captive linear slider
- Precise color matching

Standards

- UL listed
- CSA
- NOM

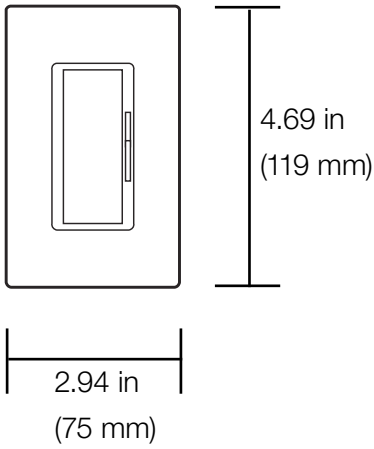
Power / Performance

- 120 V~ 60 Hz
- Power-failure memory
- Electrostatic discharge tested
- RFI Suppression

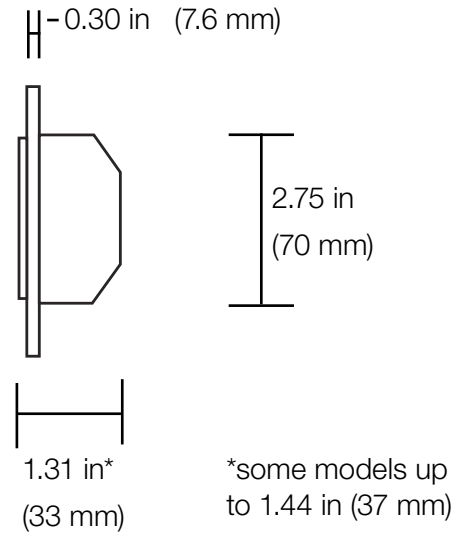
Job Name: Job Number:	Model Numbers:
------------------------------	----------------

Dimensions

Front



Profile



Job Name:	Model Numbers:
Job Number:	

Description Max Capacity^{1,6} Model #

Dimmers

Incandescent

Preset Dimmers with Nightlight		
Single-pole	1000 W	DV-10P-
3-way	1000 W	DV-103P-

Note: The nightlight is visible best on the lighter color. For 3-way and 4-way switching, use with Claro switches or other mechanical switches.

Electronic Low-Voltage

Preset Dimmers with Nightlight		
Single-pole	300 W	DVELV-300P-
3-way	300 W	DVELV-303P-

Note: Requires neutral wire connection wire connection. The nightlight is visible best on the lighter colors. For 3-way and 4-way switching, use with Claro switches or other mechanical switches.

Magnetic Low-Voltage

Preset Dimmers with Nightlight		
Single-pole	600 VA (450 W) ²	DVLV-600P-
Single-pole	1000 VA (800 W) ²	DVLV-10P-
3-way	600 VA (450 W) ²	DVLV-603P-
3-way	1000 VA (800 W) ²	DVLV-103P-

Note: The nightlight is visible best on the lighter colors. For 3-way and 4-way switching, use with Claro switches or other mechanical switches.

3-Wire LED/Fluorescent Ballast

Preset Dimmers with Nightlight ⁴		
Single-pole, 277 V~	8 A	DVF-103P-
Single-pole	6 A	DVF-103P-277 V
3-way	8 A	DVF-103P-
3-way, 277 V~	6 A	DVF-103P-277 V

Note: Requires neutral wire connection. The nightlight is visible best on the lighter colors. For 3-way and 4-way switching, use with Claro switches or other mechanical switches.

1 For capacities in multigang installations see **Derating/Maximum Capacity** on pg. 4
 2 Actual lamp wattages.
 3 For 3-way and 4-way switching, use with Claro switches or other mechanical switches.
 4 No derating required if ganged.
 5 A physical barrier (partition) must exist when ganging with line-voltage products.
 6 For minimum load requirements see **Minimum Load Requirements** on pg. 5

Job Name:	Model Numbers:
Job Number:	

Description Max Capacity^{1,6} Model #

Fan-Speed Controls

Quiet Controls

Preset Fan-Speed Controls ^{3,4}		
Single-pole/3-way	1.5 A	DVFSQ-F-
3-speed		

Preset Dimmers with Nightlight ⁴		
Fan 3-speed with off	1.5 A	DVFSQ-LF-
Single-pole switch:		
Inc./Hal.	2 A	
CFL/LED	1 A	

Note: Does not have soft-glow nightlight.

Switches⁴

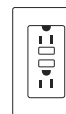
General Purpose Switching of all Sources and Motor Loads

Single-pole, 120/277 V~	15 A	CA-1PS-
3-way, 120/277 V~	15 A	CA-3PS-
4-way, 120/277 V~	15 A	CA-4PS-

Accessories

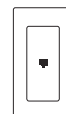


Receptacle ⁴		
125 V~	15 A	CAR-15-
125 V~	20 A	CAR-20-



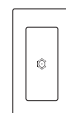
GFCI Receptacle ⁴		
125 V~	15 A	CAR-15-GFST-
125 V~	20 A	CAR-20-GFST-

A physical barrier (partition) must exist when ganging with line-voltage products



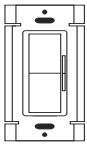
Single Telephone Jack ⁵		
6 Conductor, RJ11	15 A	CA-PJ-

Note: Also accepts most 4-conductor plugs

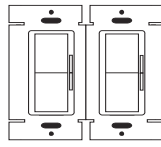


Cable TV Jack ^{4,5}		
F-Style		
75 Ω, coaxial cable jack		CA-CJ-

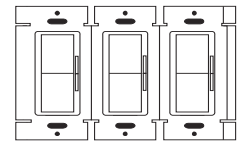
Derating/Maximum Capacity



No side sections removed
(Full Capacity)



One side section removed
(End Units)



Two side sections removed
(Middle Unit)

Incandescent Dimmers

600 W	500 W	400 W
1000 W	800 W	650 W

Electronic Low-Voltage

300 W	250 W	200 W
-------	-------	-------

Magnetic Low-Voltage

600 VA (450 W ¹)	500 VA (375 W ¹)	400 VA (300 W ¹)
---------------------------------	---------------------------------	---------------------------------

1000 VA (800 W ¹)	800 VA (650 W ¹)	650 VA (500 W ¹)
----------------------------------	---------------------------------	---------------------------------

Fluorescent Hi-lume/Eco-10 (ECO-Series)

20 ballasts / 8 A	No derating required
-------------------	----------------------

Fan-Speed Controls

1.5 A	No derating required
-------	----------------------

¹ Actual lamp wattage.

Minimum Load Requirements

- Incandescent/Magnetic Low-Voltage: 40 W
- Electronic Low-Voltage: 5 W
- Fluorescent
 - Hi-lume/Eco-10 (Eco Series): 1 ballast
- Fan-Speed Controls: .33 A (40 W)

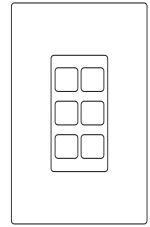
Job Name:	Model Numbers:
Job Number:	

Accessories

Field Customizable Multi-Port Frame










- 6-Port frame with 6 blanks
- CA-6PF-**

** For use with Lutron connectors shown below. Also compatible with Hubbell Xcelerator and snap-fit connectors.



Connectors

- For use with 6-Port frame (CA-6PF-**).
- Each connector fills one port.
- Available in white only.

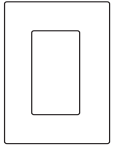
Phone Jack		6-conductor, RJ11, Category 3	CON-1P-C3-WH
Phone Jack		8-conductor, RJ45, Category 5e	CON-1P-C5E-WH
Phone Jack		8-conductor, RJ45, Category 6	CON-1P-C6-WH
Fiber Jack		MT-RJ Feed-Through	CON-1F-MTRJ-WH
Fiber Jack		SC Simplex	CON-1F-SC-WH
Fiber Jack		LC Non-Flush Mount	CON-1F-LC-WH
Fiber Jack		ST Style	CON-1F-ST-WH
Cable Jack		F-Style, 75 Ω Coaxial cable	CON-1C-WH
BNC Jack		BNC Connector	CON-1B-WH

Job Name:	Model Numbers:
Job Number:	

Standard Wallplates

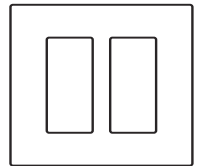
1-Gang CW-1-

2.94 in (75 mm) W x 4.69 in (119 mm) H x 0.30 in (7.6 mm) D



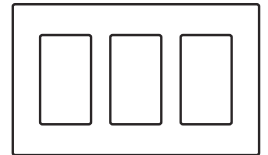
2-Gang CW-2-

4.75 in (121 mm) W x 4.69 in (119 mm) H x 0.30 in (7.6 mm) D



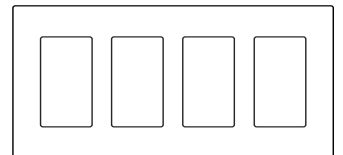
3-Gang CW-3-

6.56 in (167 mm) W x 4.69 in (119 mm) H x 0.30 in (7.6 mm) D



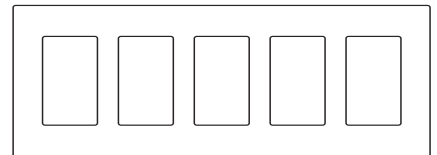
4-Gang CW-4-

8.37 in (213 mm) W x 4.69 in (119 mm) H x 0.30 in (7.6 mm) D



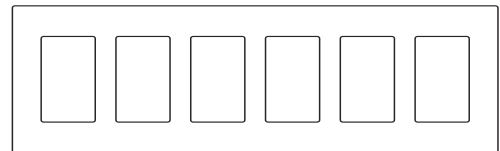
5-Gang CW-5-

10.18 in (259 mm) W x 4.69 in (119 mm) H x 0.30 in (7.6 mm) D



6-Gang CW-6-

12.00 in (305 mm) W x 4.69 in (119 mm) H x 0.30 in (7.6 mm) D



Standard Colors/Finishes

For the latest color offerings, please see our website: www.lutron.com/colors

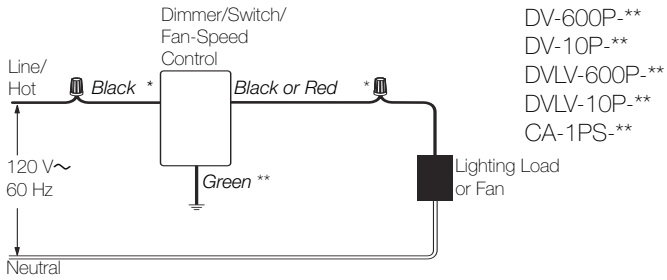
Job Name:	Model Numbers:
Job Number:	

Wiring Diagrams

Wiring Diagram 1

Single-Pole Wiring

Model



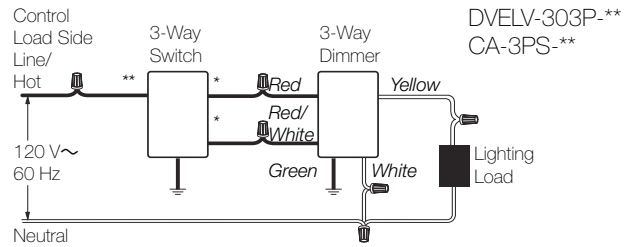
- DV-600P-**
- DV-10P-**
- DVLV-600P-**
- DVLV-10P-**
- CA-1PS-**

- Ground * or Brass screw terminal
- Wire Connectors ** or Green screw terminal

Wiring Diagram 4

3-Way Wiring

Model



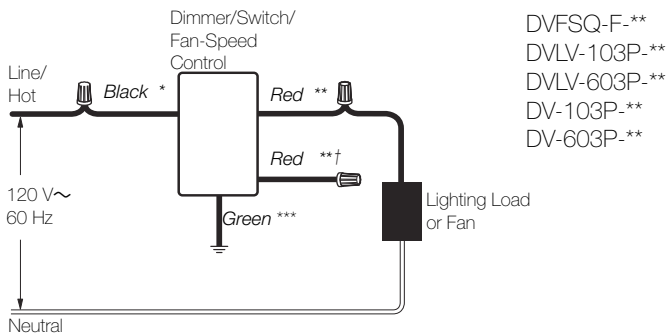
- DVELV-303P-**
- CA-3PS-**

- Ground * or Copper/Black screw terminal
- Wire Connectors ** or Brass/Gold screw terminal

Note: 3-way switch must be wired on the line side of the dimmer.

Wiring Diagram 2

Single-Pole Wiring of 3-Way Control Model



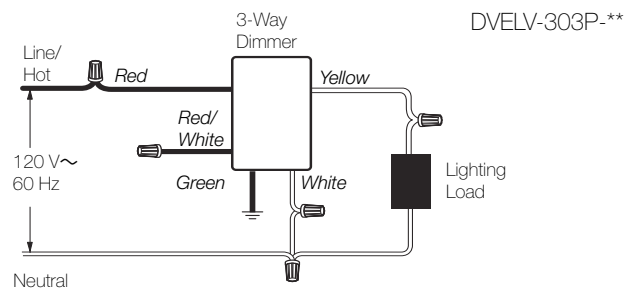
- DVFSQ-F-**
- DVLV-103P-**
- DVLV-603P-**
- DV-103P-**
- DV-603P-**

- Ground * or Copper/Black screw terminal
- Wire Connectors ** or Brass screw terminal
- *** or Green screw terminal
- † or Red/White stripe (cap off)

Wiring Diagram 5

3-Way Used as Single-Pole

Model



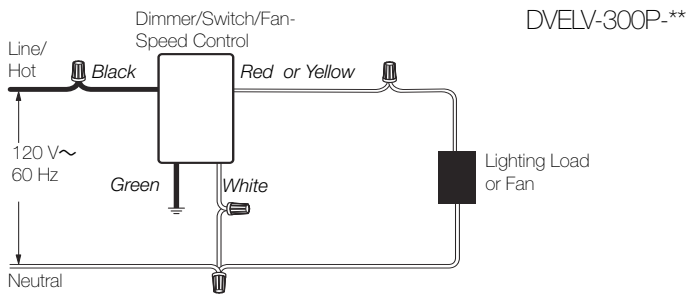
- DVELV-303P-**

- Ground
- Wire Connectors

Wiring Diagram 3

Single-Pole Wiring

Model



- DVELV-300P-**

- Ground
- Wire Connectors

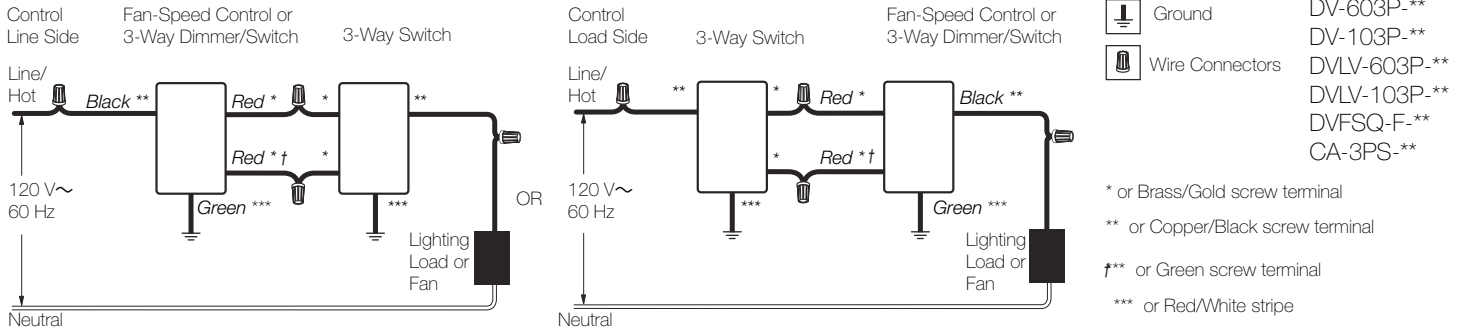
Job Name:	Model Numbers:
Job Number:	

Wiring Diagrams

Wiring Diagram 6

3-Way Wiring

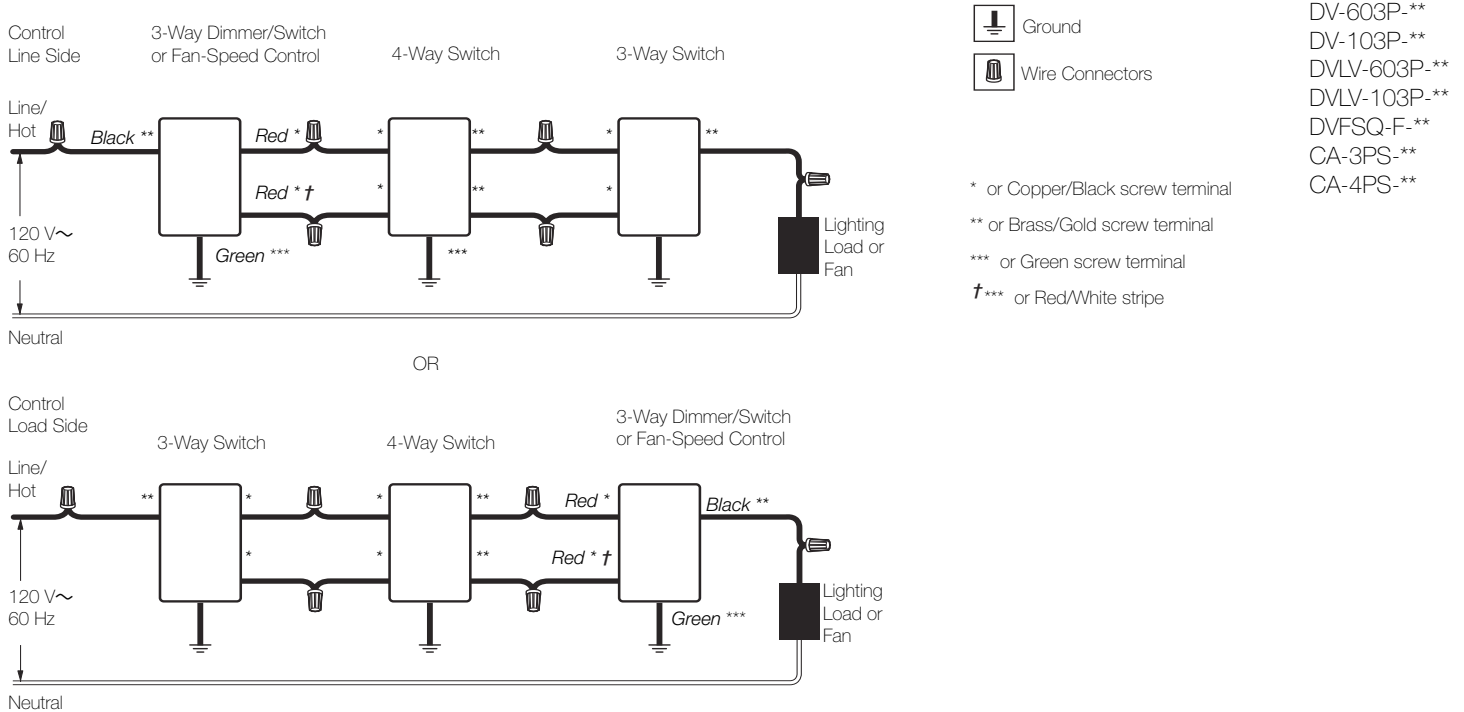
Model



Wiring Diagram 7

4-Way Wiring

Model



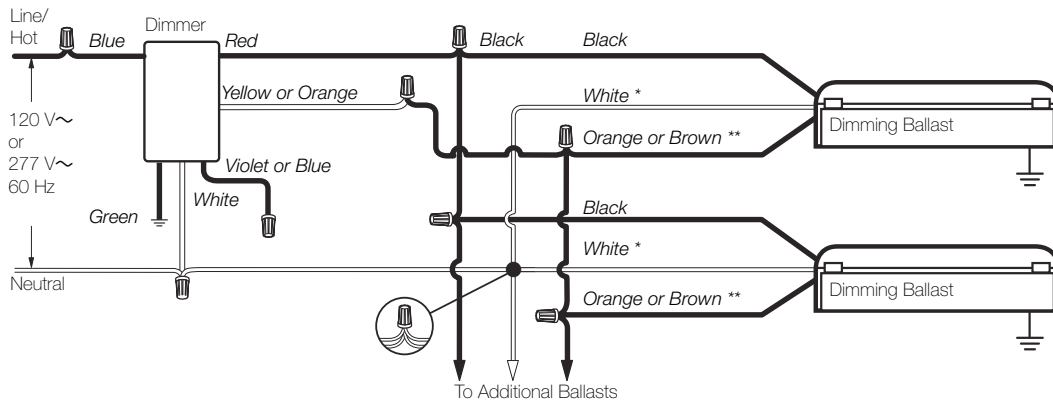
Job Name:	Model Numbers:
Job Number:	

Wiring Diagrams

Wiring Diagram 8

Single-Pole Wiring of a 3-Way Control

Model #



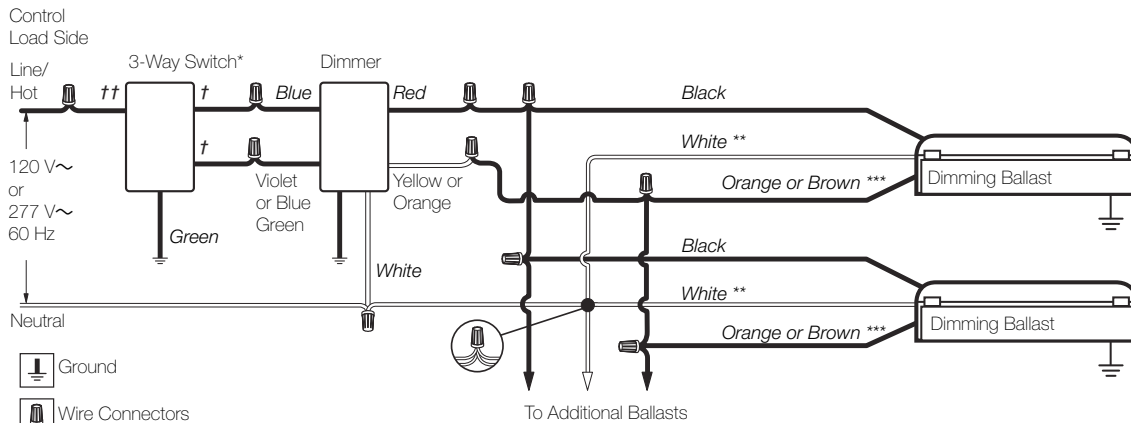
- Ground
 - Wire Connectors
 - Typical 4-Wire Connection
- * must use lamp disconnect sockets with electronic dimming ballasts
- ** or Yellow/Blue or Yellow/Green when used with magnetic dimming ballasts

DVF-103P-**
DVF-103P-277-**

Wiring Diagram 9

3-Way Wiring

Model #



- Ground
- Wire Connectors
- Typical 4-Wire Connection

* 3-Way switch must be wired on line side of dimmer
 ** must use lamp disconnect sockets with electronic dimming ballasts
 *** or Yellow/Blue or Yellow/Green when used with magnetic dimming ballasts
 † or Copper/Black screw terminal
 †† or Brass/Gold screw terminal

DVF-103P-**
DVF-103P-277-**
CA-3PS-**

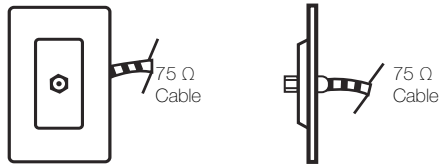
Job Name:	Model Numbers:
Job Number:	

Wiring Diagrams

Wiring Diagram 10

Cable TV Jack Wiring

Model #



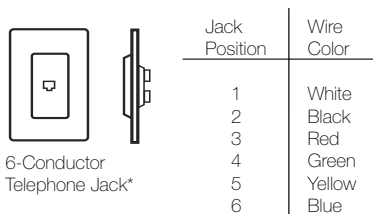
CA-CJ-**

Cable TV Jack

Wiring Diagram 11

Telephone Jack Wiring

Model #



CA-PJ-**

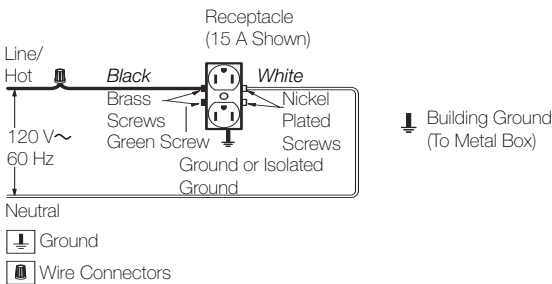
6-Conductor Telephone Jack*

*accepts most 4-conductor jacks

Wiring Diagram 12

Receptacle Wiring

Model #



CAR-15-**

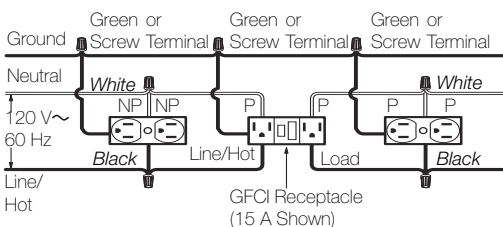
Ground

Wire Connectors

Wiring Diagram 13

GFCI Receptacle Wiring

Model #



CAR-15-GFST-**

P - Protected
NP - Not Protected

Wire Connectors

The Lutron logo, Lutron, Diva, Claro, Hi-lume, Eco-10, and Satin Colors are trademarks or registered trademarks of Lutron Electronics Co., Inc. in the US and/or other countries.

All other product names, logos, and brands are property of their respective owners.

Job Name:	Model Numbers:
Job Number:	