

Air Conditioning Disconnects

Air Conditioning Disconnects



6.1 Air Conditioning Disconnects

| | |
|---|---------|
| Product Description | V1-T6-2 |
| Application Description | V1-T6-2 |
| Features, Benefits and Functions | V1-T6-3 |
| Standards and Certifications | V1-T6-3 |
| Product Selection | V1-T6-4 |
| Cross-Reference | V1-T6-6 |
| Technical Data and Specifications | V1-T6-7 |
| Dimensions | V1-T6-7 |



Revision notes

Volume 1—Residential and Light Commercial, CA08100002E

Tab 6—Air Conditioning Disconnects

| Revision date | Section | Change page(s) | Description |
|---------------|---------|----------------|---|
| 02/19/2018 | All | All | Change to revision date to match print version, February 2018 |



6.1

Air Conditioning Disconnects

Fused, Unfused and Molded Case Switch

Air Conditioning Disconnects



Complete Line of Fused, Unfused and Molded Case Switch Type Air Conditioning Disconnects

6

Contents

Description

| | <i>Page</i> |
|---|----------------|
| Features, Benefits and Functions | V1-T6-3 |
| Standards and Certifications | V1-T6-3 |
| Product Selection | V1-T6-4 |
| Cross-Reference | V1-T6-6 |
| Technical Data and Specifications | V1-T6-7 |
| Dimensions | V1-T6-7 |

Product Description

An air conditioning disconnect (ACD) is a disconnect located between a loadcenter (distribution panel) and air conditioner. Eaton's ACD product line provides an installer or repair personnel with a visible disconnecting means when performing maintenance. ACDs are also known as disconnects, pullouts or air conditioning switches.

Non-fused pullout and molded case switch devices provide personnel with a visible ON-OFF disconnecting means. While fused pullout units also perform this function, they also provide an additional level of protection for the air conditioner.

Fused and non-fused devices are of a pullout design, where the user physically removes or "pulls out" a tab to break the electrical connection. A molded case switch is similar to a light switch where the user "switches" the unit to the indicated ON-OFF position.

Fused and Non-Fused Pullouts

- ON/OFF control provided by a pullout handle
- Pullout handle can be conveniently stored in the compartment in the OFF position, helping to prevent the handle from being misplaced
- Protective shield cannot be removed until the pullout handle is removed, disconnecting the power

Molded Case Switch

- Rugged molded case construction in a disconnect switch that looks like a circuit breaker but operates like an ordinary household light switch
- Plug-in molded case switch (included) eliminates the need for pullout handles
- No need for replacement pullout handles due to loss or theft

Application Description

The most widely used application for ACDs is for residential and light commercial air conditioning units. An ACD is installed outdoors, in visible proximity to the air conditioner condensing unit. ACDs are also found in use with heat pumps, swimming pools, spas, whirlpools and pump houses, and meet 2008 NEC Article 422.31 (B) requirements for servicing electric water heaters. Metallic enclosures are galvanized steel and are installed in various locations. Non-metallic enclosures are a plastic (polycarbonate) enclosure commonly used in coastal or salt-water areas.

Features, Benefits and Functions

- Single-phase, two-wire, 240 Vac and three-phase, three-wire, 240 Vac
- NEMA 3R outdoor enclosures offered in metallic and non-metallic versions
- Easy-to-remove high-strength protective shield for easier wiring and mounting
- Easy-to-remove front cover (no screws or fasteners to remove)
- 1-inch knockouts on the bottom, back and side of unit
- Copper-rated line and load lugs that are easily accessible
- Ample wiring space for mounting with a stud gun (single keyhole, two- or three-point mounting)
- Fused devices are service entrance rated
- Horsepower rated (10 hp maximum at 240 Vac)
- Padlockable door provision for safety and reduction of tampering
- Metallic enclosures are bottom entry and exit only
- Non-metallic enclosures have knockouts and a hub provision for top access
- Non-metallic enclosures have a single unit door and protective shield for installer convenience
- Non-metallic enclosures are durable and provide excellent resistance to climate changes
- Factory-installed tamper-resistant/weather-resistant receptacles are available as an option on some products

Note: Fused non-metallic units require the addition of **GB4NM** ground bar to obtain a Service Entrance rating.

Standards and Certifications

- UL listed File No. E132354, E143893, E196365



Contact Eaton for details and part numbers for CSA approved units.

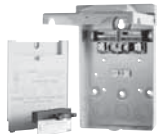
6.1

Air Conditioning Disconnects

Fused, Unfused and Molded Case Switch

Product Selection

DPU222R



Non-Fused Pullouts

| Main Ampere Rating | Maximum hp Rating | | Wire Size Range Cu/Al 60 °C or 75 °C | Catalog Number |
|---|-------------------|-------|---|-----------------|
| | 120 V | 240 V | | |
| Galvanized Steel | | | | |
| 60 | — | 10 | #14-3 | DPU222R ① |
| Non-Metallic/Polycarbonate Enclosure | | | | |
| 60 | — | 10 | #14-2 | ACD222URNM-A2 ① |

DPF222R



Fused Pullouts

| Main Ampere Rating | Maximum hp Rating | | Wire Size Range Cu/Al 60 °C or 75 °C | Catalog Number |
|-------------------------|-------------------|-------|---|----------------|
| | 120 V | 240 V | | |
| Galvanized Steel | | | | |
| 30 ② | 2 | 3 | #14-3 | DPF221R ① |
| 60 ② | 3 | 10 | #14-3 | DPF222R ① |
| Non-Metallic | | | | |
| 30 | 2 | 3 | #14-2 | ACD221RNM-A2 ① |
| 60 | 3 | 10 | #14-2 | ACD222RNM-A2 ① |

For Service Entrance applications, see footnotes below.

DPB222R



Molded Case Switch

| Main Ampere Rating | Maximum hp Rating | | Wire Size Range Cu/Al 60 °C or 75 °C | Catalog Number |
|---|-------------------|-------|---|----------------|
| | 120 V | 240 V | | |
| Galvanized Steel | | | | |
| 60 | — | 10 | #14-3 | DPB222R ③ |
| Non-Metallic/Polycarbonate Enclosure | | | | |
| 60 | — | 10 | #14-2 | B60NARNM-A2 ③ |

Notes

- ① For replacement pullout head, order part number **96-3258-4**.
- ② To obtain a Service Entrance Rating, the addition of a **DPFG** (ground bar kit) is required.
- ③ For replacement molded case switch, order part number **BR260NA**.

DPU222RGF20



ACD with 20 Ampere Ground Fault Receptacle ①

| Main Ampere Rating | Maximum hp Rating | | Wire Size Range Cu/Al 60 °C or 75 °C | Catalog Number |
|---------------------------|-------------------|-------|---|-------------------|
| | 120 V | 240 V | | |
| Non-Fused Pullouts | | | | |
| 60 | — | 10 | #14-3 | DPU222RGF20WTST ② |
| 60 | — | 10 | #14-3 | DPU222RGF20ST |
| Fused Pullouts | | | | |
| 30 | 2 | 3 | #14-3 | DPF221RGF20WTST ② |
| 30 | 2 | 3 | #14-3 | DPF221RGF20ST |
| 60 | 3 | 10 | #14-3 | DPF222RGF20WTST ② |
| 60 | 3 | 10 | #14-3 | DPF222RGF20ST |

DPU222RGF15



ACD with 15 Ampere Ground Fault Receptacle ①③

| Main Ampere Rating | Maximum hp Rating | | Wire Size Range Cu/Al 60 °C or 75 °C | Catalog Number |
|---------------------------|-------------------|-------|---|-------------------|
| | 120 V | 240 V | | |
| Non-Fused Pullouts | | | | |
| 60 | — | 10 | #14-3 | DPU222RGF15ST |
| 60 | — | 10 | #14-3 | DPU222RGF15WTST ② |
| Fused Pullouts | | | | |
| 30 | 2 | 3 | #14-3 | DPF221RGF15ST |
| 30 | 2 | 3 | #14-3 | DPF221RGF15WTST ② |
| 60 | 3 | 10 | #14-3 | DPF222RGF15ST |
| 60 | 3 | 10 | #14-3 | DPF222RGF15WTST ② |

Notes

- ① Factory-installed GFCI receptacle.
- ② Includes weather-resistant/tamper-resistant receptacles to meet 2008 NEC Article 406.8 (A) and 406.11 requirements.
- ③ NEC permits the maximum receptacle rating of a 15 A circuit to be 15 A.

6.1

Air Conditioning Disconnects

Fused, Unfused and Molded Case Switch

DPU362A



Three-Phase Non-Fused ACD

| Main Ampere Rating | Maximum hp Rating | | Wire Size Range Cu 75 °C | Catalog Number |
|--------------------|-------------------|-------|--------------------------|----------------|
| | 240 V | 480 V | | |
| 60 | 15 | 30 | #14-4 | DPU362RA |

6

Cross-Reference

Cross-Reference

| Description | Catalog Number | | | | | |
|--|-------------------|-----------|-----------|--------------------|-------------|----------|
| | Eaton | Square D® | GE® | Siemens® (Murray®) | Milbank | Midwest |
| Metallic/Galvanized Steel Enclosure | | | | | | |
| 30 A fused | DPF221R | — | TF30R | WF2030 | U3830 | U035F2 |
| 60 A fused | DPF222R | — | TF60R | WF2060 | U3860 | U065F1 |
| 60 A non-fused | DPU222R | — | TFN60R | — | U3800 | U065P010 |
| 60 A non-fused compact design | DPU222R | — | — | WNFC2060 | — | — |
| 60 A molded case switch | DPB222R | QO200TR | TNA60R1 | WNAS2060 | — | U065NA1 |
| 60 A non-fused with ground fault receptacle | DPU222RGF20ST | — | TFN60RGFR | WN2060GFCL | U3822-20GR | U065P010 |
| 30 A fused with ground fault receptacle | DPF221RGF20ST | — | — | WF2030GFCL | — | U035F010 |
| 60 A fused with ground fault receptacle | DPF222RGF20ST | — | — | WF2060GFCL | — | U065F010 |
| 60 A non-fused with 1/2-inch wire harness | DPU222R12W ① | — | — | — | — | — |
| 60 A non-fused with 3/4-inch wire harness | DPU222R34W ① | — | — | — | — | — |
| 60 A three-phase 600 V molded case switch | DPU362RA | — | — | — | — | U0653F |
| Non-Metallic/Polycarbonate Enclosure | | | | | | |
| 30 A fused | ACD221RNM-A2 | — | TPF30R | WF2030PL | — | P035F |
| 60 A fused | ACD222RNM-A2 | — | TPF60R | WF2060PL | — | P065F |
| 60 A non-fused | ACD222URNM-A2 | — | TPN60R1 | WN2060PL | — | P065P1 |
| 60 A molded case switch | B60NARNM-A2 | QO200TRNM | TPNA60R1 | WNAS2060PL | — | P065NA1 |
| 30 A fused with 15 A ground fault receptacle | DPF221RGF15WRTRST | — | — | — | — | — |
| 30 A fused with 20 A ground fault receptacle | DPF221RGF20WRTRST | — | — | — | — | — |
| 60 A fused with 15 A ground fault receptacle | DPF222RGF15WRTRST | — | — | — | — | — |
| 60 A fused with 20 A ground fault receptacle | DPF222RGF20WRTRST | — | — | — | — | — |
| 60 A non-fused with 15 A ground fault receptacle | DPU222RGF15WRTRST | — | — | — | — | — |
| 60 A non-fused with 20 A ground fault receptacle | DPU222RGF20WRTRST | — | — | — | U3822-20GWR | — |

Note

① Eaton Quick ProSM designated item.

Technical Data and Specifications

- 10,000 amperes rms symmetrical interrupting rating
- Horsepower rated
- Fusible and non-fusible pullout and molded case switch designs
- 30 and 60 amperes available in fusible
- 60 amperes available in non-fusible and molded case switch
- Class H fuse clips provided on fusible pullout design
- WTST (weather-resistant/tamper-resistant with ground fault self-test) receptacle available

Dimensions

Approximate Dimensions in Inches (mm)

Dimensions and Shipping Carton Information

| Catalog Number | Carton Quantity | Dimensions in Inches (mm) | | | Weight Lbs (kg) |
|---|-----------------|---------------------------|---------------|--------------|-----------------|
| | | Height | Width | Depth | |
| Metallic/Galvanized Steel Enclosure | | | | | |
| DPF221R | 10 | 8.70 (220.9) | 5.40 (137.2) | 3.15 (80.0) | 27 (12) |
| DPF222R | 10 | 8.70 (220.9) | 5.40 (137.2) | 3.15 (80.0) | 27 (12) |
| DPU222R | 10 | 8.70 (220.9) | 5.40 (137.2) | 3.15 (80.0) | 27 (12) |
| DPB222R | 10 | 8.60 (218.4) | 5.30 (134.6) | 3.74 (95.0) | 34 (15) |
| DPU222R12W ^① | 1 | 14.75 (374.6) | 12.50 (317.5) | 4.00 (101.6) | 6 (3) |
| DPU222R34W ^① | 1 | 14.75 (374.6) | 12.50 (317.5) | 4.00 (101.7) | 6 (3) |
| DPU222RGF20ST | 1 | 13.00 (330.2) | 7.50 (190.5) | 4.75 (120.7) | 8 (4) |
| DPF221RGF20ST | 1 | 13.00 (330.2) | 7.50 (190.5) | 4.75 (120.7) | 8 (4) |
| DPF222RGF20ST | 1 | 13.00 (330.2) | 7.50 (190.5) | 4.75 (120.7) | 8 (4) |
| DPU222RGF15ST | 1 | 13.00 (330.2) | 7.50 (190.5) | 4.75 (120.7) | 8 (4) |
| DPF221RGF15ST | 1 | 13.00 (330.2) | 7.50 (190.5) | 4.75 (120.7) | 8 (4) |
| DPF222RGF15ST | 1 | 13.00 (330.2) | 7.50 (190.5) | 4.75 (120.7) | 8 (4) |
| DPF221RGF15WTST | 1 | 13.00 (330.2) | 7.50 (190.5) | 4.75 (120.7) | 8 (4) |
| DPF221RGF20WTST | 1 | 13.00 (330.2) | 7.50 (190.5) | 4.75 (120.7) | 8 (4) |
| DPF222RGF15WTST | 1 | 13.00 (330.2) | 7.50 (190.5) | 4.75 (120.7) | 8 (4) |
| DPF222RGF20WTST | 1 | 13.00 (330.2) | 7.50 (190.5) | 4.75 (120.7) | 8 (4) |
| DPU222RGF15WTST | 1 | 13.00 (330.2) | 7.50 (190.5) | 4.75 (120.7) | 8 (4) |
| DPU222RGF20WTST | 1 | 13.00 (330.2) | 7.50 (190.5) | 4.75 (120.7) | 8 (4) |
| DPU362R | 1 | 8.60 (218.4) | 5.30 (134.6) | 3.74 (94.9) | 4 (2) |
| Non-Metallic/Polycarbonate Enclosure | | | | | |
| ACD221RNM-A2 | 10 | 8.63 (219.0) | 6.26 (159.0) | 4.33 (109.9) | 15 (7) |
| ACD222RNM-A2 | 10 | 8.63 (219.0) | 6.26 (159.0) | 4.33 (109.9) | 15 (7) |
| ACD222URNM-A2 | 10 | 8.63 (219.0) | 6.26 (159.0) | 4.33 (109.9) | 15 (7) |
| B60NARNM-A2 | 10 | 8.63 (219.0) | 6.26 (159.0) | 4.33 (109.9) | 18 (8) |

Note

^① Eaton Quick Pro designated item.

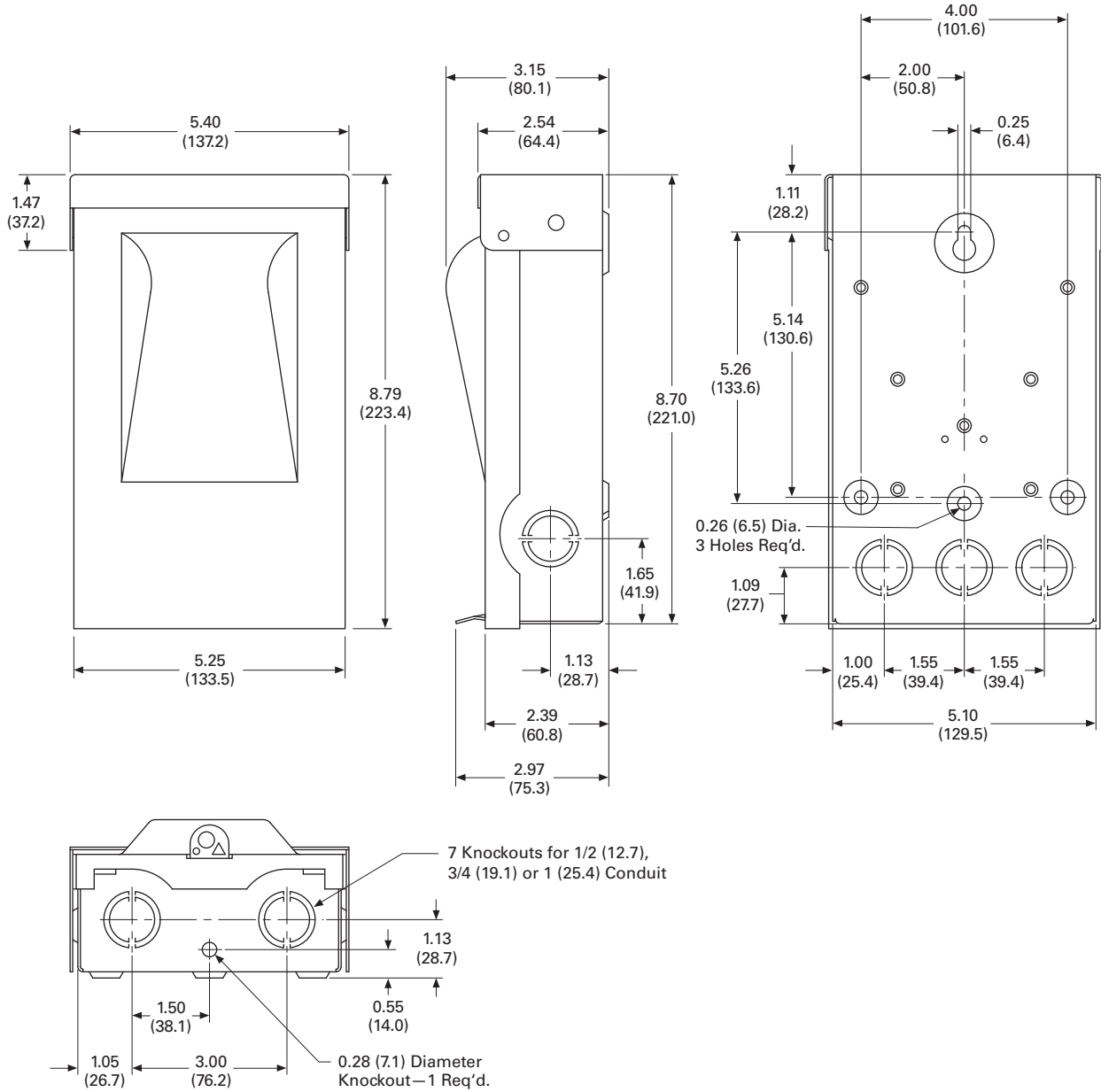
6.1 Air Conditioning Disconnects

Fused, Unfused and Molded Case Switch

Approximate Dimensions in Inches (mm)

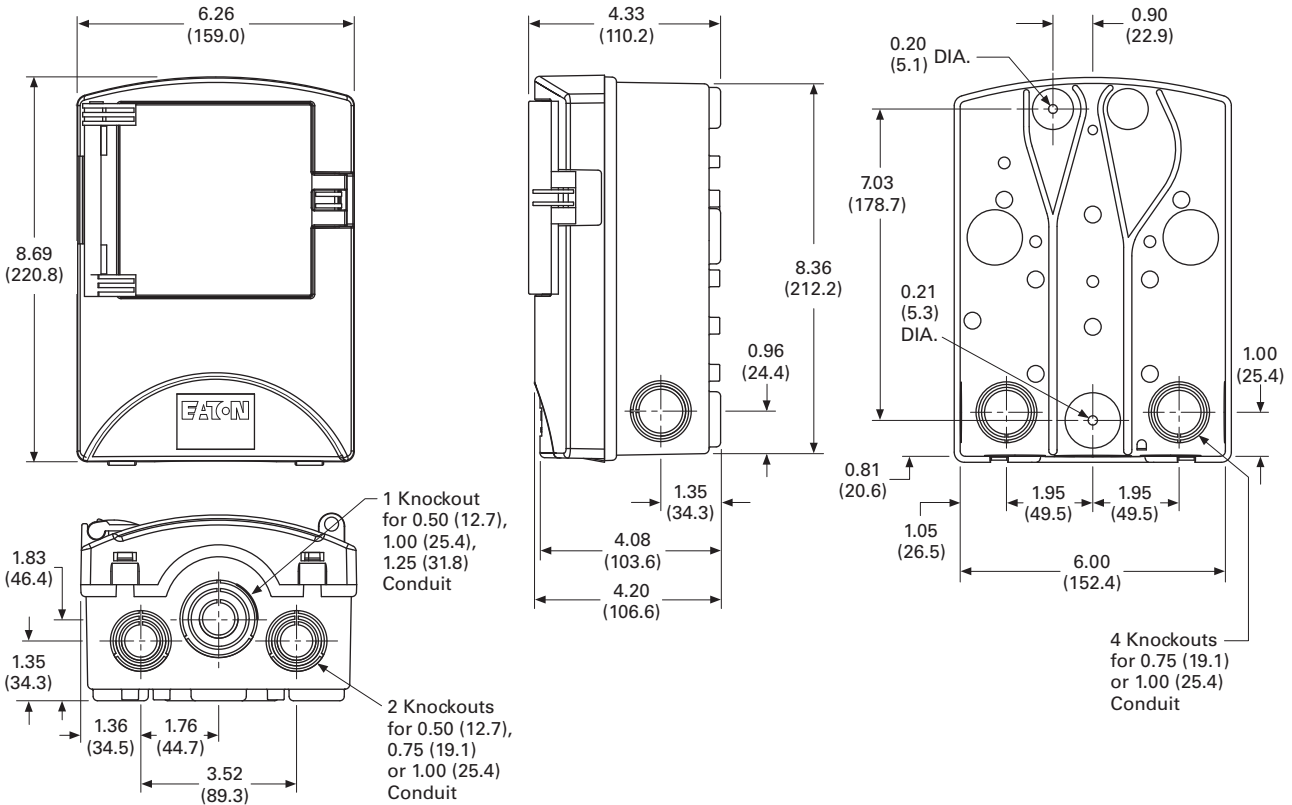
DPF221R, DPF222R, DPU222R, DPU222R12W and DPU222R34W

6

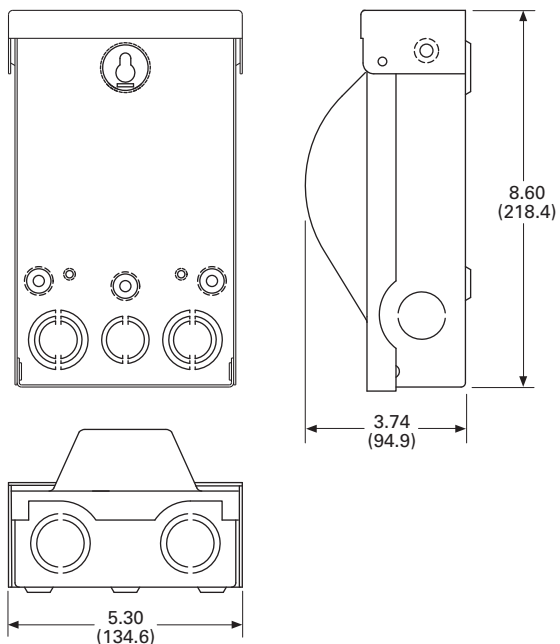


Approximate Dimensions in Inches (mm)

ACD221RNM-A2, ACD222RNM-A2, ACD222URNM-A2 and B60NARNM-A2



DPB222R and DPU362A



6.1

Air Conditioning Disconnects

Fused, Unfused and Molded Case Switch

Approximate Dimensions in Inches (mm)

DPU222RGF20, DPF221RGF20, DPF222RGF20, DPU222RGF15, DPF221RGF15, DPF222RGF15, DPF221RGF15WTST, DPF221RGF20WTST, DPF222RGF15WTST, DPF222RGF20WTST, DPU222RGF15WTST and DPU222RGF20WTST

6



Air Conditioning Disconnects

Air Conditioning Disconnects



6.1 Air Conditioning Disconnects

| | |
|---|---------|
| Product Description | V1-T6-2 |
| Application Description | V1-T6-2 |
| Features, Benefits and Functions | V1-T6-3 |
| Standards and Certifications | V1-T6-3 |
| Product Selection | V1-T6-4 |
| Cross-Reference | V1-T6-6 |
| Technical Data and Specifications | V1-T6-7 |
| Dimensions | V1-T6-7 |



Revision notes

Volume 1—Residential and Light Commercial, CA08100002E

Tab 6—Air Conditioning Disconnects

| Revision date | Section | Change page(s) | Description |
|---------------|---------|----------------|---|
| 02/19/2018 | All | All | Change to revision date to match print version, February 2018 |



6.1

Air Conditioning Disconnects

Fused, Unfused and Molded Case Switch

Air Conditioning Disconnects



Complete Line of Fused, Unfused and Molded Case Switch Type Air Conditioning Disconnects

6

Contents

Description

| | <i>Page</i> |
|---|----------------|
| Features, Benefits and Functions | V1-T6-3 |
| Standards and Certifications | V1-T6-3 |
| Product Selection | V1-T6-4 |
| Cross-Reference | V1-T6-6 |
| Technical Data and Specifications | V1-T6-7 |
| Dimensions | V1-T6-7 |

Product Description

An air conditioning disconnect (ACD) is a disconnect located between a loadcenter (distribution panel) and air conditioner. Eaton's ACD product line provides an installer or repair personnel with a visible disconnecting means when performing maintenance. ACDs are also known as disconnects, pullouts or air conditioning switches.

Non-fused pullout and molded case switch devices provide personnel with a visible ON-OFF disconnecting means. While fused pullout units also perform this function, they also provide an additional level of protection for the air conditioner.

Fused and non-fused devices are of a pullout design, where the user physically removes or "pulls out" a tab to break the electrical connection. A molded case switch is similar to a light switch where the user "switches" the unit to the indicated ON-OFF position.

Fused and Non-Fused Pullouts

- ON/OFF control provided by a pullout handle
- Pullout handle can be conveniently stored in the compartment in the OFF position, helping to prevent the handle from being misplaced
- Protective shield cannot be removed until the pullout handle is removed, disconnecting the power

Molded Case Switch

- Rugged molded case construction in a disconnect switch that looks like a circuit breaker but operates like an ordinary household light switch
- Plug-in molded case switch (included) eliminates the need for pullout handles
- No need for replacement pullout handles due to loss or theft

Application Description

The most widely used application for ACDs is for residential and light commercial air conditioning units. An ACD is installed outdoors, in visible proximity to the air conditioner condensing unit. ACDs are also found in use with heat pumps, swimming pools, spas, whirlpools and pump houses, and meet 2008 NEC Article 422.31 (B) requirements for servicing electric water heaters. Metallic enclosures are galvanized steel and are installed in various locations. Non-metallic enclosures are a plastic (polycarbonate) enclosure commonly used in coastal or salt-water areas.

Features, Benefits and Functions

- Single-phase, two-wire, 240 Vac and three-phase, three-wire, 240 Vac
- NEMA 3R outdoor enclosures offered in metallic and non-metallic versions
- Easy-to-remove high-strength protective shield for easier wiring and mounting
- Easy-to-remove front cover (no screws or fasteners to remove)
- 1-inch knockouts on the bottom, back and side of unit
- Copper-rated line and load lugs that are easily accessible
- Ample wiring space for mounting with a stud gun (single keyhole, two- or three-point mounting)
- Fused devices are service entrance rated
- Horsepower rated (10 hp maximum at 240 Vac)
- Padlockable door provision for safety and reduction of tampering
- Metallic enclosures are bottom entry and exit only
- Non-metallic enclosures have knockouts and a hub provision for top access
- Non-metallic enclosures have a single unit door and protective shield for installer convenience
- Non-metallic enclosures are durable and provide excellent resistance to climate changes
- Factory-installed tamper-resistant/weather-resistant receptacles are available as an option on some products

Note: Fused non-metallic units require the addition of **GB4NM** ground bar to obtain a Service Entrance rating.

Standards and Certifications

- UL listed File No. E132354, E143893, E196365



Contact Eaton for details and part numbers for CSA approved units.

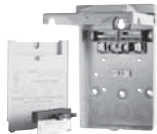
6.1

Air Conditioning Disconnects

Fused, Unfused and Molded Case Switch

Product Selection

DPU222R



Non-Fused Pullouts

| Main Ampere Rating | Maximum hp Rating | | Wire Size Range Cu/Al 60 °C or 75 °C | Catalog Number |
|---|-------------------|-------|---|----------------------------|
| | 120 V | 240 V | | |
| Galvanized Steel | | | | |
| 60 | — | 10 | #14-3 | DPU222R ^① |
| Non-Metallic/Polycarbonate Enclosure | | | | |
| 60 | — | 10 | #14-2 | ACD222URNM-A2 ^① |

DPF222R



Fused Pullouts

| Main Ampere Rating | Maximum hp Rating | | Wire Size Range Cu/Al 60 °C or 75 °C | Catalog Number |
|-------------------------|-------------------|-------|---|---------------------------|
| | 120 V | 240 V | | |
| Galvanized Steel | | | | |
| 30 ^② | 2 | 3 | #14-3 | DPF221R ^① |
| 60 ^② | 3 | 10 | #14-3 | DPF222R ^① |
| Non-Metallic | | | | |
| 30 | 2 | 3 | #14-2 | ACD221RNM-A2 ^① |
| 60 | 3 | 10 | #14-2 | ACD222RNM-A2 ^① |

For Service Entrance applications, see footnotes below.

DPB222R



Molded Case Switch

| Main Ampere Rating | Maximum hp Rating | | Wire Size Range Cu/Al 60 °C or 75 °C | Catalog Number |
|---|-------------------|-------|---|--------------------------|
| | 120 V | 240 V | | |
| Galvanized Steel | | | | |
| 60 | — | 10 | #14-3 | DPB222R ^③ |
| Non-Metallic/Polycarbonate Enclosure | | | | |
| 60 | — | 10 | #14-2 | B60NARNM-A2 ^③ |

Notes

- ^① For replacement pullout head, order part number **96-3258-4**.
- ^② To obtain a Service Entrance Rating, the addition of a **DPFG** (ground bar kit) is required.
- ^③ For replacement molded case switch, order part number **BR260NA**.

DPU222RGF20



ACD with 20 Ampere Ground Fault Receptacle ①

| Main Ampere Rating | Maximum hp Rating | | Wire Size Range Cu/Al 60 °C or 75 °C | Catalog Number |
|---------------------------|-------------------|-------|---|--------------------------|
| | 120 V | 240 V | | |
| Non-Fused Pullouts | | | | |
| 60 | — | 10 | #14-3 | DPU222RGF20WTST ② |
| 60 | — | 10 | #14-3 | DPU222RGF20ST |
| Fused Pullouts | | | | |
| 30 | 2 | 3 | #14-3 | DPF221RGF20WTST ② |
| 30 | 2 | 3 | #14-3 | DPF221RGF20ST |
| 60 | 3 | 10 | #14-3 | DPF222RGF20WTST ② |
| 60 | 3 | 10 | #14-3 | DPF222RGF20ST |

DPU222RGF15



ACD with 15 Ampere Ground Fault Receptacle ①③

| Main Ampere Rating | Maximum hp Rating | | Wire Size Range Cu/Al 60 °C or 75 °C | Catalog Number |
|---------------------------|-------------------|-------|---|--------------------------|
| | 120 V | 240 V | | |
| Non-Fused Pullouts | | | | |
| 60 | — | 10 | #14-3 | DPU222RGF15ST |
| 60 | — | 10 | #14-3 | DPU222RGF15WTST ② |
| Fused Pullouts | | | | |
| 30 | 2 | 3 | #14-3 | DPF221RGF15ST |
| 30 | 2 | 3 | #14-3 | DPF221RGF15WTST ② |
| 60 | 3 | 10 | #14-3 | DPF222RGF15ST |
| 60 | 3 | 10 | #14-3 | DPF222RGF15WTST ② |

Notes

- ① Factory-installed GFCI receptacle.
- ② Includes weather-resistant/tamper-resistant receptacles to meet 2008 NEC Article 406.8 (A) and 406.11 requirements.
- ③ NEC permits the maximum receptacle rating of a 15 A circuit to be 15 A.

6.1

Air Conditioning Disconnects

Fused, Unfused and Molded Case Switch

DPU362A



Three-Phase Non-Fused ACD

| Main Ampere Rating | Maximum hp Rating | | Wire Size Range Cu 75 °C | Catalog Number |
|--------------------|-------------------|-------|--------------------------|----------------|
| | 240 V | 480 V | | |
| 60 | 15 | 30 | #14-4 | DPU362RA |

6

Cross-Reference

Cross-Reference

| Description | Catalog Number | | | | | |
|--|-------------------|-----------|-----------|--------------------|-------------|----------|
| | Eaton | Square D® | GE® | Siemens® (Murray®) | Milbank | Midwest |
| Metallic/Galvanized Steel Enclosure | | | | | | |
| 30 A fused | DPF221R | — | TF30R | WF2030 | U3830 | U035F2 |
| 60 A fused | DPF222R | — | TF60R | WF2060 | U3860 | U065F1 |
| 60 A non-fused | DPU222R | — | TFN60R | — | U3800 | U065P010 |
| 60 A non-fused compact design | DPU222R | — | — | WNFC2060 | — | — |
| 60 A molded case switch | DPB222R | QO200TR | TNA60R1 | WNAS2060 | — | U065NA1 |
| 60 A non-fused with ground fault receptacle | DPU222RGF20ST | — | TFN60RGFR | WN2060GFCL | U3822-20GR | U065P010 |
| 30 A fused with ground fault receptacle | DPF221RGF20ST | — | — | WF2030GFCL | — | U035F010 |
| 60 A fused with ground fault receptacle | DPF222RGF20ST | — | — | WF2060GFCL | — | U065F010 |
| 60 A non-fused with 1/2-inch wire harness | DPU222R12W ① | — | — | — | — | — |
| 60 A non-fused with 3/4-inch wire harness | DPU222R34W ① | — | — | — | — | — |
| 60 A three-phase 600 V molded case switch | DPU362RA | — | — | — | — | U0653F |
| Non-Metallic/Polycarbonate Enclosure | | | | | | |
| 30 A fused | ACD221RNM-A2 | — | TPF30R | WF2030PL | — | P035F |
| 60 A fused | ACD222RNM-A2 | — | TPF60R | WF2060PL | — | P065F |
| 60 A non-fused | ACD222URNM-A2 | — | TPN60R1 | WN2060PL | — | P065P1 |
| 60 A molded case switch | B60NARNM-A2 | QO200TRNM | TPNA60R1 | WNAS2060PL | — | P065NA1 |
| 30 A fused with 15 A ground fault receptacle | DPF221RGF15WRTRST | — | — | — | — | — |
| 30 A fused with 20 A ground fault receptacle | DPF221RGF20WRTRST | — | — | — | — | — |
| 60 A fused with 15 A ground fault receptacle | DPF222RGF15WRTRST | — | — | — | — | — |
| 60 A fused with 20 A ground fault receptacle | DPF222RGF20WRTRST | — | — | — | — | — |
| 60 A non-fused with 15 A ground fault receptacle | DPU222RGF15WRTRST | — | — | — | — | — |
| 60 A non-fused with 20 A ground fault receptacle | DPU222RGF20WRTRST | — | — | — | U3822-20GWR | — |

Note

① Eaton Quick ProSM designated item.

Technical Data and Specifications

- 10,000 amperes rms symmetrical interrupting rating
- Horsepower rated
- Fusible and non-fusible pullout and molded case switch designs
- 30 and 60 amperes available in fusible
- 60 amperes available in non-fusible and molded case switch
- Class H fuse clips provided on fusible pullout design
- WTST (weather-resistant/tamper-resistant with ground fault self-test) receptacle available

Dimensions

Approximate Dimensions in Inches (mm)

Dimensions and Shipping Carton Information

| Catalog Number | Carton Quantity | Dimensions in Inches (mm) | | | Weight Lbs (kg) |
|---|-----------------|---------------------------|---------------|--------------|-----------------|
| | | Height | Width | Depth | |
| Metallic/Galvanized Steel Enclosure | | | | | |
| DPF221R | 10 | 8.70 (220.9) | 5.40 (137.2) | 3.15 (80.0) | 27 (12) |
| DPF222R | 10 | 8.70 (220.9) | 5.40 (137.2) | 3.15 (80.0) | 27 (12) |
| DPU222R | 10 | 8.70 (220.9) | 5.40 (137.2) | 3.15 (80.0) | 27 (12) |
| DPB222R | 10 | 8.60 (218.4) | 5.30 (134.6) | 3.74 (95.0) | 34 (15) |
| DPU222R12W [Ⓢ] | 1 | 14.75 (374.6) | 12.50 (317.5) | 4.00 (101.6) | 6 (3) |
| DPU222R34W [Ⓢ] | 1 | 14.75 (374.6) | 12.50 (317.5) | 4.00 (101.7) | 6 (3) |
| DPU222RGF20ST | 1 | 13.00 (330.2) | 7.50 (190.5) | 4.75 (120.7) | 8 (4) |
| DPF221RGF20ST | 1 | 13.00 (330.2) | 7.50 (190.5) | 4.75 (120.7) | 8 (4) |
| DPF222RGF20ST | 1 | 13.00 (330.2) | 7.50 (190.5) | 4.75 (120.7) | 8 (4) |
| DPU222RGF15ST | 1 | 13.00 (330.2) | 7.50 (190.5) | 4.75 (120.7) | 8 (4) |
| DPF221RGF15ST | 1 | 13.00 (330.2) | 7.50 (190.5) | 4.75 (120.7) | 8 (4) |
| DPF222RGF15ST | 1 | 13.00 (330.2) | 7.50 (190.5) | 4.75 (120.7) | 8 (4) |
| DPF221RGF15WTST | 1 | 13.00 (330.2) | 7.50 (190.5) | 4.75 (120.7) | 8 (4) |
| DPF221RGF20WTST | 1 | 13.00 (330.2) | 7.50 (190.5) | 4.75 (120.7) | 8 (4) |
| DPF222RGF15WTST | 1 | 13.00 (330.2) | 7.50 (190.5) | 4.75 (120.7) | 8 (4) |
| DPF222RGF20WTST | 1 | 13.00 (330.2) | 7.50 (190.5) | 4.75 (120.7) | 8 (4) |
| DPU222RGF15WTST | 1 | 13.00 (330.2) | 7.50 (190.5) | 4.75 (120.7) | 8 (4) |
| DPU222RGF20WTST | 1 | 13.00 (330.2) | 7.50 (190.5) | 4.75 (120.7) | 8 (4) |
| DPU362R | 1 | 8.60 (218.4) | 5.30 (134.6) | 3.74 (94.9) | 4 (2) |
| Non-Metallic/Polycarbonate Enclosure | | | | | |
| ACD221RNM-A2 | 10 | 8.63 (219.0) | 6.26 (159.0) | 4.33 (109.9) | 15 (7) |
| ACD222RNM-A2 | 10 | 8.63 (219.0) | 6.26 (159.0) | 4.33 (109.9) | 15 (7) |
| ACD222URNM-A2 | 10 | 8.63 (219.0) | 6.26 (159.0) | 4.33 (109.9) | 15 (7) |
| B60NARNM-A2 | 10 | 8.63 (219.0) | 6.26 (159.0) | 4.33 (109.9) | 18 (8) |

Note

[Ⓢ] Eaton Quick Pro designated item.

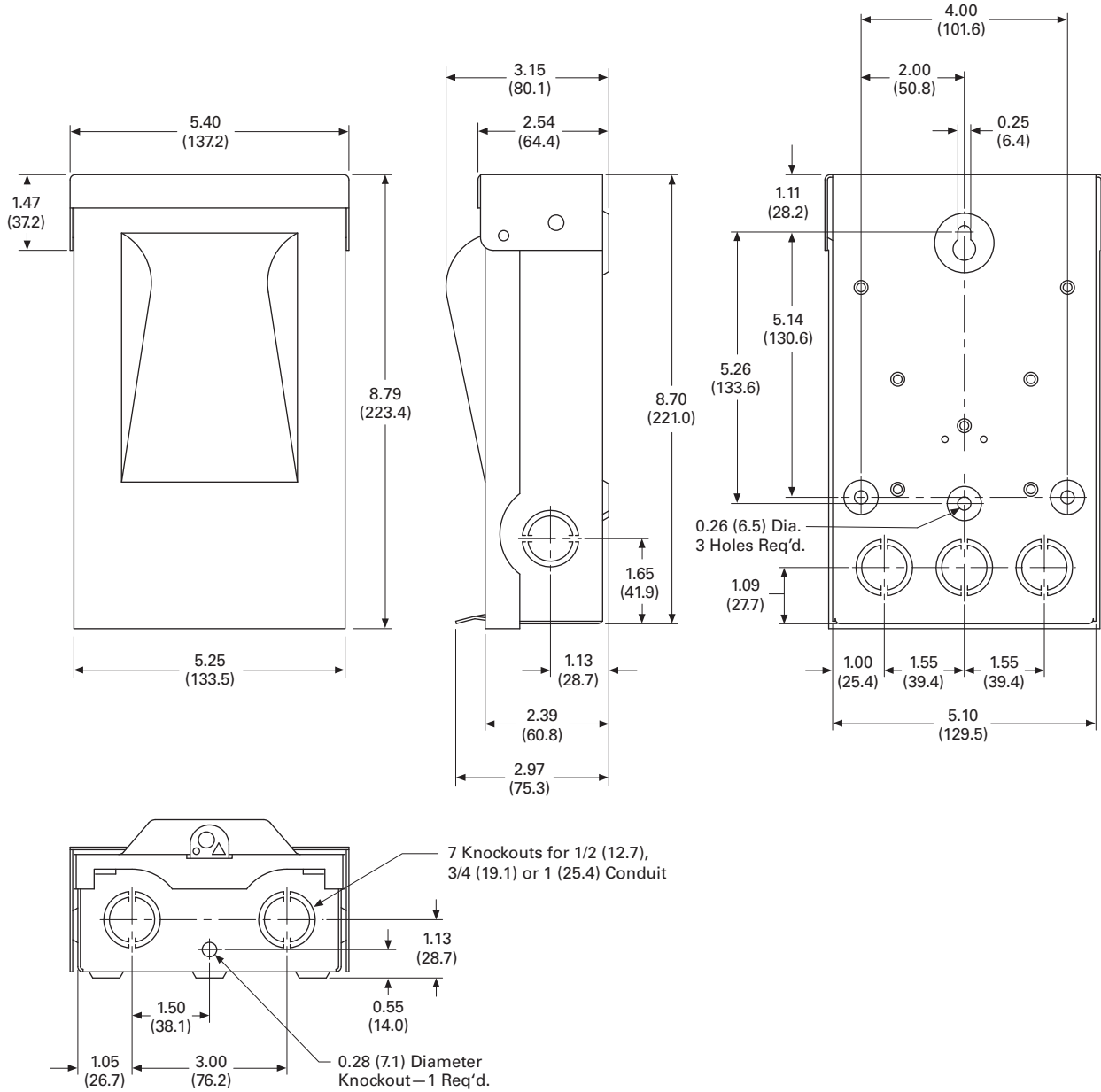
6.1 Air Conditioning Disconnects

Fused, Unfused and Molded Case Switch

Approximate Dimensions in Inches (mm)

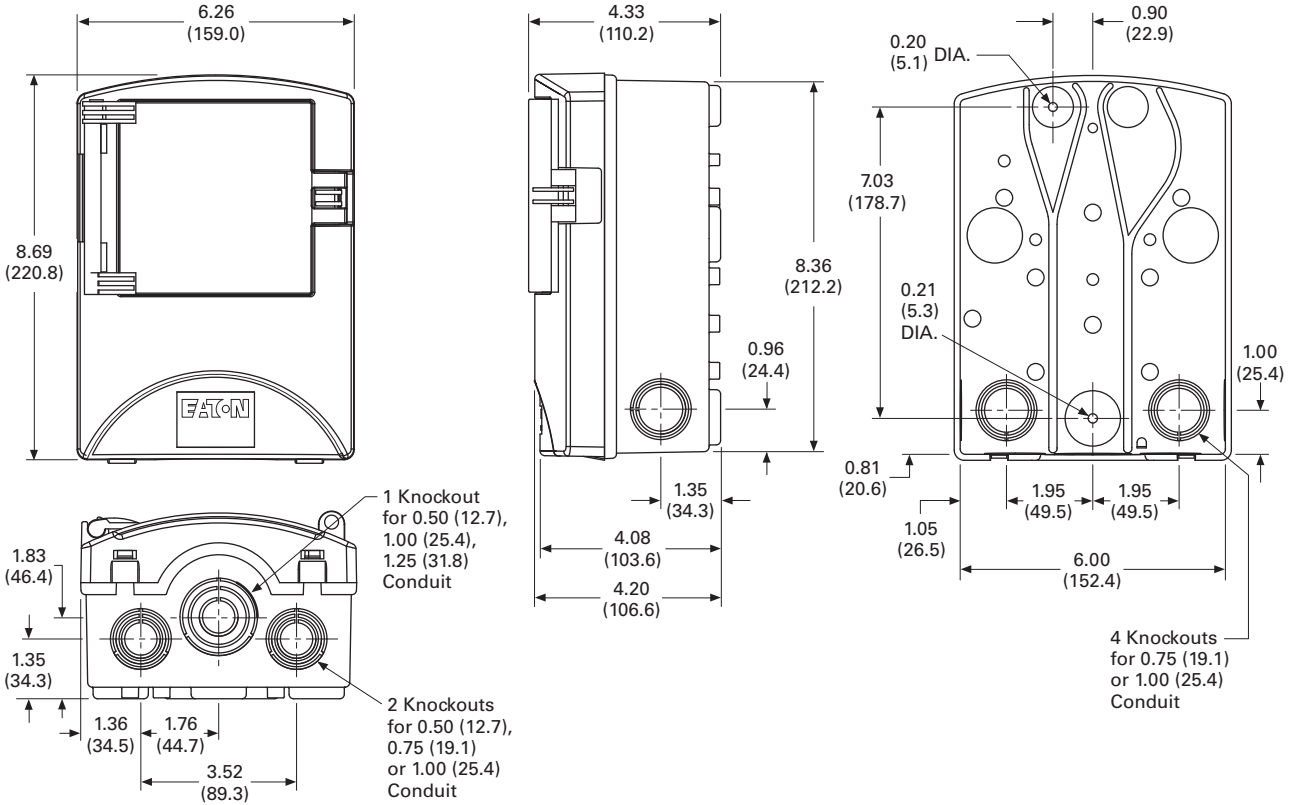
DPF221R, DPF222R, DPU222R, DPU222R12W and DPU222R34W

6

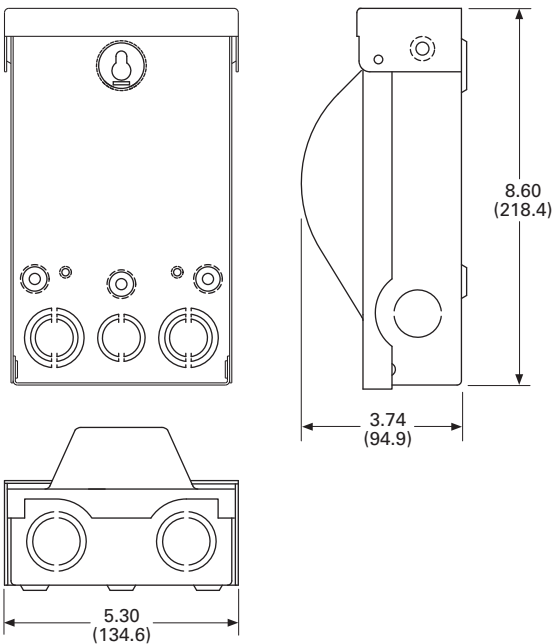


Approximate Dimensions in Inches (mm)

ACD221RNM-A2, ACD222RNM-A2, ACD222URNM-A2 and B60NARNM-A2



DPB222R and DPU362A



6.1

Air Conditioning Disconnects

Fused, Unfused and Molded Case Switch

Approximate Dimensions in Inches (mm)

DPU222RGF20, DPF221RGF20, DPF222RGF20, DPU222RGF15, DPF221RGF15, DPF222RGF15, DPF221RGF15WTST, DPF221RGF20WTST, DPF222RGF15WTST, DPF222RGF20WTST, DPU222RGF15WTST and DPU222RGF20WTST

6

