



## Commercial ruggedness in traditional side wire switches.

CS15AC1, CS15AC3, CS20AC1, CS20AC3

Like our other commercial switches, these reliable performers feature high-strength polycarbonate toggles, single-piece brass alloy contact arms, nylon covers and heavy-gauge steel straps to withstand hard use and ensure a long service life. Fast make and positive break action minimizes arcing.

## Features & Benefits

**One-piece plated steel strap** for corrosion resistance

**Heavy-duty bumpers** for quiet, smooth operation

**Oversized silver-alloy contacts** for long life and better heat dissipation

**Heavy-duty, brass alloy, one-piece contact arm** virtually eliminates contact bounce

**Shallow design** for easier installation



CS20AC1LA

**Glass-reinforced nylon back body** for durability and strength

**Locking support** provides resistance to face and back body separation

**Side wire** with #14 – #10 AWG copper or copper-clad wire

**Cam control and spring actuator** for positive “makes and breaks” with a minimum of arcing

## 3rd Party Compliance



UL Listed, File Number E140597, Standard UL20, General Use Snap Switches. Federal Specification WS896.  
cULus Listed, File Number LR17446, Standard CSA-C22.2 No. 111, General Use Snap Switches. Conforms to NEMA WD-1 and WD-6.

## Technical Information

### Performance

#### Electrical

Dielectric Withstand Voltage	1500V Minimum
Maximum Working Voltage	277VAC
Overload	Minimum 4.8 times rated current for 100 cycles
Temperature Rise	30°C maximum at rated current
Maximum Continuous Current	277VAC
Endurance	50,000 cycles minimum, resistive, inductive, tungsten filament lamp load (Fed Spec)

#### Mechanical

Terminal Accommodations #14 AWG – #10 AWG

#### Environmental

Flammability UL94 V2

Operating Temperature Maximum continuous +115°C, minimum -40°C

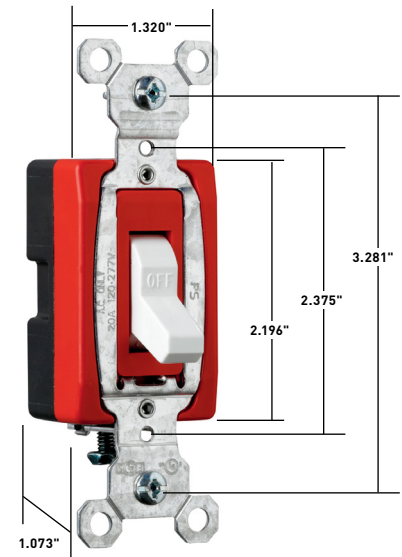
### Materials

Back Body	Glass-Reinforced Nylon
Front Body	Nylon
Toggle	Thermoplastic Polycarbonate
Terminals	Brass
Terminal Screws	Tri-Drive Brass-Plated Steel
Strap	Plated Steel
Contacts	Silver Cadmium Oxide
Spring Arm	Brass
Bumper	Rubber
Spring	Zinc-Plated Steel
Ground Terminal	Brass
Ground Screw	Tri-Drive Zinc-Plated Steel

### HP Conversion Table – Switches

<b>15 Amp</b>	1/2 Horsepower at 120VAC; 2 Horsepower at 240VAC
<b>20 Amp</b>	1 Horsepower at 120VAC; 2 Horsepower at 240VAC

15 Amp Cover      Blue  
20 Amp Cover      Red



Dimensions for  
15 & 20 Amp

### Warranty

1 Year

---

## Ordering Information

### Commercial Grade Switches

Catalog Number		Rating			Color
Single Pole	Three-Way	A	VAC		
CS15AC1I	CS15AC3I	15	120/277	Ivory	
CS15AC1W	CS15AC3W	15	120/277	White	
CS15AC1	CS15AC3	15	120/277	Brown	
CS15AC1GRY	CS15AC3GRY	15	120/277	Gray	
CS15AC1BK	CS15AC3BK	15	120/277	Black	
CS15AC1LA	CS15AC3LA	15	120/277	Light Almond	
CS20AC1I	CS20AC3I	20	120/277	Ivory	
CS20AC1W	CS20AC3W	20	120/277	White	
CS20AC1	CS20AC3	20	120/277	Brown	
CS20AC1GRY	CS20AC3GRY	20	120/277	Gray	
CS20AC1LA	CS20AC3LA	20	120/277	Light Almond	

---

## Vertical Markets


- Retail
- Office
- Hospitality/Lodging
- Multiple Dwelling

---

## Also available

- Plug Load Control Devices
- Hospital Grade Devices
- PlugTail® Devices
- SPD & Isolated Ground Devices
- Ground Continuity Monitoring Devices (GCM)
- Straight Blade Plugs & Connectors
- Turnlok® Locking Devices
- IEC 309 Industrial Products
- Flexcor® Wire Mesh Grip
- USB Charging Devices

---

 The paper used to print this document is an environmentally responsible paper with 10% post consumer waste, with FSC and SFI Chain of Custody certifications, Lacey Act compliant. 100% of the electricity used to manufacture Flo sheets is generated with Green-e certified renewable energy.

All brand and product names referenced in this document are registered trademarks or trademarks of their respective holders.



**Legrand, North America**  
60 Woodlawn Street  
West Hartford, CT 06110  
1.877.BY.LEGRAND (295.3472)  
[www.legrand.us](http://www.legrand.us)  
905.738.9195  
[www.legrand.ca](http://www.legrand.ca)





## Commercial ruggedness in traditional side wire switches.

CS15AC1, CS15AC3, CS20AC1, CS20AC3

Like our other commercial switches, these reliable performers feature high-strength polycarbonate toggles, single-piece brass alloy contact arms, nylon covers and heavy-gauge steel straps to withstand hard use and ensure a long service life. Fast make and positive break action minimizes arcing.

### Features & Benefits

**One-piece plated steel strap** for corrosion resistance

**Heavy-duty bumpers** for quiet, smooth operation

**Oversized silver-alloy contacts** for long life and better heat dissipation

**Heavy-duty, brass alloy, one-piece contact arm** virtually eliminates contact bounce

**Shallow design** for easier installation



CS20AC1LA

**Glass-reinforced nylon back body** for durability and strength

**Locking support** provides resistance to face and back body separation

**Side wire** with #14 – #10 AWG copper or copper-clad wire

**Cam control and spring actuator** for positive “makes and breaks” with a minimum of arcing

### 3rd Party Compliance



UL Listed, File Number E140597, Standard UL20, General Use Snap Switches. Federal Specification WS896.  
cULus Listed, File Number LR17446, Standard CSA-C22.2 No. 111, General Use Snap Switches. Conforms to NEMA WD-1 and WD-6.

## Technical Information

### Performance

#### Electrical

Dielectric Withstand Voltage	1500V Minimum
Maximum Working Voltage	277VAC
Overload	Minimum 4.8 times rated current for 100 cycles
Temperature Rise	30°C maximum at rated current
Maximum Continuous Current	277VAC
Endurance	50,000 cycles minimum, resistive, inductive, tungsten filament lamp load (Fed Spec)

#### Mechanical

Terminal Accommodations #14 AWG – #10 AWG

#### Environmental

Flammability UL94 V2

Operating Temperature Maximum continuous +115°C, minimum -40°C

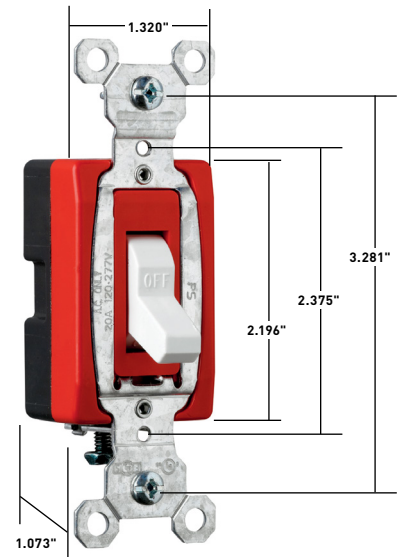
### Materials

Back Body	Glass-Reinforced Nylon
Front Body	Nylon
Toggle	Thermoplastic Polycarbonate
Terminals	Brass
Terminal Screws	Tri-Drive Brass-Plated Steel
Strap	Plated Steel
Contacts	Silver Cadmium Oxide
Spring Arm	Brass
Bumper	Rubber
Spring	Zinc-Plated Steel
Ground Terminal	Brass
Ground Screw	Tri-Drive Zinc-Plated Steel

### HP Conversion Table – Switches

<b>15 Amp</b>	1/2 Horsepower at 120VAC; 2 Horsepower at 240VAC
<b>20 Amp</b>	1 Horsepower at 120VAC; 2 Horsepower at 240VAC

15 Amp Cover      Blue  
20 Amp Cover      Red



Dimensions for  
15 & 20 Amp

### Warranty

1 Year

---

## Ordering Information

### Commercial Grade Switches

Catalog Number		Rating			Color
Single Pole	Three-Way	A	VAC		
CS15AC1I	CS15AC3I	15	120/277	Ivory	
CS15AC1W	CS15AC3W	15	120/277	White	
CS15AC1	CS15AC3	15	120/277	Brown	
CS15AC1GRY	CS15AC3GRY	15	120/277	Gray	
CS15AC1BK	CS15AC3BK	15	120/277	Black	
CS15AC1LA	CS15AC3LA	15	120/277	Light Almond	
CS20AC1I	CS20AC3I	20	120/277	Ivory	
CS20AC1W	CS20AC3W	20	120/277	White	
CS20AC1	CS20AC3	20	120/277	Brown	
CS20AC1GRY	CS20AC3GRY	20	120/277	Gray	
CS20AC1LA	CS20AC3LA	20	120/277	Light Almond	

---

## Vertical Markets


- Retail
- Office
- Hospitality/Lodging
- Multiple Dwelling

---

## Also available

- Plug Load Control Devices
- Hospital Grade Devices
- PlugTail® Devices
- SPD & Isolated Ground Devices
- Ground Continuity Monitoring Devices (GCM)
- Straight Blade Plugs & Connectors
- Turnlok® Locking Devices
- IEC 309 Industrial Products
- Flexcor® Wire Mesh Grip
- USB Charging Devices

---

 The paper used to print this document is an environmentally responsible paper with 10% post consumer waste, with FSC and SFI Chain of Custody certifications, Lacey Act compliant. 100% of the electricity used to manufacture Flo sheets is generated with Green-e certified renewable energy.

All brand and product names referenced in this document are registered trademarks or trademarks of their respective holders.



**Legrand, North America**  
60 Woodlawn Street  
West Hartford, CT 06110  
1.877.BY.LEGRAND (295.3472)  
[www.legrand.us](http://www.legrand.us)  
905.738.9195  
[www.legrand.ca](http://www.legrand.ca)

