

**Hazardous area LED lighting**  
Champ-Pak® CPMV LED wall pack

**CROUSE-HINDS**  
SERIES

# Champ-Pak CPMV

## LED wall pack for hazardous areas



**Safe. Reliable. Efficient.**  
3,000, 5,000 & 7,000 lumen models

**EATON**

*Powering Business Worldwide*



## Champ-Pak CPMV wall packs

# Safe. Reliable. Efficient.

Featuring a broad range of LED luminaires for harsh, hazardous and industrial environments, Eaton's Crouse-Hinds delivers lighting solutions that perform reliably in even the worst operating conditions. **This reduces energy, maintenance, and manpower costs.**

### Why LED?

#### **Energy efficiency**

LED average energy consumption is significantly less than traditional fluorescent and HID fixtures

#### **Start/restart time**

Instant illumination vs. 10 minute restrike time for HID

#### **Light quality**

Higher color rendering compared to fluorescent and HID

#### **Environmental benefits**

Mercury-free LED eliminates disposal costs and lower energy consumption for a smaller carbon footprint

### Why Crouse-Hinds?

#### **Industry-best reliability**

Built to withstand a wide array of applications

#### **Thermal management**

Effective heat sinking ensures longer life

#### **Quality of light**

Custom optics designed to maximize light distribution and intensity

#### **Globally certified**

Designed to global specifications for IEC and NEC applications

#### **Serviceable drivers**

Easy access to drivers for service or replacement



# Design features

## Built to last:

- Type 4X rated
- Impact-resistant lens sealed from the outside environment provides ingress protection against water and dust
- 60,000+ hours of operation at 55°C
- 5 year fixture warranty†

† Refer to the authorized distributor price book for Crouse-Hinds standard Terms and Conditions.

## Simple installation and replacement:

- Contractor-friendly design is ideal for both retrofit and new construction
- Available with lever lock connectors



## High efficiency:

- Up to 116 lumens per watt
- Optional photocell

## Multiple lens options:

- Clear glass lens standard
- Optional lenses include:
  - Diffused glass
  - Clear polycarbonate
  - Diffused polycarbonate

## Additional options:

- Yoke and hub mounts
- Photocell



## Rugged design

- Engineered to perform in ambient temperatures from -40°C to +55°C
- Die cast aluminum LED housing provides efficient thermal path to heat sink assembly
- Vertical fin design facilitates air flow and dust shedding



## Why choose Champ-Pak LED wall packs?

**Reliability.** CPMV LED wall packs are engineered to deliver high lumen output and maintenance-free long life in the toughest conditions.

### CPMV7L vs. 150 watt HID



**70%**  
ENERGY EFFICIENCY



**65%**  
TOTAL COST OF OWNERSHIP



**100%**  
MAINTENANCE REDUCTION

Assumptions: Calculations based on overall life of the LED system. Energy cost of \$.09 per kilowatt; 24 hour per day operation; labor rate of \$75 each for 2 workers; average time for fixture maintenance of 1 hour.

# Champ-Pak<sup>®</sup> CPMV LED wall pack



## Rugged wall pack solutions.

Eaton's Crouse-Hinds Champ-Pak CPMV LED wall packs are engineered to provide maintenance-free illumination, long life and high performance in Class I, Division 2 areas.

The Champ CPMV LED is available from 3,000 to 7,000 lumens and is designed for extreme conditions and hazardous applications.

### Available models:

Model number	Nominal lumens*	Watts	Efficacy	Equivalent MH luminaire
<b>CPMV3L</b>	3,400	30.6	111 Lm/W	70W
<b>CPMV5L</b>	5,200	44.8	116 Lm/W	100W
<b>CPMV7L</b>	6,800	58.9	115 Lm/W	150W-175W

\*Nominal lumens based on 5000K CCT with clear glass lens. Wattage measured at 120 VAC.

### Primary applications:

- Oil and gas refineries, drilling rigs, petrochemical facilities, food and beverage facilities, platforms, loading docks, tunnels, outdoor wall mounted general area lighting, and where flammable vapors, gases, ignitable dusts, fibers or flyings are present
- Locations requiring continuous and consistent light levels in extreme ambient temperatures
- Where extremely corrosive, wet, dusty, hot and/or cold conditions exist
- NEMA 4X, marine, wet locations and hose-down environments
- Classified and hazardous locations

### Electrical ratings:

Model number	120V		277V		347V		480V	
	Input power	Input amps	Input power	Input amps	Input power	Input amps	Input power	Input amps
<b>CPMV3L</b>	30.6	0.26	30.6	0.11	29.9	0.09	30.3	0.07
<b>CPMV5L</b>	44.8	0.37	43.9	0.16	43.3	0.13	43.7	0.09
<b>CPMV7L</b>	58.9	0.50	57.8	0.23	56.0	0.16	56.2	0.12

#### All models

<b>Voltage range, VAC</b>	120-277V at 50/60 Hz, 347-480V at 60 Hz
<b>Voltage range, VDC</b>	125/250VDC
<b>Power factor</b>	≥0.90
<b>Surge</b>	6kV standard
<b>THD</b>	≤ 20%
<b>Dimming</b>	0-10V

### Certifications & compliances:

- DesignLights Consortium<sup>®</sup> Qualified (*pending*)
- NEC and CEC
  - UL Standards: UL1598, UL1598A, UL 844, UL8750
  - CSA Standard: C22.2 No. 137
- Class I, Division 2, Groups A, B, C, D,
- Class II, Division 1, Groups E, F, G
- Class III & Simultaneous Presence
- Marine and Wet Locations, NEMA 4X and IP66



### Temperature codes:

Classified area	40°C	55°C
Class I, Division 2 Groups A, B, C, D	<b>T5</b>	<b>T4A</b>
Class II, Division 1 Groups E, F, G	<b>T4A</b>	<b>T4A</b>
Simultaneous presence	<b>T3</b>	<b>T3</b>



Champ-Pak CPMV wall packs are designed, tested and certified for extreme environments

# Ordering information

## Part number example

### CPMV3LWY-UNV1-S891 PC1

Champ-Pack CPMV LED wall pack, NEC/CEC rated, 3,400 lumens, 3000K warm white, wide optic, yoke mount, 120-277 VAC, diffused glass window, 120V photocell

## CPMV 3L W Y - UNV1 - S891 PC1

### Light source/intensity

<b>3L</b>	3,400 nominal lumens
<b>5L</b>	5,200 nominal lumens
<b>7L</b>	6,800 nominal lumens

### Color temperature

<b>BLANK</b>	Cool (5000K)
<b>N*</b>	Neutral (4000K)
<b>W</b>	Warm (3000K)

\*Consult factory for availability.

### Optics

<b>BLANK</b>	Wide
<b>R5</b>	Narrow

### Mounting

<b>BLANK</b>	Wall
<b>H</b>	Hub
<b>Y</b>	Yoke

### Voltage

<b>-UNV1</b>	120-277 VAC, 50/60 Hz; 125, 250VDC
<b>-UNV34</b>	347-480 VAC, 50/60 Hz

### Lens type

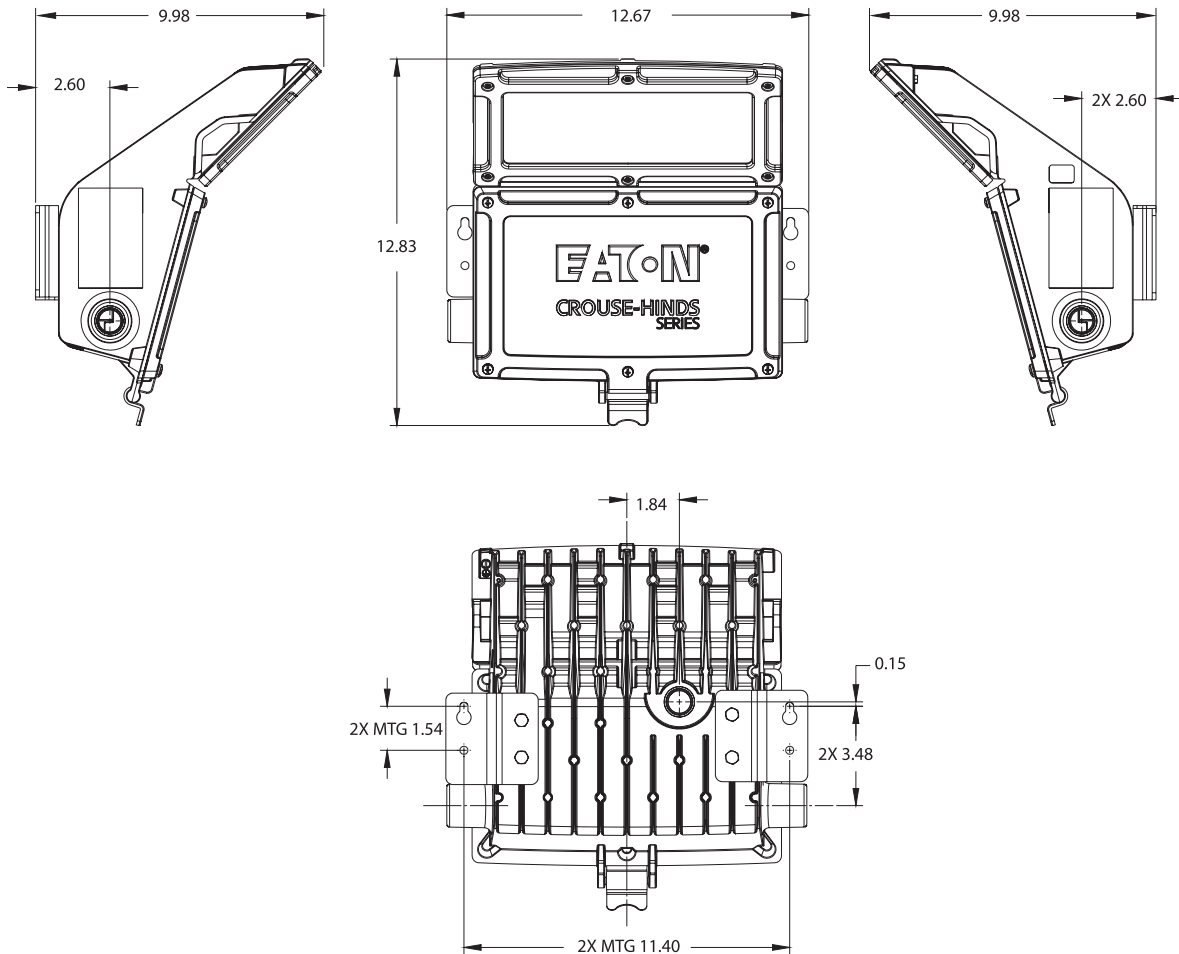
<b>BLANK</b>	Clear glass
<b>S891</b>	Diffused glass
<b>S903</b>	Clear polycarbonate
<b>S903D</b>	Diffused polycarbonate

### Photocell\*

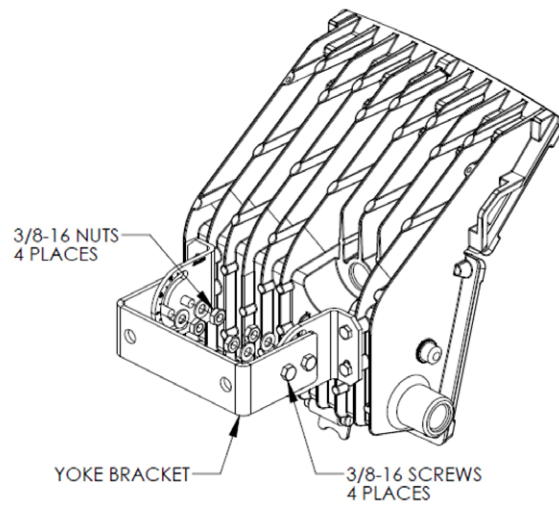
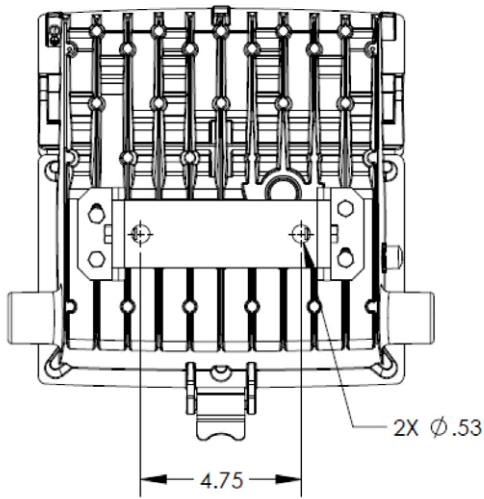
<b>PC1</b>	120V
<b>PC2</b>	208-277V

\*Class I, Division 2 only.

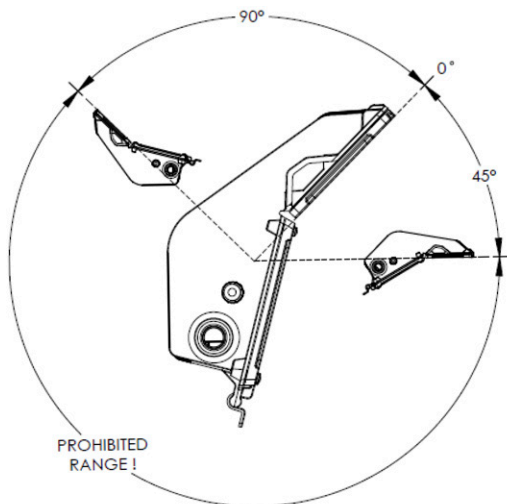
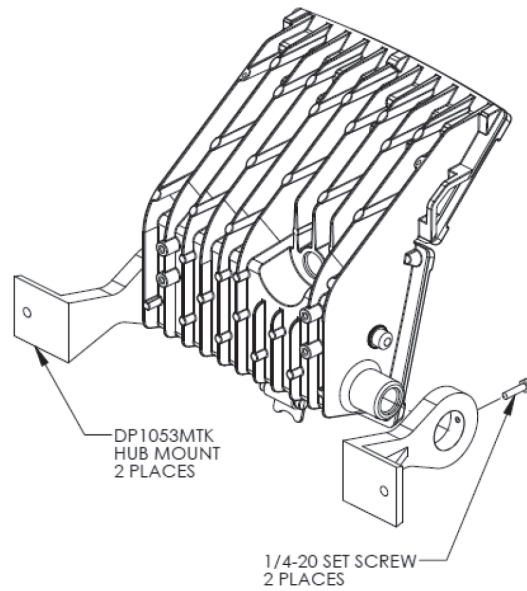
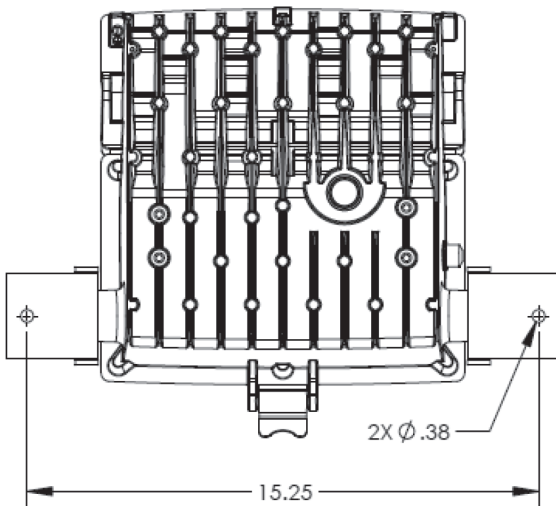
## Dimensions: standard wall mount



## Dimensions: Yoke mount



## Dimensions: Hub mount



Mounting method	Angle range	Mounting surface
Wall (standard)	Fixed	Wall
Yoke	+45° to -90°	Wall, Ceiling, Horizontal Surface/Ground
Hub (DP1053MTK)	+45° to -90°	Wall, Ceiling, Horizontal Surface/Ground

**Note:** Class II, Div.1 and Simultaneous Presence Class I, Div. 2 and Class II will be limited to 0° to +45° aiming range only.

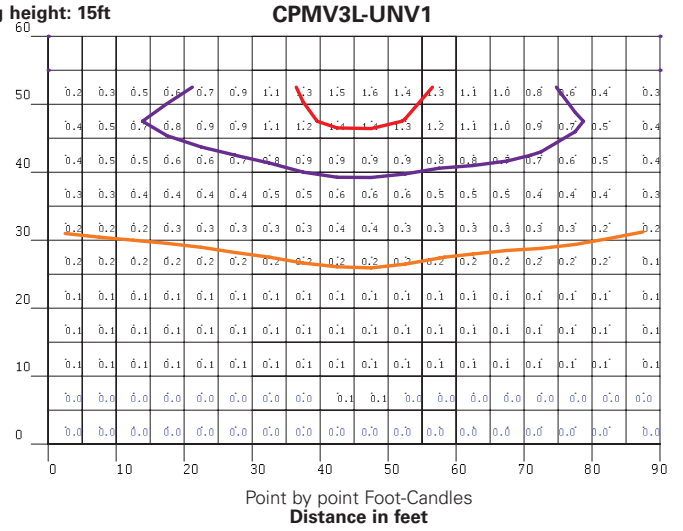
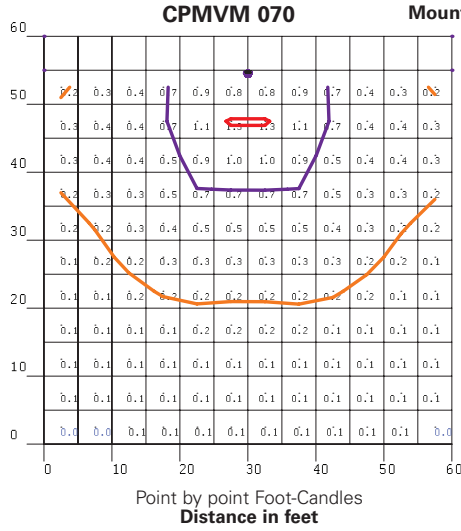
# Photometrics

## CPMV3L-UNV1

Illuminance (Fc)	
<b>Average</b>	0.3
<b>Min.</b>	0.0
<b>Max.</b>	1.6

## CPMV3L-UNV1

Illuminance (Fc)	
<b>Average</b>	0.3
<b>Min.</b>	0.0
<b>Max.</b>	1.3

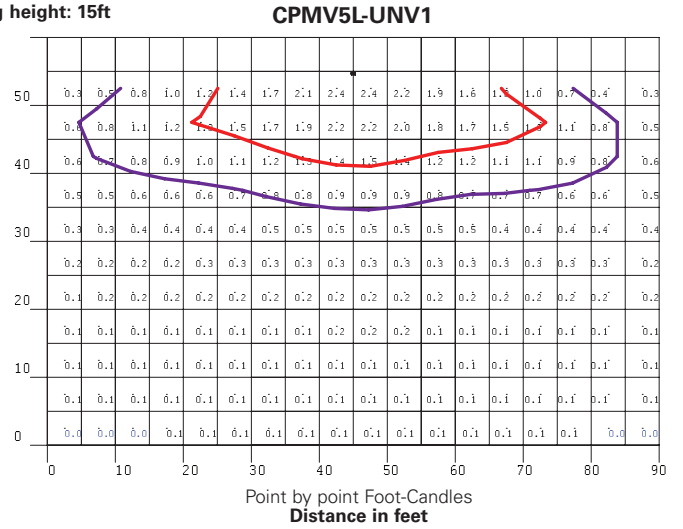
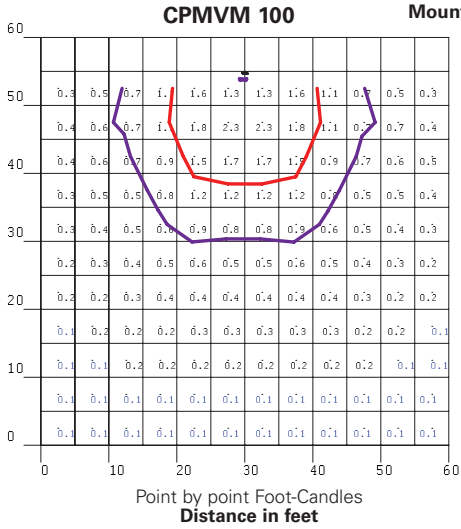


## CPMV5L-UNV1

Illuminance (Fc)	
<b>Average</b>	0.5
<b>Min.</b>	0.0
<b>Max.</b>	2.4

## CPMV5L-UNV1

Illuminance (Fc)	
<b>Average</b>	0.5
<b>Min.</b>	0.1
<b>Max.</b>	2.3

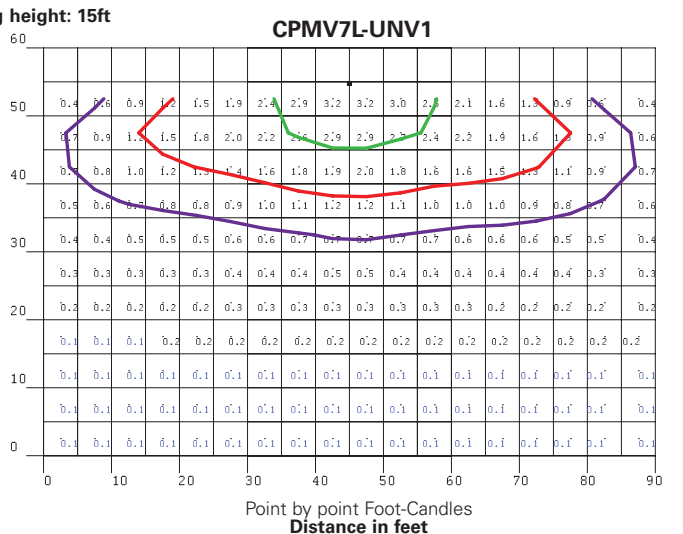
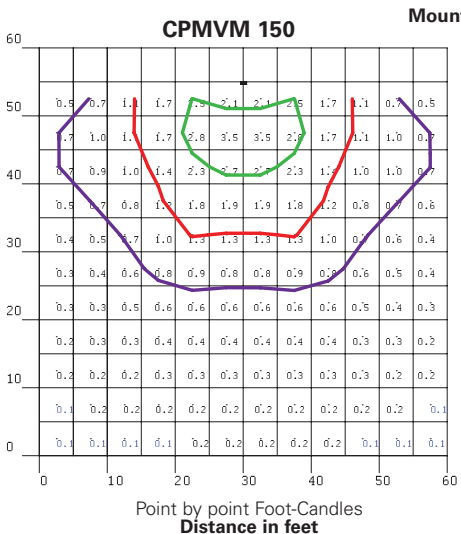


## CPMV7L-UNV1

Illuminance (Fc)	
<b>Average</b>	0.7
<b>Min.</b>	0.1
<b>Max.</b>	3.2

## CPMV7L-UNV1

Illuminance (Fc)	
<b>Average</b>	0.8
<b>Min.</b>	0.1
<b>Max.</b>	1.5



**U.S. (global headquarters):  
Eaton's Crouse-Hinds Division**

1201 Wolf Street  
Syracuse, NY 13208

(866) 764-5454  
FAX: (315) 477-5179  
FAX Orders Only:  
(866) 653-0640

[crousecustomerctr@eaton.com](mailto:crousecustomerctr@eaton.com)

**For more information:**

If further assistance is required, please contact an authorized Eaton Distributor, Sales Office, or Customer Service Department.

**Canada**

Toll Free: 800-265-0502  
FAX: (800) 263-9504  
FAX Orders only: (866) 653-0645

**Mexico/Latin America/Caribbean**

52-555-804-4000  
FAX: 52-555-804-4020  
[ventascentromex@eaton.com](mailto:ventascentromex@eaton.com)

**Europe (Germany)**

49 (0) 6271 806-500  
49 (0) 6271 806-476  
[info-ex@eaton.com](mailto:info-ex@eaton.com)

**Middle East**

971 4 8066100  
FAX: 971 4 8894813  
[chmesales@eaton.com](mailto:chmesales@eaton.com)

**Singapore**

65-6645-9888  
FAX: 65-6297-4819  
[chsi-sales@eaton.com](mailto:chsi-sales@eaton.com)

**China**

86-21-2899-3600  
FAX: 86-21-2899-4055  
[echsales@eaton.com](mailto:echsales@eaton.com)

**Korea**

82 2 6380 4032  
82-2-6380-4070  
[ECHKsales@eaton.com](mailto:ECHKsales@eaton.com)

**Australia**

1300-332-866  
FAX: 61-2-9693-5127  
[crousehindsanz@eaton.com](mailto:crousehindsanz@eaton.com)

**India**

91-124-4683888  
FAX: 91-124-4683899  
[cchindia@eaton.com](mailto:cchindia@eaton.com)

**Eaton**  
1000 Eaton Boulevard  
Cleveland, OH 44122  
United States  
[Eaton.com](http://Eaton.com)

© 2019 Eaton  
All Rights Reserved  
Printed in USA  
Publication No. 5429-0520  
May 2020

Eaton is a registered trademark.

All other trademarks are property of their respective owners.