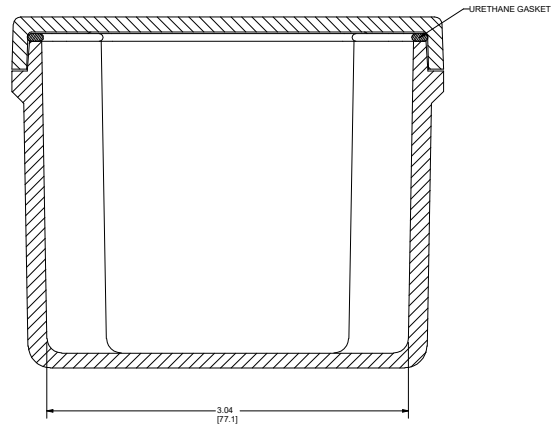
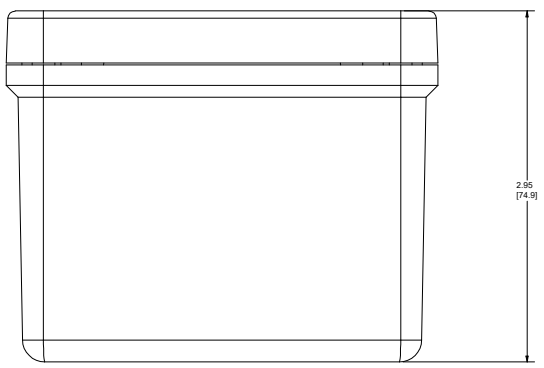
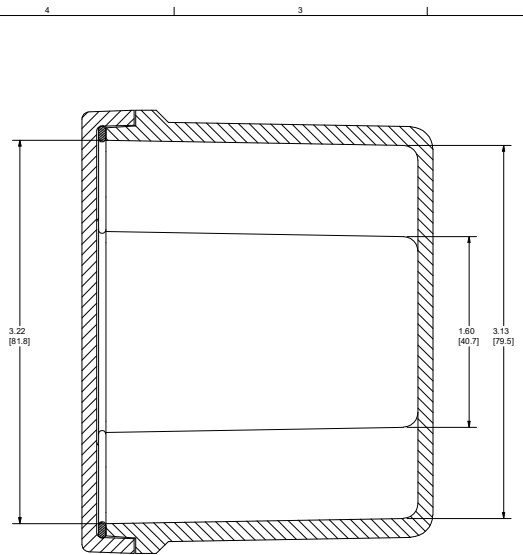
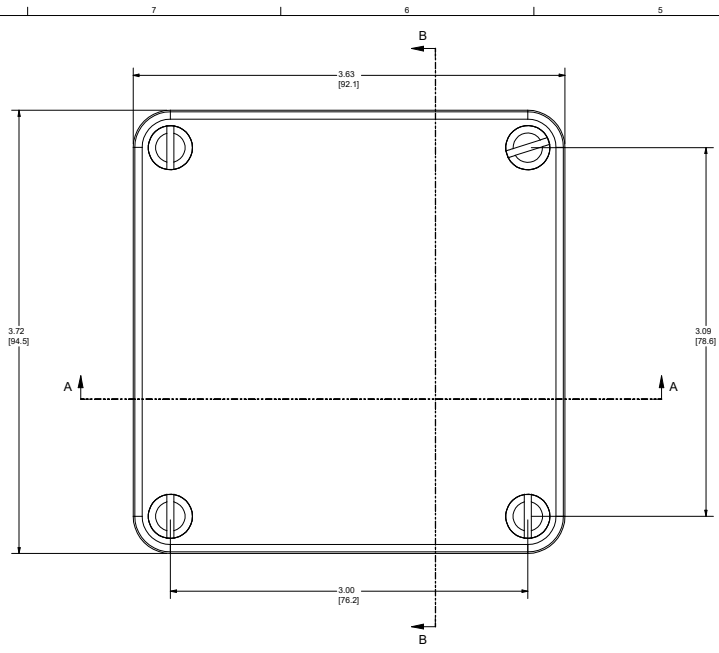


SECTION B-B

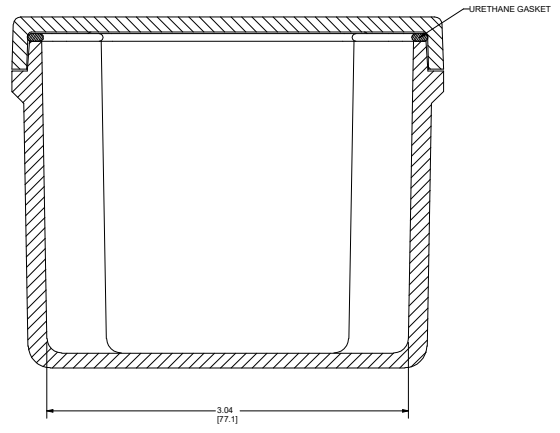
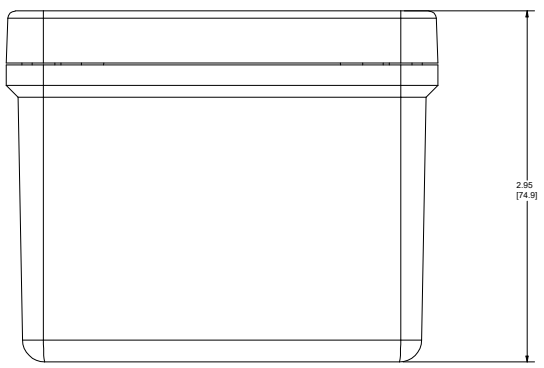


SECTION A-A

NOTES				1. 35. 44. 66. 12		ALL DIMENSIONS ARE INCHES (MILLIMETERS) UNLESS SPECIFIED		TOLERANCES xx ± 0.03(0.79) xxx ± 0.010 (0.25)	
MATERIAL				COLOR GLASSER GRAY BR1813		DR. BY		DATE	
FR POLYESTER FIBERGLASS						10/29/2007			
REVISION RECORD				DATE		BY		CHK	
LIT				-		-		-	
APD. BY				DATE		CUSTOMER		BELDING MICHIGAN 48809	
SCALE				DO NOT SCALE		PART NAME		PART NO. CF332	
THIS DRAWING AND THE INFORMATION HEREON ARE OUR PROPERTY AND MAY BE USED BY OTHERS ONLY AS AUTHORIZED BY STI AND ENCLOSURES DIVISION OF BELDING. RESISTANCE ALL RIGHTS RESERVED UNDER THE COPYRIGHT LAWS.								SHT 1 OF 1	



SECTION B-B



SECTION A-A

NOTES		1. 35. 44. 66. 12		ALL DIMENSIONS ARE INCHES (MILLIMETERS) UNLESS SPECIFIED		TOLERANCES xx ± 0.03(0.79) xxx ± 0.010 (0.25)	
MATERIAL		FR POLYESTER FIBERGLASS		DR. BY		DATE	
COLOR GLAZER GRAY RR1813				10/29/2007			
REVISION RECORD		DATE		BY		CHK. BY	
1							
APD. BY		DATE		CUSTOMER		BELDING, MICHIGAN 48809	
SCALE		DO NOT SCALE		PART NAME		PART NO.	
						CF332	
THIS DRAWING AND THE INFORMATION HEREON ARE OUR PROPERTY AND MAY BE USED BY OTHERS ONLY AS AUTHORIZED BY STI AND ENCLOSURES DIVISION OF BELDING. RESISTANCE ALL RIGHTS RESERVED UNDER THE COPYRIGHT LAWS.						SHT 1 OF 1	