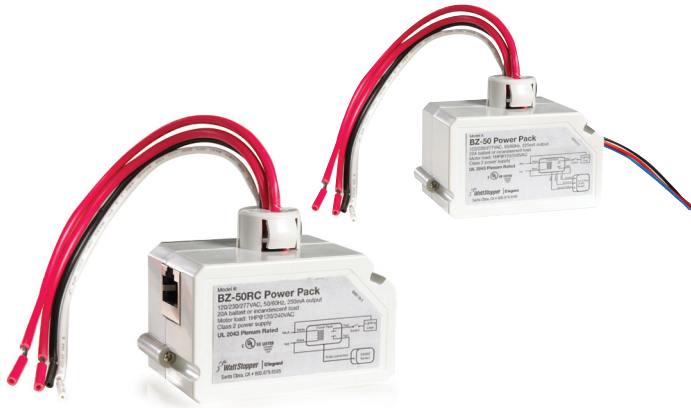


UNIVERSAL VOLTAGE POWER PACKS

| BZ-50 SERIES

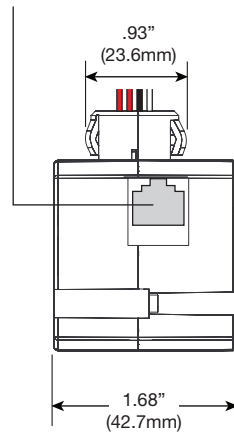
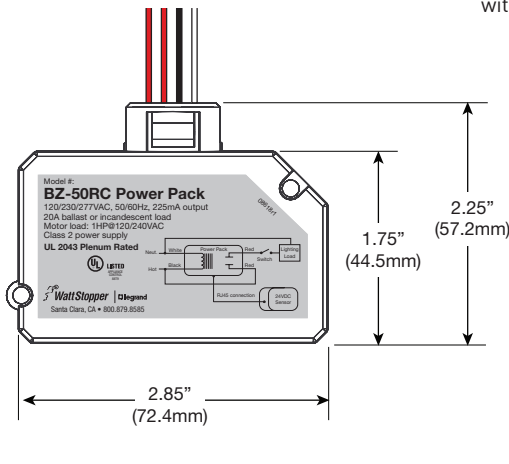


Product Overview

The BZ-50RC power pack is the foundation for a low voltage lighting control system. The BZ-50RC supplies low voltage power to FS occupancy sensors and other control devices that are equipped with an RJ45 jack.

The BZ-50RC switches line voltage in response to signals from control devices. The BZ-50RC power pack is attached to an existing junction box or mounted into a fixture wiring tray.

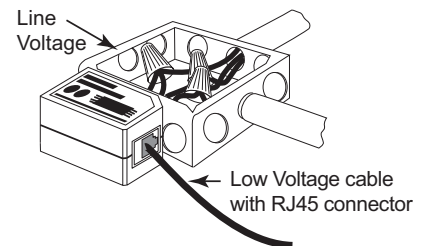
The BZ-50RC includes a RJ45 receptacle for easy plug and play with all low voltage FS sensors

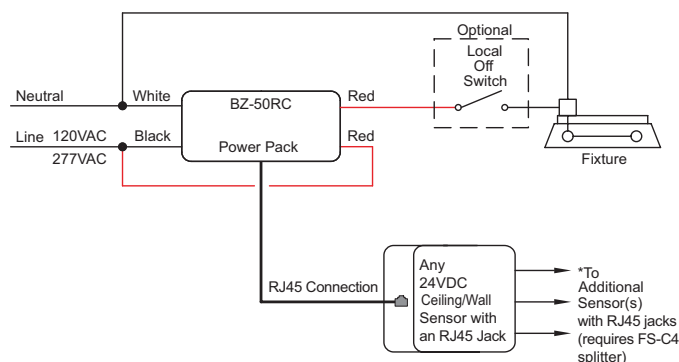


| Models |
|---|
| BZ-50RC BZ-50 |
| Specifications and Features |
| Power: 120/230 (1P, L-N)/277VAC, 50/60Hz |
| Output: 225 mA @ +24VDC with relay connected 120/277 VAC, 20 A |
| Low Voltage Connections: RJ45 connection to FS sensors Control in, common, +24VDC |
| For use with all low voltage fixture sensors |
| Weight: 5.6 oz (158.8 g) |
| RJ45 receptacle for easy plug and play with all low voltage FS sensors |
| Zero Crossing Circuitry for increased sensor life |
| UL 2043 plenum rated |
| Operating conditions: 32°F to 104°F (0°C to 40°C); 5% to 95% RH, non condensing |
| UL and cUL listed |
| Indoor use only |
| Five year warranty |
| Materials |
| ABS, flame retardant |
| Meets materials restrictions of RoHS |

Installing the BZ-50RC in a Light Fixture

1. Determine an appropriate mounting location for the power pack.
2. Attach the power pack to an electrical enclosure.
3. Connect wires to load as described in the wiring section.
4. Connect wires to electrical supply as described in the wiring section.
5. Connect the RJ45 from the sensor to the RJ45 on the power pack.
6. Restore power from the circuit breaker.



Wiring Diagram

Figure 1. BZ-50RC wiring to lighting load and sensor
Notes

1. Power packs should be installed in accordance with state, local and national electrical codes and requirements.
2. Power packs are designed to attach to existing or new electrical enclosures with 1/2 inch knockouts.
3. For plenum return ceilings, use UL listed plenum-approved cables.
4. The BZ-50RC is a Class 2 Output Power Supply, suitable for parallel interconnection of up to 10 units maximum. This power pack is UL Listed for Interconnection of Power Sources in accordance with the National Electric Code.

Ordering Information

| Catalog # | Master Pack Details | | | | |
|-----------|----------------------|--------------------------|-------|--------|-----------------|
| | Master Pack Quantity | Case dimensions (inches) | | | Weight (pounds) |
| | | Length | Width | Height | |
| BZ-50RC | 40 | 13.46 | 13.58 | 9.06 | 15.0 |
| BZ-50 | 40 | 13.46 | 13.58 | 9.06 | 15.0 |
| FS-C1 | 160 | 14.17 | 11.02 | 11.02 | 31.62 |
| FS-C1-20 | 120 | 13.38 | 18.50 | 13.97 | 44.92 |
| FS-C2 | 700 | 15.0 | 18.50 | 19.0 | 16.82 |
| FS-C2-J | 500 | 13.46 | 13.58 | 10.0 | 4.02 |
| FS-C3 | 350 | 15.0 | 13.50 | 19.0 | 28.08 |
| FS-C4 | 750 | 16.34 | 12.75 | 20.27 | 40.0 |
| FS-C5 | 600 | 14.17 | 11.02 | 14.17 | 22.34 |
| FS-C6 | 500 | 15.0 | 13.50 | 19.0 | 24.62 |
| FS-CK-2 | 320 | 20.0 | 17.50 | 14.0 | 25.0 |

| Inner Pack Quantity | Inner Pack Details | | | |
|---------------------|--------------------------|-------|--------|-----------------|
| | Case dimensions (inches) | | | Weight (pounds) |
| | Length | Width | Height | |
| 10 | 13.0 | 6.30 | 3.93 | 3.55 |
| 10 | 13.0 | 6.30 | 3.93 | 3.55 |
| 10 | 13.0 | 9.0 | 2.0 | 1.9 |
| 5 | 13.0 | 9.0 | 2.0 | 1.8 |
| 20 | 13.0 | 9.0 | 2.0 | 20.0 |
| 100 | 7.0 | 4.0 | 1.50 | 0.36 |
| 10 | 13.0 | 9.0 | 2.0 | 0.76 |
| 15 | 9.0 | 7.0 | 1.0 | 0.76 |
| 30 | 12.0 | 6.0 | 1.0 | 1.04 |
| 10 | 13.0 | 9.0 | 2.0 | 0.46 |
| 80 | 19.5 | 8.0 | 6.25 | 5.5 |

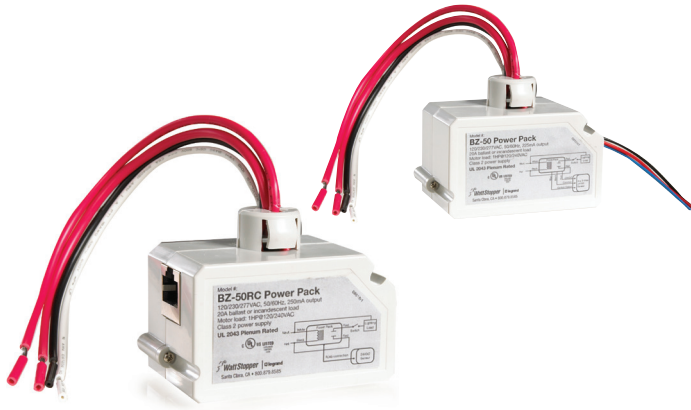
| Catalog # | Color | Description | Input Voltage |
|-----------------------------------|-------|--|-------------------------------------|
| <input type="checkbox"/> BZ-50RC | White | Universal Voltage Power Pack with RJ45 connection | 120/230 (1P, L-N) /277 VAC, 50/60Hz |
| <input type="checkbox"/> BZ-50 | White | Universal Voltage Power Pack with flying leads | |
| <input type="checkbox"/> FS-C1 | | 10' (3.048m) cable with shielded RJ45 male connectors at each end | |
| <input type="checkbox"/> FS-C1-20 | | 20' (6.096m) extension cable with shielded RF45 male connectors at each end | |
| <input type="checkbox"/> FS-C2 | | 6" (0.152m) cable with 3 flying leads at one end and a shielded RJ45 male connector on the other | |
| <input type="checkbox"/> FS-C2-J | | RJ45 override jumper | |
| <input type="checkbox"/> FS-C3 | | 3' (0.914m) cable with shielded 90° male RJ45 on one end and shielded straight male RJ45 on the other | |
| <input type="checkbox"/> FS-C4 | | Shielded RJ45 splitter with female to dual female receptacles | |
| <input type="checkbox"/> FS-C5 | | Shielded RJ45 male to male coupler | |
| <input type="checkbox"/> FS-C6 | | 24" (0.610m) cable with 90° RJ45 connector and 3 flying leads | |
| <input type="checkbox"/> FS-CK-2 | | 6" (0.152m) cable with 3 flying leads at one end and shielded RJ45 male connector at the other, plus shielded male to male coupler | |

Information supplied above is subject to change.

Harmonization code: 8504406001. Country of origin: China.

UNIVERSAL VOLTAGE POWER PACKS

| BZ-50 SERIES

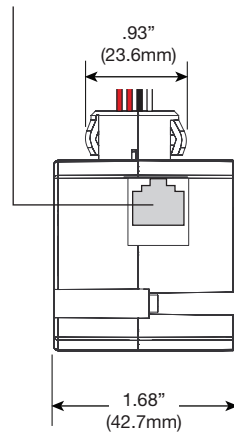
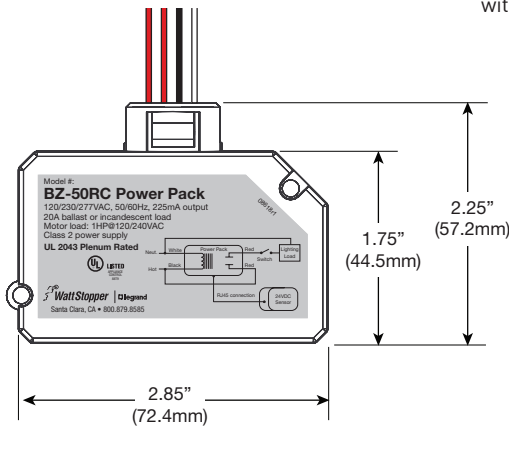


Product Overview

The BZ-50RC power pack is the foundation for a low voltage lighting control system. The BZ-50RC supplies low voltage power to FS occupancy sensors and other control devices that are equipped with an RJ45 jack.

The BZ-50RC switches line voltage in response to signals from control devices. The BZ-50RC power pack is attached to an existing junction box or mounted into a fixture wiring tray.

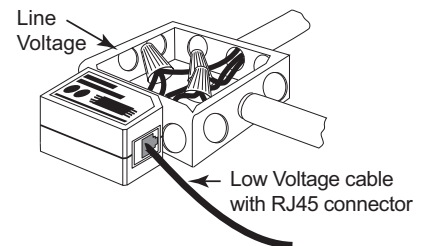
The BZ-50RC includes a RJ45 receptacle for easy plug and play with all low voltage FS sensors

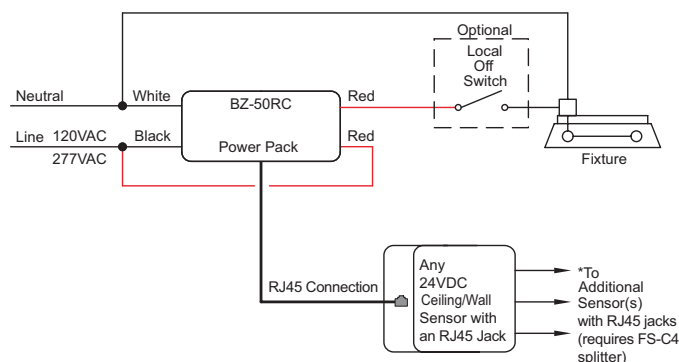


| Models |
|---|
| BZ-50RC BZ-50 |
| Specifications and Features |
| Power: 120/230 (1P, L-N)/277VAC, 50/60Hz |
| Output: 225 mA @ +24VDC with relay connected 120/277 VAC, 20 A |
| Low Voltage Connections: RJ45 connection to FS sensors Control in, common, +24VDC |
| For use with all low voltage fixture sensors |
| Weight: 5.6 oz (158.8 g) |
| RJ45 receptacle for easy plug and play with all low voltage FS sensors |
| Zero Crossing Circuitry for increased sensor life |
| UL 2043 plenum rated |
| Operating conditions: 32°F to 104°F (0°C to 40°C); 5% to 95% RH, non condensing |
| UL and cUL listed |
| Indoor use only |
| Five year warranty |
| Materials |
| ABS, flame retardant |
| Meets materials restrictions of RoHS |

Installing the BZ-50RC in a Light Fixture

1. Determine an appropriate mounting location for the power pack.
2. Attach the power pack to an electrical enclosure.
3. Connect wires to load as described in the wiring section.
4. Connect wires to electrical supply as described in the wiring section.
5. Connect the RJ45 from the sensor to the RJ45 on the power pack.
6. Restore power from the circuit breaker.



Wiring Diagram

Figure 1. BZ-50RC wiring to lighting load and sensor
Notes

1. Power packs should be installed in accordance with state, local and national electrical codes and requirements.
2. Power packs are designed to attach to existing or new electrical enclosures with 1/2 inch knockouts.
3. For plenum return ceilings, use UL listed plenum-approved cables.
4. The BZ-50RC is a Class 2 Output Power Supply, suitable for parallel interconnection of up to 10 units maximum. This power pack is UL Listed for Interconnection of Power Sources in accordance with the National Electric Code.

Ordering Information

| Catalog # | Master Pack Details | | | | |
|-----------|----------------------|--------------------------|-------|--------|-----------------|
| | Master Pack Quantity | Case dimensions (inches) | | | Weight (pounds) |
| | | Length | Width | Height | |
| BZ-50RC | 40 | 13.46 | 13.58 | 9.06 | 15.0 |
| BZ-50 | 40 | 13.46 | 13.58 | 9.06 | 15.0 |
| FS-C1 | 160 | 14.17 | 11.02 | 11.02 | 31.62 |
| FS-C1-20 | 120 | 13.38 | 18.50 | 13.97 | 44.92 |
| FS-C2 | 700 | 15.0 | 18.50 | 19.0 | 16.82 |
| FS-C2-J | 500 | 13.46 | 13.58 | 10.0 | 4.02 |
| FS-C3 | 350 | 15.0 | 13.50 | 19.0 | 28.08 |
| FS-C4 | 750 | 16.34 | 12.75 | 20.27 | 40.0 |
| FS-C5 | 600 | 14.17 | 11.02 | 14.17 | 22.34 |
| FS-C6 | 500 | 15.0 | 13.50 | 19.0 | 24.62 |
| FS-CK-2 | 320 | 20.0 | 17.50 | 14.0 | 25.0 |

| Inner Pack Quantity | Inner Pack Details | | | |
|---------------------|--------------------------|-------|--------|-----------------|
| | Case dimensions (inches) | | | Weight (pounds) |
| | Length | Width | Height | |
| 10 | 13.0 | 6.30 | 3.93 | 3.55 |
| 10 | 13.0 | 6.30 | 3.93 | 3.55 |
| 10 | 13.0 | 9.0 | 2.0 | 1.9 |
| 5 | 13.0 | 9.0 | 2.0 | 1.8 |
| 20 | 13.0 | 9.0 | 2.0 | 20.0 |
| 100 | 7.0 | 4.0 | 1.50 | 0.36 |
| 10 | 13.0 | 9.0 | 2.0 | 0.76 |
| 15 | 9.0 | 7.0 | 1.0 | 0.76 |
| 30 | 12.0 | 6.0 | 1.0 | 1.04 |
| 10 | 13.0 | 9.0 | 2.0 | 0.46 |
| 80 | 19.5 | 8.0 | 6.25 | 5.5 |

| Catalog # | Color | Description | Input Voltage |
|-----------------------------------|-------|--|-------------------------------------|
| <input type="checkbox"/> BZ-50RC | White | Universal Voltage Power Pack with RJ45 connection | 120/230 (1P, L-N) /277 VAC, 50/60Hz |
| <input type="checkbox"/> BZ-50 | White | Universal Voltage Power Pack with flying leads | |
| <input type="checkbox"/> FS-C1 | | 10' (3.048m) cable with shielded RJ45 male connectors at each end | |
| <input type="checkbox"/> FS-C1-20 | | 20' (6.096m) extension cable with shielded RF45 male connectors at each end | |
| <input type="checkbox"/> FS-C2 | | 6" (0.152m) cable with 3 flying leads at one end and a shielded RJ45 male connector on the other | |
| <input type="checkbox"/> FS-C2-J | | RJ45 override jumper | |
| <input type="checkbox"/> FS-C3 | | 3' (0.914m) cable with shielded 90° male RJ45 on one end and shielded straight male RJ45 on the other | |
| <input type="checkbox"/> FS-C4 | | Shielded RJ45 splitter with female to dual female receptacles | |
| <input type="checkbox"/> FS-C5 | | Shielded RJ45 male to male coupler | |
| <input type="checkbox"/> FS-C6 | | 24" (0.610m) cable with 90° RJ45 connector and 3 flying leads | |
| <input type="checkbox"/> FS-CK-2 | | 6" (0.152m) cable with 3 flying leads at one end and shielded RJ45 male connector at the other, plus shielded male to male coupler | |

Information supplied above is subject to change.

Harmonization code: 8504406001. Country of origin: China.