

Bullhorn bracket safely supports HID floodlights. Great with Floodzilla, Megaflood and Flexflood models.

Color: Bronze

Weight: 21.1 lbs

Project:	Type:
Prepared By:	Date:

Technical Specifications

Construction

Finish:

Chip and fade resistant bronze polyester powder coating Weather resistant polyester powder, bronze

Bullhorns:

2 tenons for slip fitters. Bullhorns fit 2 3/8" (6cm) O.D. tenons and accommodate 2 3/8" (6cm) slip fitters. Steel tubing.150" and.200" thick welded.

Slipfitters & Wall Brackets:

3/16" thick steel with 1/2" nuts and bolts

Bracket EPA:

1.35.

Maximum Weight Capacity:

100 lbs per arm

EPA Maximum Capacity:

5.0 per arm.

Other

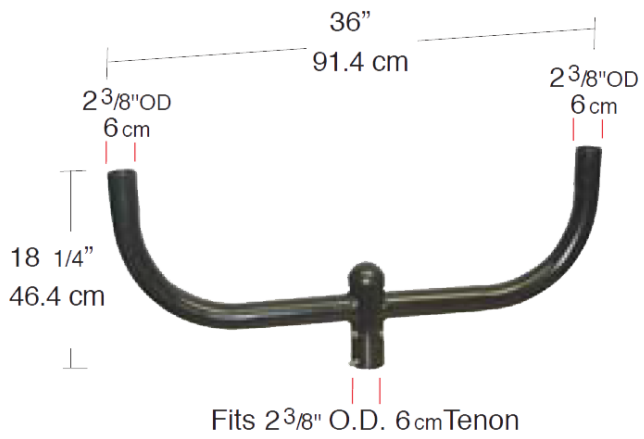
Patents:

The designs of fixtures are protected under U.S. and international intellectual property laws.

Buy American Act Compliance:

RAB values USA manufacturing! Upon request, RAB may be able to manufacture this product to be compliant with the Buy American Act (BAA). Please contact customer service to request a quote for the product to be made BAA compliant.

Dimensions



Features

- Easy, secure floodlight mounting
- Double Reinforced weld joints