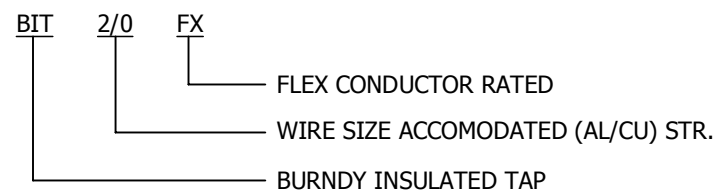
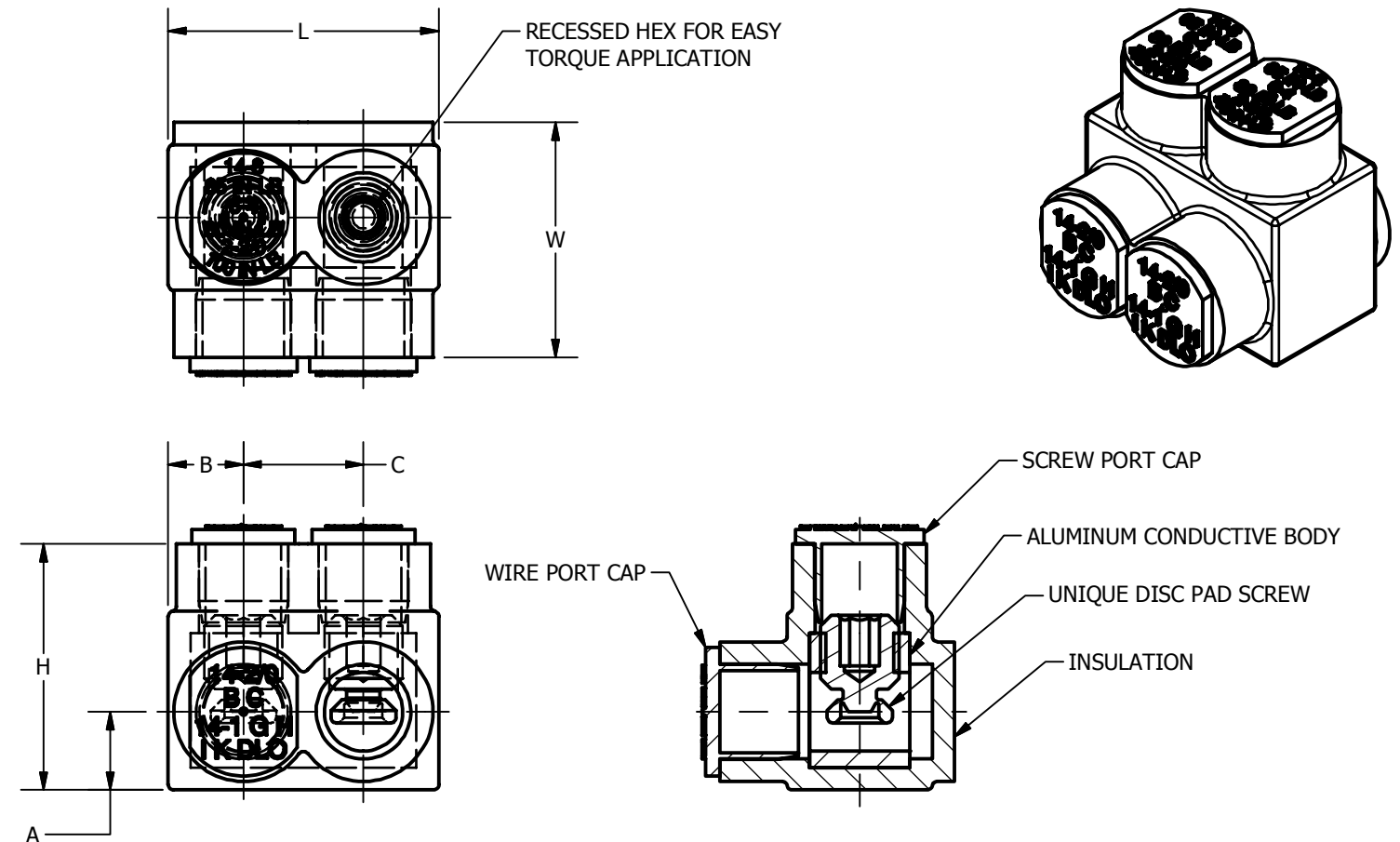


CATALOG NUMBER	ITEM NUMBER	WIRE RANGE	L	W	H	A	B	C	HEX KEY	TORQUE, IN-LBS		COLOR CODE	AMP RATING ⁶
										#14-#8 AL	#14-#8 CU		
BIT4FX	50046814	#14-#4 CLASS B, C #14-#6 CLASS G, H I, K, DLO	1.08	1.13	1.25	.44	.32	.44	1/8	#14-#8 AL 10 #14-#8 CU 25 #6-#4 30	BROWN	85	
BIT2/0FX	50046821	#14-2/0 CLASS B, C #14-#1 CLASS G, H I, K, DLO	1.52	1.31	1.38	.44	.42	.67	3/16	#14-#6 80 #4-2/0 100	BLACK	175	
BIT250FX	50046831	#10-250 CLASS B, C #10-3/0 CLASS G, H I, K, DLO	2.03	2.13	2.13	.58	.55	.94	5/16	#10-#1 180 1/0-250 300	YELLOW	255	
BIT350FX	50046841	#10-350 CLASS B, C #10-250 CLASS G, H I, K, DLO	2.22	2.38	2.50	.69	.66	.91	5/16	#10-4/0 220 250-300 450	RED	310	
BIT600FX	50046851	#4-600 CLASS B, C #4-373 CLASS G, H I, K, DLO	2.75	2.38	2.75	.81	.72	1.28	3/8	375	GREEN	420	
BIT750FX	50046861	#2-750 CLASS B, C #2-535 CLASS G, H I, K, DLO	2.88	2.75	3.00	.90	.75	1.38	3/8	375	BLACK	475 ⁷	

REV	DATE	DESCRIPTION	ECO	BY	C'HK.
A	12/08/2015	UPDATED TORQUE AND AMPERAGE RATING	42314	NG	RG



NOTES:

- DIMENSIONS IN BRACKETS [] ARE IN MILLIMETERS ROUNDED OFF TO THE NEAREST MILLIMETER, UNLESS OTHERWISE SPECIFIED AND ARE FOR REFERENCE ONLY.
- THIS DRAWING TO BE INTERPRETED PER ASME Y14.5M-2009.
- MATERIAL: BODY - TIN PLATED ALUMINUM
SCREW - CLEAR COATED ALUMINUM
INSULATION - PLASTISOL
CAPS - POLYETHOLENE
- OPERATING TEMPERATURE - -40°C TO 135°C.
- VOLTAGE RATING - 600 V.

LISTED TO 486A-B, FILE E9498

CERTIFIED TO C22.2, NO. 65, FILE 042860_C_000

⁶ AMPERAGE RATING - SEE TABLE.

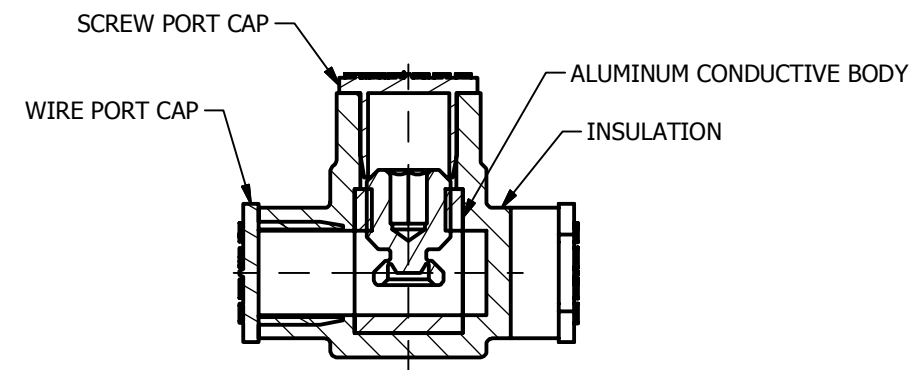
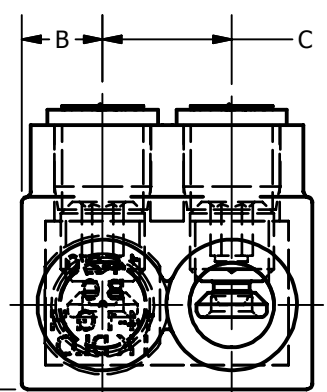
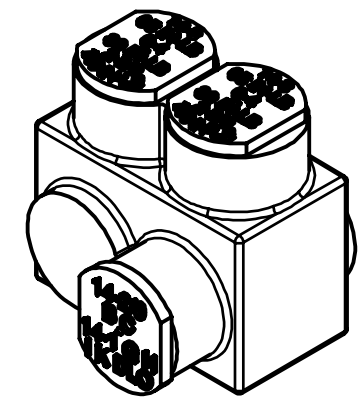
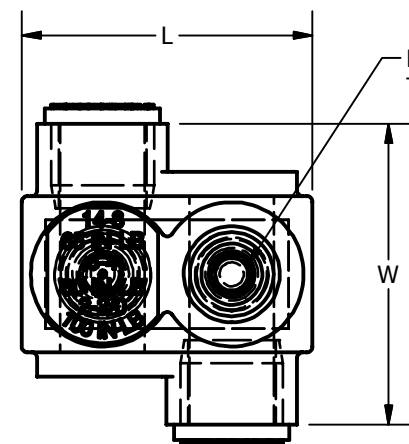
⁷ NOT UL LISTED OR CSA CERTIFIED.

FEATURES	BENEFITS
PLASTISOL COVERED AL 6060-T6 BODY	SAVES TIME, LOWERS INSTALLATION COST, ELIMINATES TAPING
CLEAR PLASTISOL	ALLOWS VISUAL CONFIRMATION THAT CONDUCTOR IS PROPERLY INSERTED
OXIDE-INHIBITOR IS PREFILLED	INHIBITS MOISTURE AND CONTAMINATES FROM ENTERING THE CONTACT AREA
RANGE-TAKING IN BOTH CODE AND FLEX	REDUCES THE NUMBER OF CONNECTORS CARRIED IN INVENTORY
WIRE AND SCREW PORT COVERS	PROTECTS AGAINST CONTAMINATION AND ACCIDENTAL CONTACT OF ENERGIZED PARTS.
WIRE RANGE AND TORQUE REQUIREMENTS PRINTED ONTO THE CAPS	ALLOWS FOR EASY REFERENCE TO IMPORTANT INSTALLATION INFORMATION
UNIQUE DISC PAD SCREW	IMPROVES WIRE CONTACT AREA

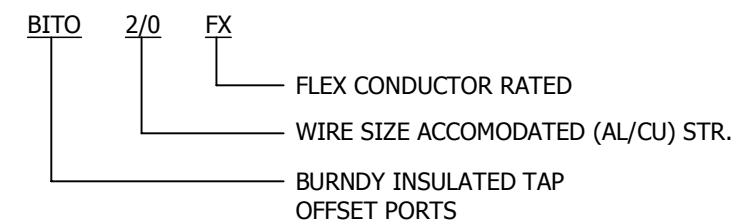
TO ORDER BURNDY® PRODUCTS CALL		FULLY INSULATED DISTRIBUTION BLOCKS-UNITAP™	
UNITED STATES 1-800-346-4175 (LONDONDERRY, NH)		ITEM NO: SEE TABLE	
CANADA: 1-800-361-6975 (QUEBEC) 1-800-387-6487 (ALL OTHER PROVINCES)		CAT. NO: SEE TABLE	
FOR PRODUCT INFO: http://www.burndy.com		DRAWN BY: T.REYNOLDS 08/14/2014	
		CHECKER: T.REYNOLDS 08/27/2014	
		DSN APRVL: T.REYNOLDS 12/21/2015	
		MFG APRVL: --	
		QA APRVL: C.KOWALCZYK 12/21/2015	
		MKT APRVL: M.BAILLY 12/21/2015	
		PROJ #: --	
		SIZE: B	
		DRAWING NO: 50046931	
		REV: A	
		SHEET 1 OF 15	

CATALOG NUMBER	ITEM NUMBER	WIRE RANGE	L	W	H	A	B	C	HEX KEY	TORQUE, IN-LBS		COLOR CODE	AMP RATING
										#14-#8 AL	#14-#8 CU		
BITO4FX	50046802	#14-#4 CLASS B, C #14-#6 CLASS G, H I, K, DLO	1.08	1.50	1.25	.44	.32	.44	1/8	#14-#8 AL	10	BROWN	85
										#14-#8 CU	25		
										#6-#4	30		
BITO2/0FX	50046804	#14-2/0 CLASS B, C #14-#1 CLASS G, H I, K, DLO	1.52	1.56	1.38	.44	.42	.67	3/16	#14-#6	80	BLACK	175
										#4-2/0	100		
BITO250FX	50046806	#10-250 CLASS B, C #10-3/0 CLASS G, H I, K, DLO	2.03	2.63	2.13	.58	.55	.94	5/16	#10-#1	180	YELLOW	255
										1/0-250	300		
BITO350FX	50046808	#10-350 CLASS B, C #10-250 CLASS G, H I, K, DLO	2.22	2.75	2.50	.69	.66	.91	5/16	#10-4/0	220	RED	310
										250-300	450		
BITO600FX	50046810	#4-600 CLASS B, C #4-373 CLASS G, H I, K, DLO	2.75	2.75	2.75	.81	.72	1.28	3/8	#4-1/0	300	GREEN	420
										2/0-4/0	350		
										250-600	400		
BITO750FX	50046812	#2-750 CLASS B, C #2-535 CLASS G, H I, K, DLO	2.88	3.13	3.00	.90	.75	1.38	3/8	#2-1/0	300	BLACK	475
										2/0-4/0	350		
										250-750	400		

REV	DATE	DESCRIPTION	ECO	BY	C'H.K.
A	12/08/2015	UPDATED TORQUE AND AMPERAGE RATING	42314	NG	RG



7



LISTED TO 486A-B, FILE E9498

CERTIFIED TO C22.2, NO. 65, FILE 042860_C_000

NOTES:

- DIMENSIONS IN BRACKETS [] ARE IN MILLIMETERS ROUNDED OFF TO THE NEAREST MILLIMETER, UNLESS OTHERWISE SPECIFIED AND ARE FOR REFERENCE ONLY.
- THIS DRAWING TO BE INTERPRETED PER ASME Y14.5M-2009.
- MATERIAL: BODY - TIN PLATED ALUMINUM
SCREW - CLEAR COATED ALUMINUM
INSULATION - PLASTISOL
CAPS - POLYETHYLENE
- OPERATING TEMPERATURE - -40°C TO 135°C.
- VOLTAGE RATING - 600 V.
- AMPERAGE RATING - SEE TABLE.

7 NOT UL LISTED OR CSA CERTIFIED

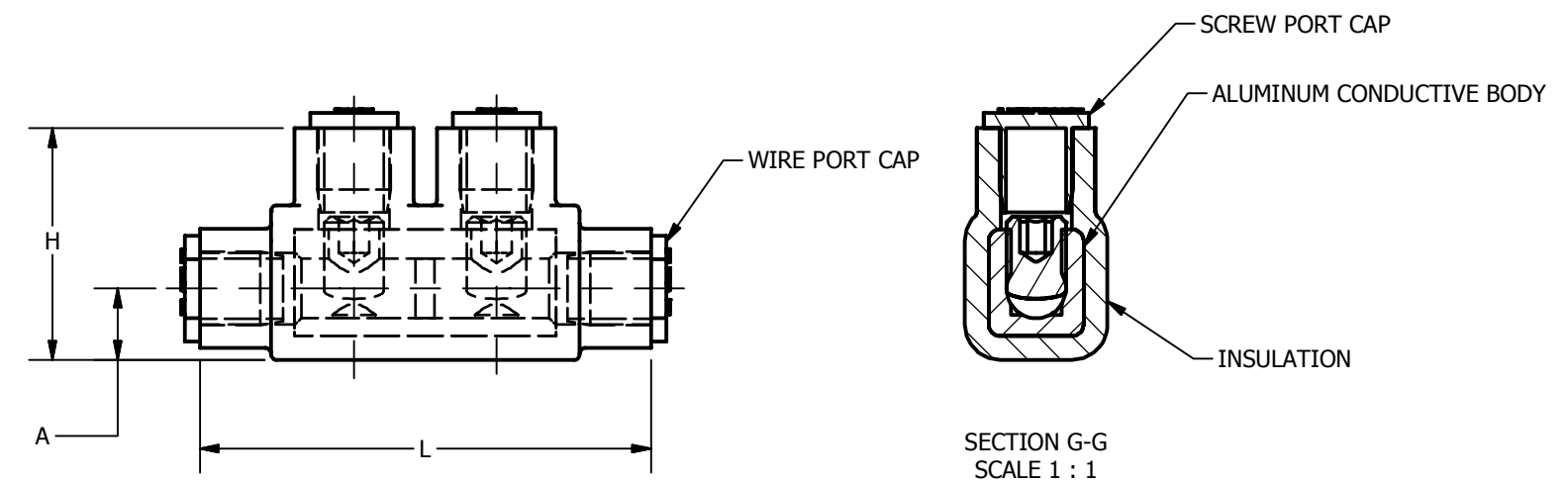
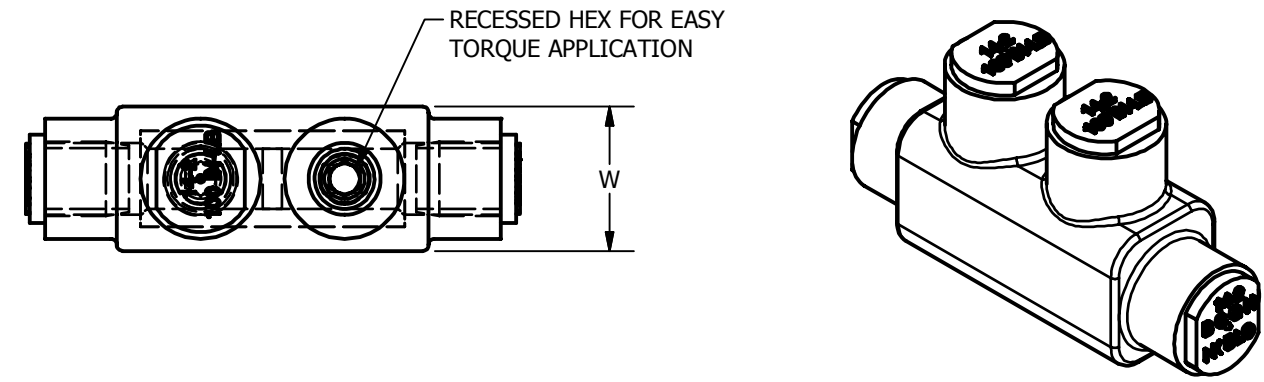
FEATURES	BENEFITS
PLASTISOL COVERED AL 6060-T6 BODY	SAVES TIME, LOWERS INSTALLATION COST, ELIMINATES TAPING
CLEAR PLASTISOL	ALLOWS VISUAL CONFIRMATION THAT CONDUCTOR IS PROPERLY INSERTED
OXIDE-INHIBITOR IS PREFILLED	INHIBITS MOISTURE AND CONTAMINATES FROM ENTERING THE CONTACT AREA
RANGE-TAKING IN BOTH CODE AND FLEX	REDUCES THE NUMBER OF CONNECTORS CARRIED IN INVENTORY
WIRE AND SCREW PORT COVERS	PROTECTS AGAINST CONTAMINATION AND ACCIDENTAL CONTACT OF ENERGIZED PARTS.
WIRE RANGE AND TORQUE REQUIREMENTS PRINTED ONTO THE CAPS	ALLOWS FOR EASY REFERENCE TO IMPORTANT INSTALLATION INFORMATION
UNIQUE DISC PAD SCREW	IMPROVES WIRE CONTACT AREA

TO ORDER BURNDY® PRODUCTS CALL		FULLY INSULATED DISTRIBUTION BLOCKS-UNITAP™	
1-800-346-4175 (LONDONDERRY, NH)		ITEM NO: SEE TABLE	
CANADA: 1-800-361-6975 (QUEBEC) 1-800-387-6487 (ALL OTHER PROVINCES)		CAT. NO: SEE TABLE	
FOR PRODUCT INFO: http://www.burndy.com		DRAWN BY: T.REYNOLDS 08/14/2014	
		CHECKER: T.REYNOLDS 08/27/2014	
		DSN APRVL: T.REYNOLDS 12/21/2015	
		MFG APRVL: --	
		QA APRVL: C. KOWALCZYK 12/21/2015	
		MKT APRVL: M.BAILLY 12/21/2015	
		PROJ #:	
		SIZE	
		50046931	
		B	
		SHEET 2 OF 15	
		A	



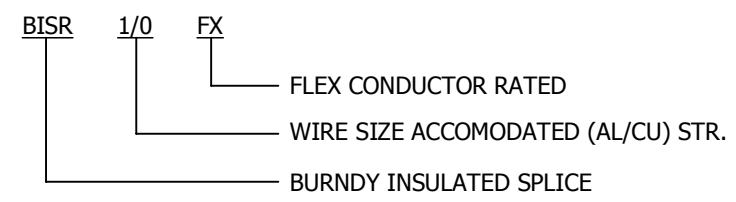
CATALOG NUMBER	ITEM NUMBER	WIRE RANGE	L	W	H	A	HEX KEY	TORQUE, IN-LBS	COLOR CODE	AMP RATING ⁶
BISR2FX	50046926	#14-#2 CLASS B, C #14-#2 CLASS G, H I, K, DLO	2.38	.75	1.22	.38	5/32	100	BROWN	115
BISR1/0FX	50046927	#14-1/0 CLASS B, C #14-#1 CLASS G, H I, K, DLO	2.91	.91	1.38	.45	3/16	120	PINK	150
BISR250FX	50046928	#10-250 CLASS B, C #10-3/0 CLASS G, H I, K, DLO	4.00	1.19	2.09	.59	5/16	275	YELLOW	250
BISR350FX	50046929	#10-350 CLASS B, C #10-250 CLASS G, H I, K, DLO	4.63	1.34	2.22	.67	5/16	275	RED	310
BISR500FX	50046930	#6-500 CLASS B, C #6-373 CLASS G, H I, K, DLO	5.25	1.63	2.63	.81	3/8	375	BROWN	380

REV	DATE	DESCRIPTION	ECO	BY	C'H'K.
A	12/08/2015	UPDATED TORQUE AND AMPERAGE RATING	42314	NG	RG



FEATURES	BENEFITS
PLASTISOL COVERED AL 6060-T6 BODY	SAVES TIME, LOWERS INSTALLATION COST, ELIMINATES TAPING
CLEAR PLASTISOL	ALLOWS VISUAL CONFIRMATION THAT CONDUCTOR IS PROPERLY INSERTED
OXIDE-INHIBITOR IS PREFILLED	INHIBITS MOISTURE AND CONTAMINATES FROM ENTERING THE CONTACT AREA
RANGE-TAKING IN BOTH CODE AND FLEX	REDUCES THE NUMBER OF CONNECTORS CARRIED IN INVENTORY
WIRE AND SCREW PORT COVERS	PROTECTS AGAINST CONTAMINATION AND ACCIDENTAL CONTACT OF ENERGIZED PARTS.
WIRE RANGE AND TORQUE REQUIREMENTS PRINTED ONTO THE CAPS	ALLOWS FOR EASY REFERENCE TO IMPORTANT INSTALLATION INFORMATION
UNIQUE DISC PAD SCREW	IMPROVES WIRE CONTACT AREA

- LISTED TO 486A-B, FILE E9498
- CERTIFIED TO C22.2, NO. 65, FILE 042860_C_000



- NOTES:**
- DIMENSIONS IN BRACKETS [] ARE IN MILLIMETERS ROUNDED OFF TO THE NEAREST MILLIMETER, UNLESS OTHERWISE SPECIFIED AND ARE FOR REFERENCE ONLY.
 - THIS DRAWING TO BE INTERPRETED PER ASME Y14.5M-2009.
 - MATERIAL: BODY - TIN PLATED ALUMINUM
SCREW - CLEAR COATED ALUMINUM
INSULATION - PLASTISOL
CAPS - POLYETHYLENE
 - OPERATING TEMPERATURE - -40°C TO 135°C.
 - VOLTAGE RATING - 600 V.

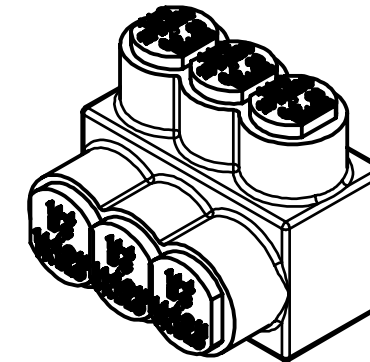
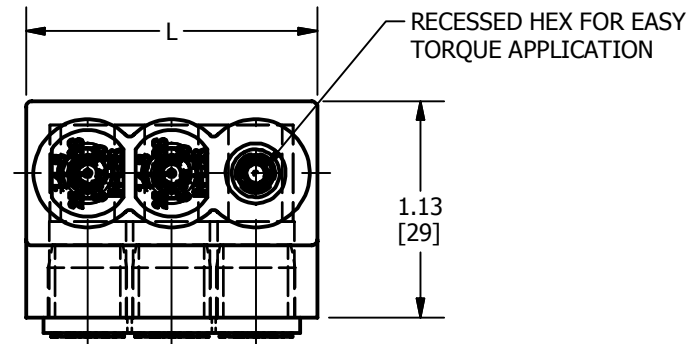
⁶ AMPERAGE RATING - SEE TABLE.

TO ORDER BURNDY® PRODUCTS CALL		FULLY INSULATED DISTRIBUTION BLOCKS-UNITAP™													
1-800-346-4175 (LONDONDERRY, NH)		ITEM NO: SEE TABLE													
CANADA: 1-800-361-6975 (QUEBEC) 1-800-387-6487 (ALL OTHER PROVINCES)		CAT. NO: SEE TABLE													
FOR PRODUCT INFO: http://www.burndy.com		<table border="1"> <tr> <td>DRAWN BY: T.REYNOLDS</td> <td>08/14/2014</td> </tr> <tr> <td>CHECKER: T.REYNOLDS</td> <td>08/27/2014</td> </tr> <tr> <td>DSN APRVL: T.REYNOLDS</td> <td>12/21/2015</td> </tr> <tr> <td>MFG APRVL: --</td> <td></td> </tr> <tr> <td>QA APRVL: C.KOWALCZYK</td> <td>12/21/2015</td> </tr> <tr> <td>MKT APRVL: M.BAILLY</td> <td>12/21/2015</td> </tr> </table>		DRAWN BY: T.REYNOLDS	08/14/2014	CHECKER: T.REYNOLDS	08/27/2014	DSN APRVL: T.REYNOLDS	12/21/2015	MFG APRVL: --		QA APRVL: C.KOWALCZYK	12/21/2015	MKT APRVL: M.BAILLY	12/21/2015
DRAWN BY: T.REYNOLDS	08/14/2014														
CHECKER: T.REYNOLDS	08/27/2014														
DSN APRVL: T.REYNOLDS	12/21/2015														
MFG APRVL: --															
QA APRVL: C.KOWALCZYK	12/21/2015														
MKT APRVL: M.BAILLY	12/21/2015														
<table border="1"> <tr> <td>PROJECT #:</td> <td>SIZE</td> </tr> <tr> <td>DOCUMENT TYPE: SALES</td> <td>50046931</td> </tr> <tr> <td>REL LEVEL: Released</td> <td>B</td> </tr> </table>		PROJECT #:	SIZE	DOCUMENT TYPE: SALES	50046931	REL LEVEL: Released	B	<table border="1"> <tr> <td>DRAWING NO</td> <td>REV</td> </tr> <tr> <td>50046931</td> <td>A</td> </tr> <tr> <td colspan="2">SHEET 3 OF 15</td> </tr> </table>		DRAWING NO	REV	50046931	A	SHEET 3 OF 15	
PROJECT #:	SIZE														
DOCUMENT TYPE: SALES	50046931														
REL LEVEL: Released	B														
DRAWING NO	REV														
50046931	A														
SHEET 3 OF 15															

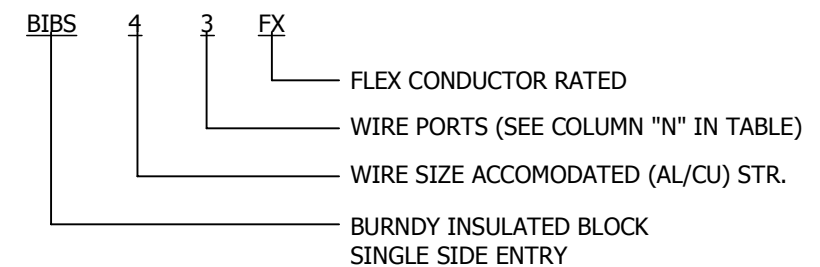
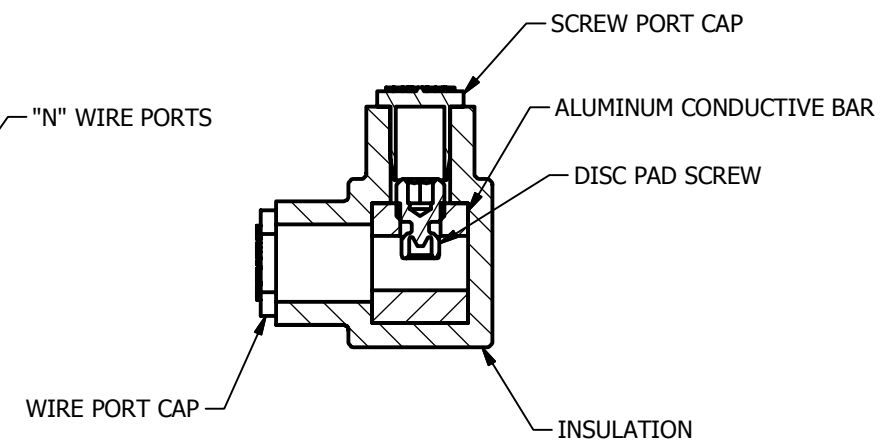
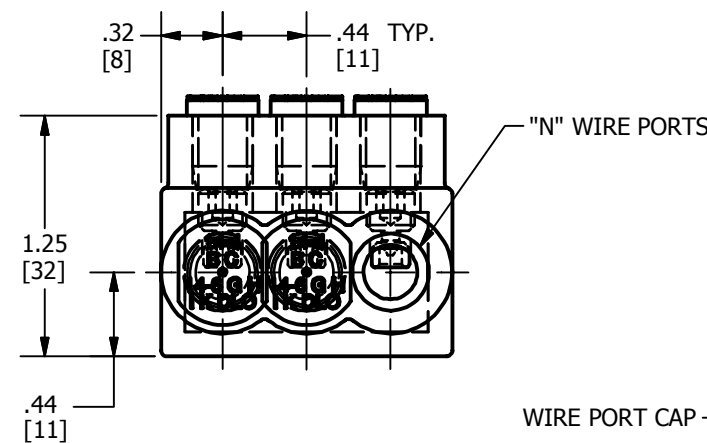
CATALOG NUMBER	ITEM NUMBER	L	N	COLOR CODE
BIBS43FX	50046815	1.268	3	BROWN
BIBS44FX	50046816	1.706	4	
BIBS45FX	50046817	2.144	5	
BIBS46FX	50046818	2.582	6	
BIBS48FX	50046819	3.458	8	

Wire Range	Torque, in-lbs	
#14 - #4 CLASS B,C	#14 - #8 AL	10
#14 - #6 CLASS G, H, I, K, DLO	#14 - #8 CU	25
	#6 - #4	30

REV	DATE	DESCRIPTION	ECO	BY	C'H'K.
A	12/08/2015	UPDATED TORQUE AND AMPERAGE RATING	42314	NG	RG



FEATURES	BENEFITS
PLASTISOL COVERED AL 6060-T6 BODY	SAVES TIME, LOWERS INSTALLATION COST, ELIMINATES TAPING
CLEAR PLASTISOL	ALLOWS VISUAL CONFIRMATION THAT CONDUCTOR IS PROPERLY INSERTED
OXIDE-INHIBITOR IS PREFILLED	INHIBITS MOISTURE AND CONTAMINATES FROM ENTERING THE CONTACT AREA
RANGE-TAKING IN BOTH CODE AND FLEX	REDUCES THE NUMBER OF CONNECTORS CARRIED IN INVENTORY
WIRE AND SCREW PORT COVERS	PROTECTS AGAINST CONTAMINATION AND ACCIDENTAL CONTACT OF ENERGIZED PARTS.
WIRE RANGE AND TORQUE REQUIREMENTS PRINTED ONTO THE CAPS	ALLOWS FOR EASY REFERENCE TO IMPORTANT INSTALLATION INFORMATION
UNIQUE DISC PAD SCREW	IMPROVES WIRE CONTACT AREA



NOTES:

- DIMENSIONS IN BRACKETS [] ARE IN MILLIMETERS ROUNDED OFF TO THE NEAREST MILLIMETER, UNLESS OTHERWISE SPECIFIED AND ARE FOR REFERENCE ONLY.
- THIS DRAWING TO BE INTERPRETED PER ASME Y14.5M-2009.
- MATERIAL: BODY - TIN PLATED ALUMINUM
SCREW - CLEAR COATED ALUMINUM
INSULATION - PLASTISOL
CAPS - POLYETHOLENE
- OPERATING TEMPERATURE - -40°C TO 135°C.
- VOLTAGE RATING - 600 V.
- AMPERAGE RATING - 85 A.

LISTED TO 486A-B, FILE E9498

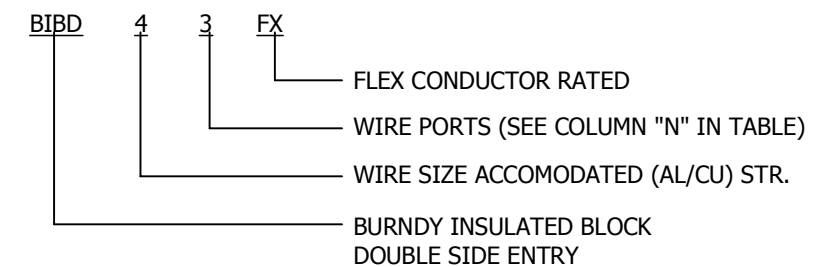
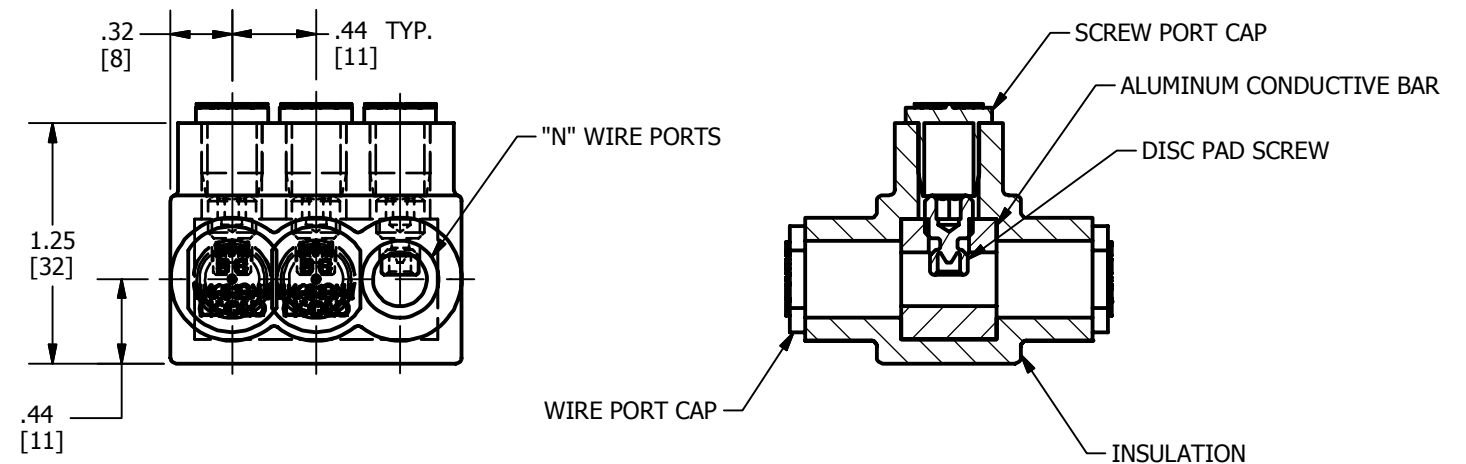
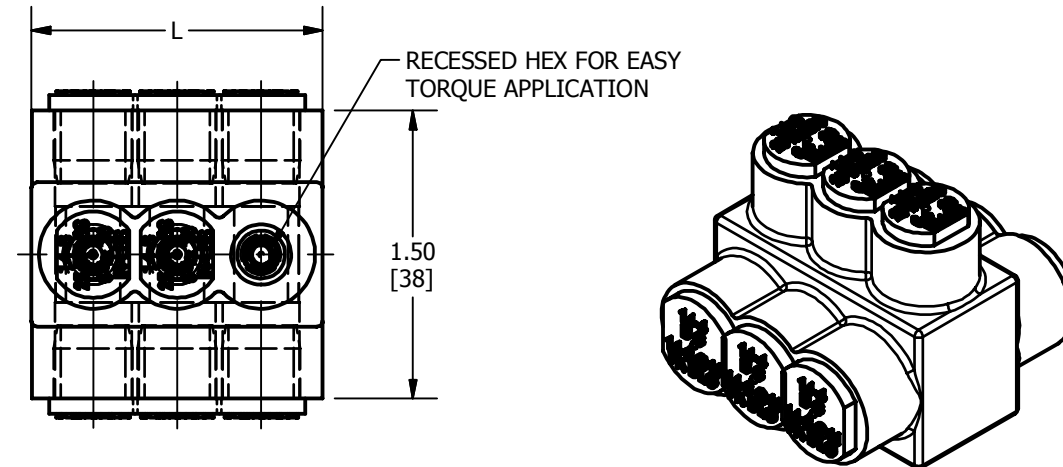
CERTIFIED TO C22.2, NO. 65, FILE 042860_C_000

TO ORDER BURNDY® PRODUCTS CALL		FULLY INSULATED DISTRIBUTION BLOCKS-UNITAP™	
UNITED STATES 1-800-346-4175 (LONDONDERRY, NH)		ITEM NO: SEE TABLE	
CANADA: 1-800-361-6975 (QUEBEC) 1-800-387-6487 (ALL OTHER PROVINCES)		CAT. NO: SEE TABLE	
FOR PRODUCT INFO: http://www.burndy.com		DRAWN BY: T.REYNOLDS 08/14/2014	
		CHECKER: T.REYNOLDS 08/27/2014	
		DSN APRVL: T.REYNOLDS 12/21/2015	
		MFG APRVL: --	
		QA APRVL: C.KOWALCZYK 12/21/2015	
		MKT APRVL: M.BAILLY 12/21/2015	
		PROJ #: --	
		SIZE: B	
		DRAWING NO: 50046931	
		REV: A	
		SHEET 4 OF 15	

CATALOG NUMBER	ITEM NUMBER	L	N	COLOR CODE
BIBD42FX	50046870	0.83	2	BROWN
BIBD43FX	50046871	1.268	3	
BIBD44FX	50046872	1.706	4	
BIBD45FX	50046873	2.144	5	
BIBD46FX	50046874	2.582	6	
BIBD48FX	50046875	3.458	8	

Wire Range	Torque, in-lbs	
#14 - #4 CLASS B,C	#14-#8 AL	10
#14 - #6 CLASS G, H, I, K, DLO	#14-#8 CU	25
	#6-#4	30

REV	DATE	DESCRIPTION	ECO	BY	C'H'K.
A	12/08/2015	UPDATED TORQUE AND AMPERAGE RATING	42314	NG	RG



FEATURES	BENEFITS
PLASTISOL COVERED AL 6060-T6 BODY	SAVES TIME, LOWERS INSTALLATION COST, ELIMINATES TAPING
CLEAR PLASTISOL	ALLOWS VISUAL CONFIRMATION THAT CONDUCTOR IS PROPERLY INSERTED
OXIDE-INHIBITOR IS PREFILLED	INHIBITS MOISTURE AND CONTAMINATES FROM ENTERING THE CONTACT AREA
RANGE-TAKING IN BOTH CODE AND FLEX	REDUCES THE NUMBER OF CONNECTORS CARRIED IN INVENTORY
WIRE AND SCREW PORT COVERS	PROTECTS AGAINST CONTAMINATION AND ACCIDENTAL CONTACT OF ENERGIZED PARTS.
WIRE RANGE AND TORQUE REQUIREMENTS PRINTED ONTO THE CAPS	ALLOWS FOR EASY REFERENCE TO IMPORTANT INSTALLATION INFORMATION
UNIQUE DISC PAD SCREW	IMPROVES WIRE CONTACT AREA

NOTES:

- DIMENSIONS IN BRACKETS [] ARE IN MILLIMETERS ROUNDED OFF TO THE NEAREST MILLIMETER, UNLESS OTHERWISE SPECIFIED AND ARE FOR REFERENCE ONLY.
- THIS DRAWING TO BE INTERPRETED PER ASME Y14.5M-2009.
- MATERIAL: BODY - TIN PLATED ALUMINUM
SCREW - CLEAR COATED ALUMINUM
INSULATION - PLASTISOL
CAPS - POLYETHOLENE
- OPERATING TEMPERATURE - -40°C TO 135°C.
- VOLTAGE RATING - 600 V.
- AMPERAGE RATING - 85 A.

LISTED TO 486A-B, FILE E9498

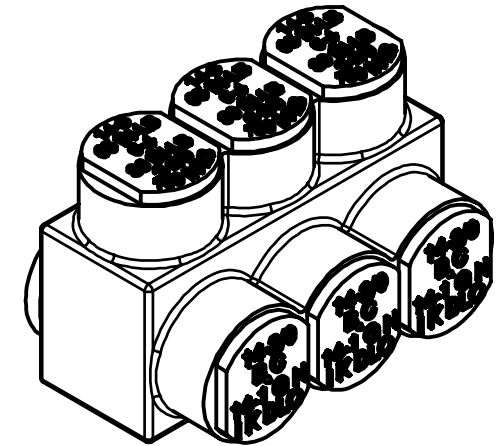
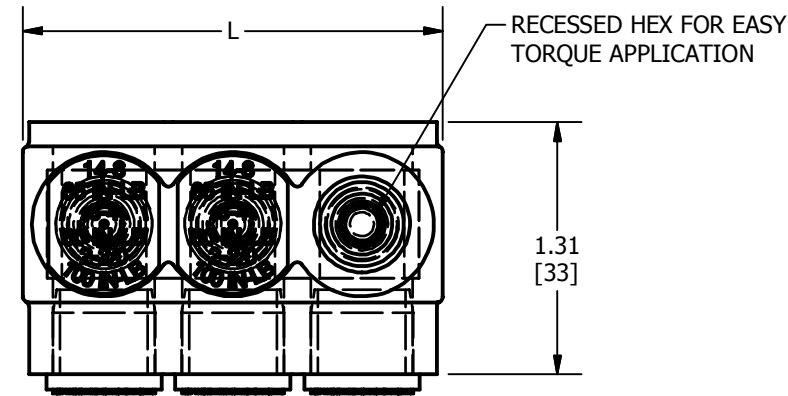
CERTIFIED TO C22.2, NO. 65, FILE 042860_C_000

TO ORDER BURNDY® PRODUCTS CALL		FULLY INSULATED DISTRIBUTION BLOCKS-UNITAP™													
UNITED STATES 1-800-346-4175 (LONDONDERRY, NH)		ITEM NO: SEE TABLE													
CANADA: 1-800-361-6975 (QUEBEC) 1-800-387-6487 (ALL OTHER PROVINCES)		CAT. NO: SEE TABLE													
FOR PRODUCT INFO: http://www.burndy.com		<table border="1"> <tr> <td>DRAWN BY: T.REYNOLDS</td> <td>08/14/2014</td> </tr> <tr> <td>CHECKER: T.REYNOLDS</td> <td>08/27/2014</td> </tr> <tr> <td>DSN APRVL: T.REYNOLDS</td> <td>12/21/2015</td> </tr> <tr> <td>MFG APRVL: --</td> <td></td> </tr> <tr> <td>QA APRVL: C. KOWALCZYK</td> <td>12/21/2015</td> </tr> <tr> <td>MKT APRVL: M.BAILLY</td> <td>12/21/2015</td> </tr> </table>		DRAWN BY: T.REYNOLDS	08/14/2014	CHECKER: T.REYNOLDS	08/27/2014	DSN APRVL: T.REYNOLDS	12/21/2015	MFG APRVL: --		QA APRVL: C. KOWALCZYK	12/21/2015	MKT APRVL: M.BAILLY	12/21/2015
DRAWN BY: T.REYNOLDS	08/14/2014														
CHECKER: T.REYNOLDS	08/27/2014														
DSN APRVL: T.REYNOLDS	12/21/2015														
MFG APRVL: --															
QA APRVL: C. KOWALCZYK	12/21/2015														
MKT APRVL: M.BAILLY	12/21/2015														
PROJ #: --		DRAWING NO													
DOCUMENT TYPE: SALES		50046931													
REL LEVEL: Released		SHEET 5 OF 15													
		REV													
		A													

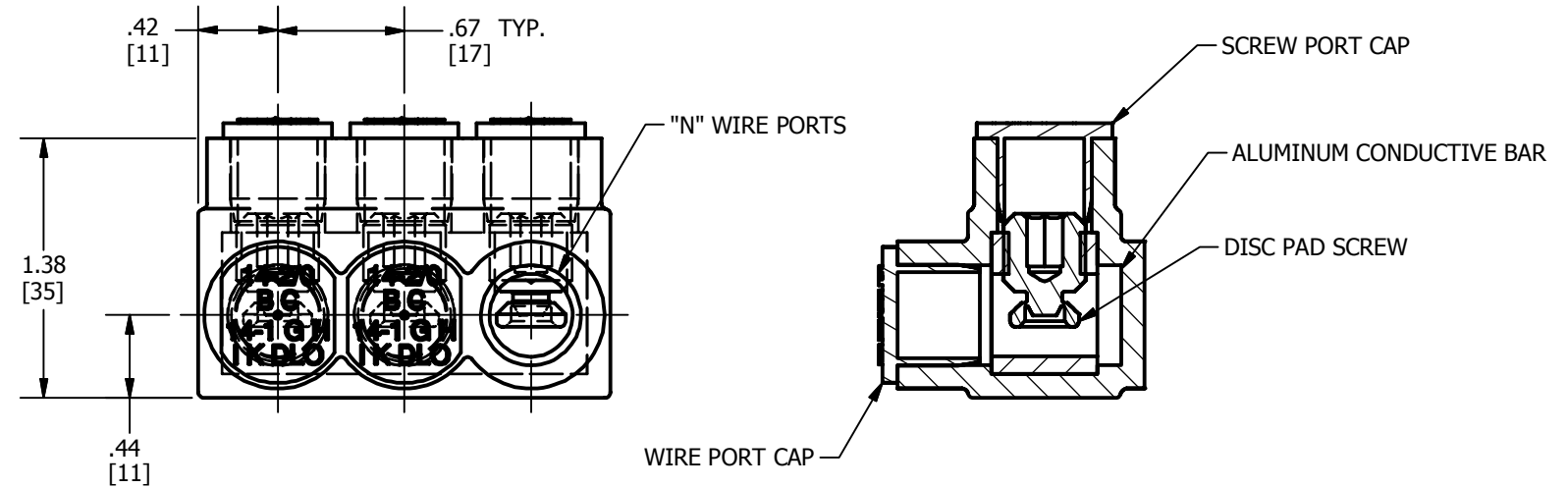
CATALOG NUMBER	ITEM NUMBER	L	N	COLOR CODE
BIBS2/03FX	50046822	1.938	3	BLACK
BIBS2/04FX	50046823	2.610	4	
BIBS2/05FX	50046824	3.282	5	
BIBS2/06FX	50046825	3.954	6	
BIBS2/08FX	50046826	5.298	8	
BIBS2/010FX	50046827	6.642	10	
BIBS2/012FX	50046828	7.986	12	
BIBS2/014FX	50046829	9.330	14	

Wire Range	Torque, in-lbs	
#14 - 2/0 CLASS B,C	#14-#6	80
#14 - #1 CLASS G, H, I, K, DLO	#4-2/0	100

REV	DATE	DESCRIPTION	ECO	BY	C'H.K.
A	12/08/2015	UPDATED TORQUE AND AMPERAGE RATING	42314	NG	RG

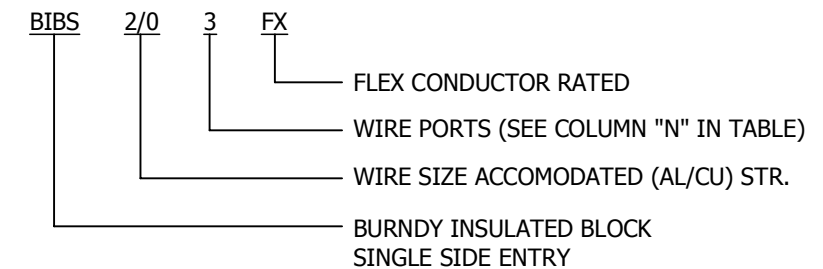


FEATURES	BENEFITS
PLASTISOL COVERED AL 6060-T6 BODY	SAVES TIME, LOWERS INSTALLATION COST, ELIMINATES TAPING
CLEAR PLASTISOL	ALLOWS VISUAL CONFIRMATION THAT CONDUCTOR IS PROPERLY INSERTED
OXIDE-INHIBITOR IS PREFILLED	INHIBITS MOISTURE AND CONTAMINATES FROM ENTERING THE CONTACT AREA
RANGE-TAKING IN BOTH CODE AND FLEX	REDUCES THE NUMBER OF CONNECTORS CARRIED IN INVENTORY
WIRE AND SCREW PORT COVERS	PROTECTS AGAINST CONTAMINATION AND ACCIDENTAL CONTACT OF ENERGIZED PARTS.
WIRE RANGE AND TORQUE REQUIREMENTS PRINTED ONTO THE CAPS	ALLOWS FOR EASY REFERENCE TO IMPORTANT INSTALLATION INFORMATION
UNIQUE DISC PAD SCREW	IMPROVES WIRE CONTACT AREA



LISTED TO 486A-B, FILE E9498

CERTIFIED TO C22.2, NO. 65, FILE 042860_C_000



NOTES:

- DIMENSIONS IN BRACKETS [] ARE IN MILLIMETERS ROUNDED OFF TO THE NEAREST MILLIMETER, UNLESS OTHERWISE SPECIFIED AND ARE FOR REFERENCE ONLY.
- THIS DRAWING TO BE INTERPRETED PER ASME Y14.5M-2009.
- MATERIAL: BODY - TIN PLATED ALUMINUM
SCREW - CLEAR COATED ALUMINUM
INSULATION - PLASTISOL
CAPS - POLYETHYLENE
- OPERATING TEMPERATURE - -40°C TO 135°C.
- VOLTAGE RATING - 600 V.
- AMPERAGE RATING - 175 A.

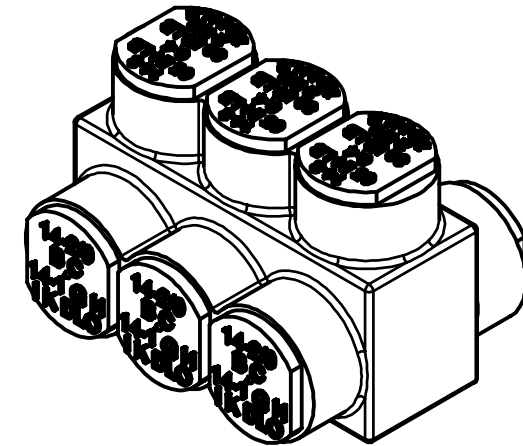
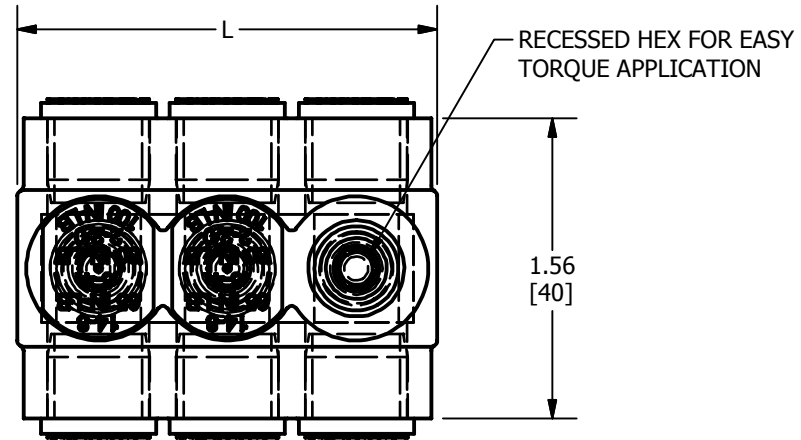
TO ORDER BURNDY® PRODUCTS CALL		FULLY INSULATED DISTRIBUTION BLOCKS-UNITAP™	
1-800-346-4175 (LONDONDERRY, NH)		ITEM NO: SEE TABLE	
CANADA: 1-800-361-6975 (QUEBEC) 1-800-387-6487 (ALL OTHER PROVINCES)		CAT. NO: SEE TABLE	
FOR PRODUCT INFO: http://www.burndy.com		DRAWN BY: T.REYNOLDS 08/14/2014	
		CHECKER: T.REYNOLDS 08/27/2014	
		DSN APRVL: T.REYNOLDS 12/21/2015	
		MFG APRVL: --	
		QA APRVL: C.KOWALCZYK 12/21/2015	
		MKT APRVL: M.BAILLY 12/21/2015	
		PROJ #:	
		SIZE	
		50046931	
		REL LEVEL: Released	
		B	
		SHEET 6 OF 15	
		DRAWING NO	
		REV	
		A	



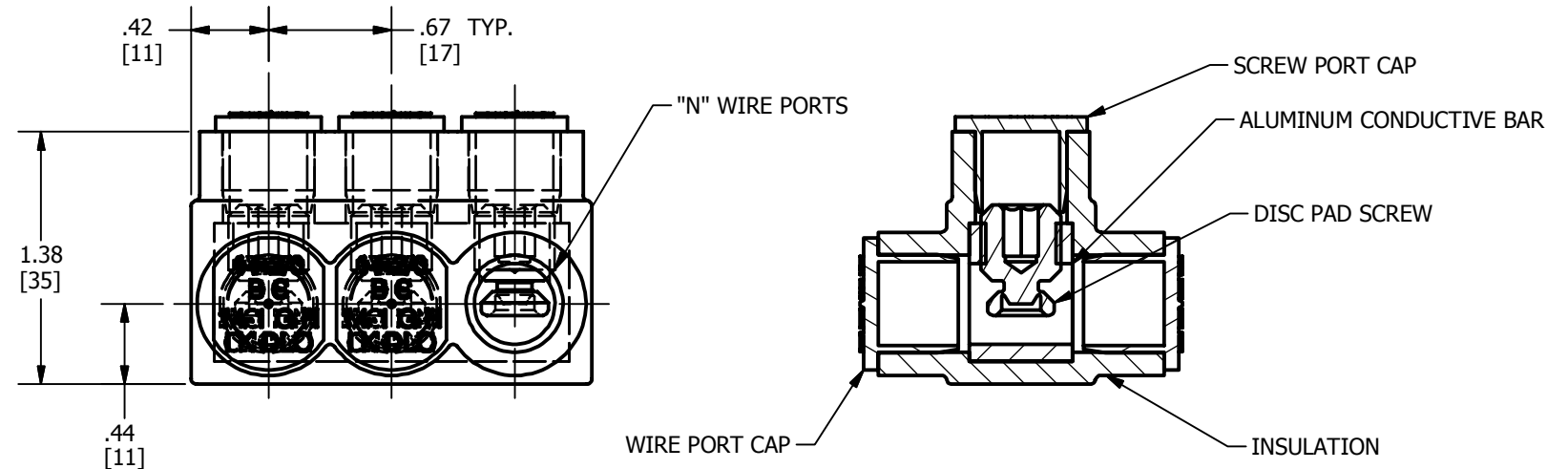
CATALOG NUMBER	ITEM NUMBER	L	N	COLOR CODE
BIBD2/02FX	50046877	1.266	2	BLACK
BIBD2/03FX	50046878	1.938	3	
BIBD2/04FX	50046879	2.610	4	
BIBD2/05FX	50046880	3.282	5	
BIBD2/06FX	50046881	3.954	6	
BIBD2/08FX	50046882	5.298	8	
BIBD2/010FX	50046883	6.642	10	
BIBD2/012FX	50046884	7.986	12	
BIBD2/014FX	50046885	9.330	14	

Wire Range	Torque, in-lbs	
#14 - 2/0 CLASS B,C	#14-#6	80
#14 - #1 CLASS G, H, I, K, DLO	#4-2/0	100

REV	DATE	DESCRIPTION	ECO	BY	C'H'K.
A	12/08/2015	UPDATED TORQUE AND AMPERAGE RATING	42314	NG	RG

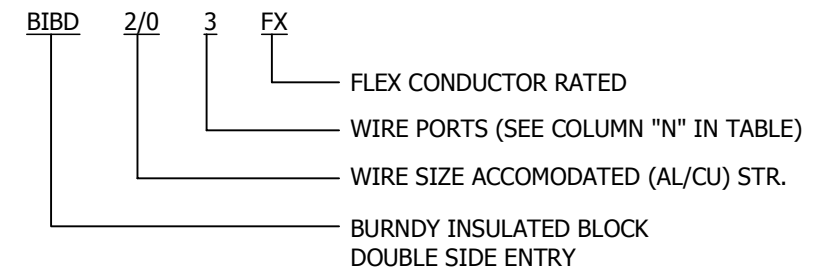


FEATURES	BENEFITS
PLASTISOL COVERED AL 6060-T6 BODY	SAVES TIME, LOWERS INSTALLATION COST, ELIMINATES TAPING
CLEAR PLASTISOL	ALLOWS VISUAL CONFIRMATION THAT CONDUCTOR IS PROPERLY INSERTED
OXIDE-INHIBITOR IS PREFILLED	INHIBITS MOISTURE AND CONTAMINATES FROM ENTERING THE CONTACT AREA
RANGE-TAKING IN BOTH CODE AND FLEX	REDUCES THE NUMBER OF CONNECTORS CARRIED IN INVENTORY
WIRE AND SCREW PORT COVERS	PROTECTS AGAINST CONTAMINATION AND ACCIDENTAL CONTACT OF ENERGIZED PARTS.
WIRE RANGE AND TORQUE REQUIREMENTS PRINTED ONTO THE CAPS	ALLOWS FOR EASY REFERENCE TO IMPORTANT INSTALLATION INFORMATION
UNIQUE DISC PAD SCREW	IMPROVES WIRE CONTACT AREA



UL LISTED TO 486A-B, FILE E9498

CS CERTIFIED TO C22.2, NO. 65, FILE 042860_C_000



NOTES:

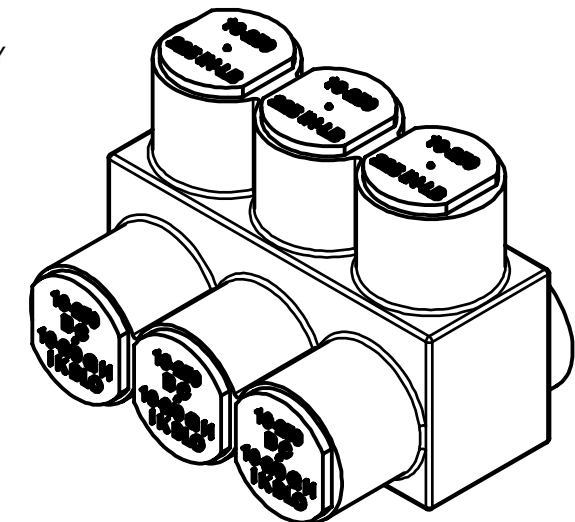
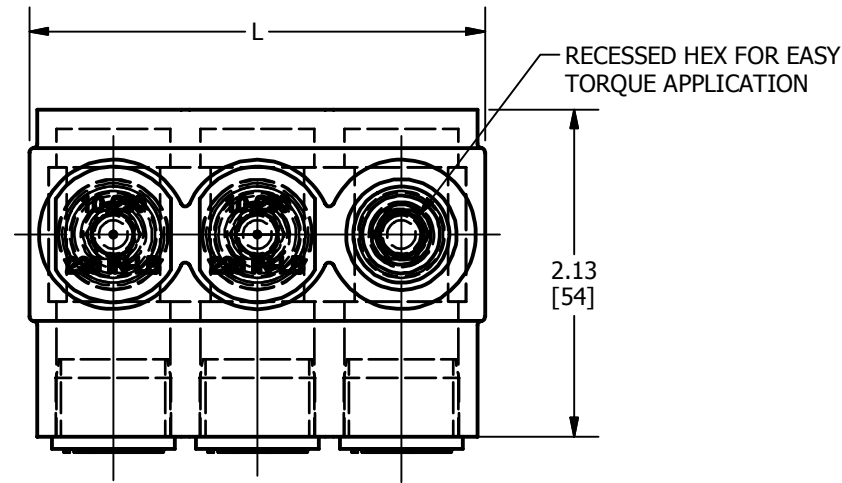
- DIMENSIONS IN BRACKETS [] ARE IN MILLIMETERS ROUNDED OFF TO THE NEAREST MILLIMETER, UNLESS OTHERWISE SPECIFIED AND ARE FOR REFERENCE ONLY.
- THIS DRAWING TO BE INTERPRETED PER ASME Y14.5M-2009.
- MATERIAL: BODY - TIN PLATED ALUMINUM
SCREW - CLEAR COATED ALUMINUM
INSULATION - PLASTISOL
CAPS - POLYETHOLENE
- OPERATING TEMPERATURE - -40°C TO 135°C.
- VOLTAGE RATING - 600 V.
- AMPERAGE RATING - 175 A.

TO ORDER BURNDY® PRODUCTS CALL		FULLY INSULATED DISTRIBUTION BLOCKS-UNITAP™	
1-800-346-4175 (LONDONDERRY, NH)		ITEM NO: SEE TABLE	
CANADA: 1-800-361-6975 (QUEBEC) 1-800-387-6487 (ALL OTHER PROVINCES)		CAT. NO: SEE TABLE	
FOR PRODUCT INFO: http://www.burndy.com		DRAWN BY: T.REYNOLDS 08/14/2014	
		CHECKER: T.REYNOLDS 08/27/2014	
		DSN APRVL: T.REYNOLDS 12/21/2015	
		MFG APRVL: --	
		QA APRVL: C. KOWALCZYK 12/21/2015	
		MKT APRVL: M.BAILLY 12/21/2015	
		PROJ #: --	
		SIZE: B	
		DRAWING NO: 50046931	
		REV: A	
		SHEET 7 OF 15	

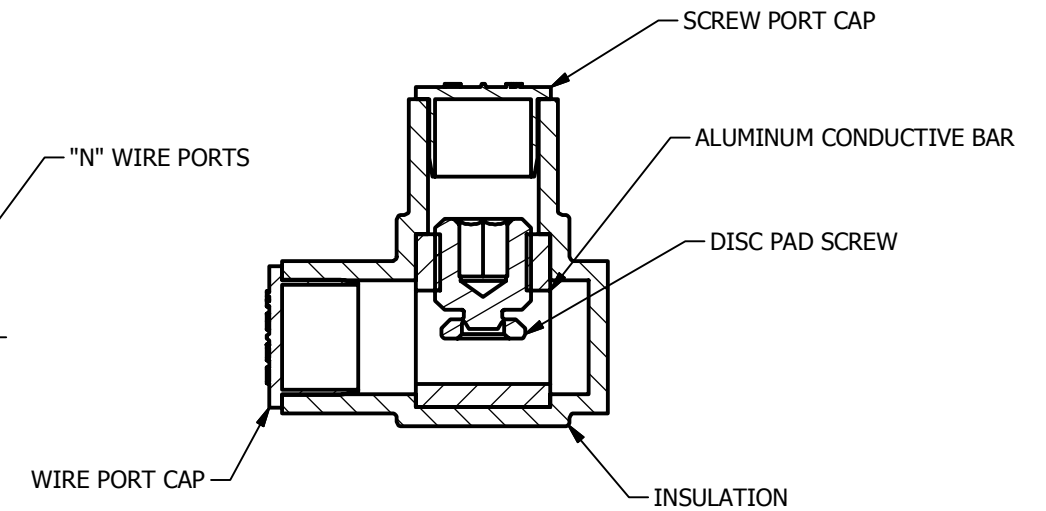
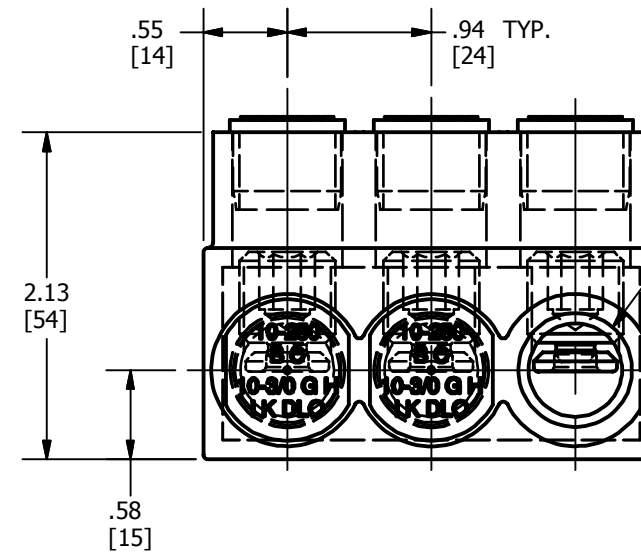
CATALOG NUMBER	ITEM NUMBER	L	N	COLOR CODE
BIBS2503FX	50046832	2.718	3	YELLOW
BIBS2504FX	50046833	3.656	4	
BIBS2505FX	50046834	4.594	5	
BIBS2506FX	50046835	5.532	6	
BIBS2508FX	50046836	7.408	8	
BIBS25010FX	50046837	9.284	10	
BIBS25012FX	50046838	11.160	12	
BIBS25014FX	50046839	13.036	14	

Wire Range	Torque, in-lbs	
#10 - 250 CLASS B, C	#10-#1	180
#10 - 3/0 CLASS G, H, I, K, DLO	1/0-250	300

REV	DATE	DESCRIPTION	ECO	BY	C'H'K.
A	12/08/2015	UPDATED TORQUE AND AMPERAGE RATING	42314	NG	RG

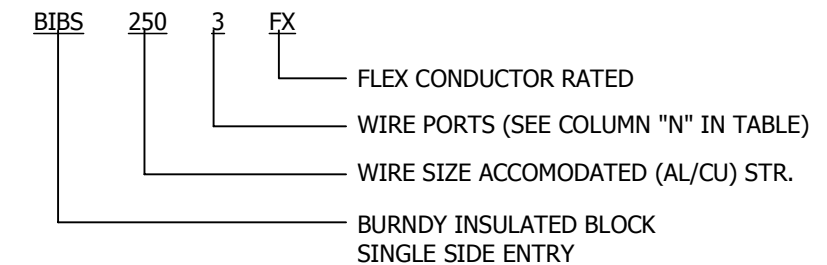


FEATURES	BENEFITS
PLASTISOL COVERED AL 6060-T6 BODY	SAVES TIME, LOWERS INSTALLATION COST, ELIMINATES TAPING
CLEAR PLASTISOL	ALLOWS VISUAL CONFIRMATION THAT CONDUCTOR IS PROPERLY INSERTED
OXIDE-INHIBITOR IS PREFILLED	INHIBITS MOISTURE AND CONTAMINATES FROM ENTERING THE CONTACT AREA
RANGE-TAKING IN BOTH CODE AND FLEX	REDUCES THE NUMBER OF CONNECTORS CARRIED IN INVENTORY
WIRE AND SCREW PORT COVERS	PROTECTS AGAINST CONTAMINATION AND ACCIDENTAL CONTACT OF ENERGIZED PARTS.
WIRE RANGE AND TORQUE REQUIREMENTS PRINTED ONTO THE CAPS	ALLOWS FOR EASY REFERENCE TO IMPORTANT INSTALLATION INFORMATION
UNIQUE DISC PAD SCREW	IMPROVES WIRE CONTACT AREA



LISTED TO 486A-B, FILE E9498

CERTIFIED TO C22.2, NO. 65, FILE 042860_C_000



NOTES:

- DIMENSIONS IN BRACKETS [] ARE IN MILLIMETERS ROUNDED OFF TO THE NEAREST MILLIMETER, UNLESS OTHERWISE SPECIFIED AND ARE FOR REFERENCE ONLY.
- THIS DRAWING TO BE INTERPRETED PER ASME Y14.5M-2009.
- MATERIAL: BODY - TIN PLATED ALUMINUM
SCREW - CLEAR COATED ALUMINUM
INSULATION - PLASTISOL
CAPS - POLYETHYLENE
- OPERATING TEMPERATURE - -40°C TO 135°C.
- VOLTAGE RATING - 600 V.
- AMPERAGE RATING - 255 A.

TO ORDER BURNDY® PRODUCTS CALL		FULLY INSULATED DISTRIBUTION BLOCKS-UNITAP™	
1-800-346-4175 (LONDONDERRY, NH)		ITEM NO: SEE TABLE	
CANADA: 1-800-361-6975 (QUEBEC) 1-800-387-6487 (ALL OTHER PROVINCES)		CAT. NO: SEE TABLE	
FOR PRODUCT INFO: http://www.burndy.com		DRAWN BY: T.REYNOLDS 08/14/2014	
		CHECKER: T.REYNOLDS 08/27/2014	
		DSN APRVL: T.REYNOLDS 12/21/2015	
		MFG APRVL: --	
		QA APRVL: C.KOWALCZYK 12/21/2015	
		MKT APRVL: M.BAILLY 12/21/2015	
		PROJ #:	
		SIZE	
		50046931	
		B	
		SHEET 8 OF 15	
		A	

CATALOG NUMBER	ITEM NUMBER	L	N	COLOR CODE
BIBD2502FX	50046887	1.780	2	YELLOW
BIBD2503FX	50046888	2.718	3	
BIBD2504FX	50046889	3.656	4	
BIBD2505FX	50046890	4.594	5	
BIBD2506FX	50046891	5.532	6	
BIBD2508FX	50046892	7.408	8	
BIBD25010FX	50046893	9.284	10	
BIBD25012FX	50046894	11.160	12	
BIBD25014FX	50046895	13.036	14	

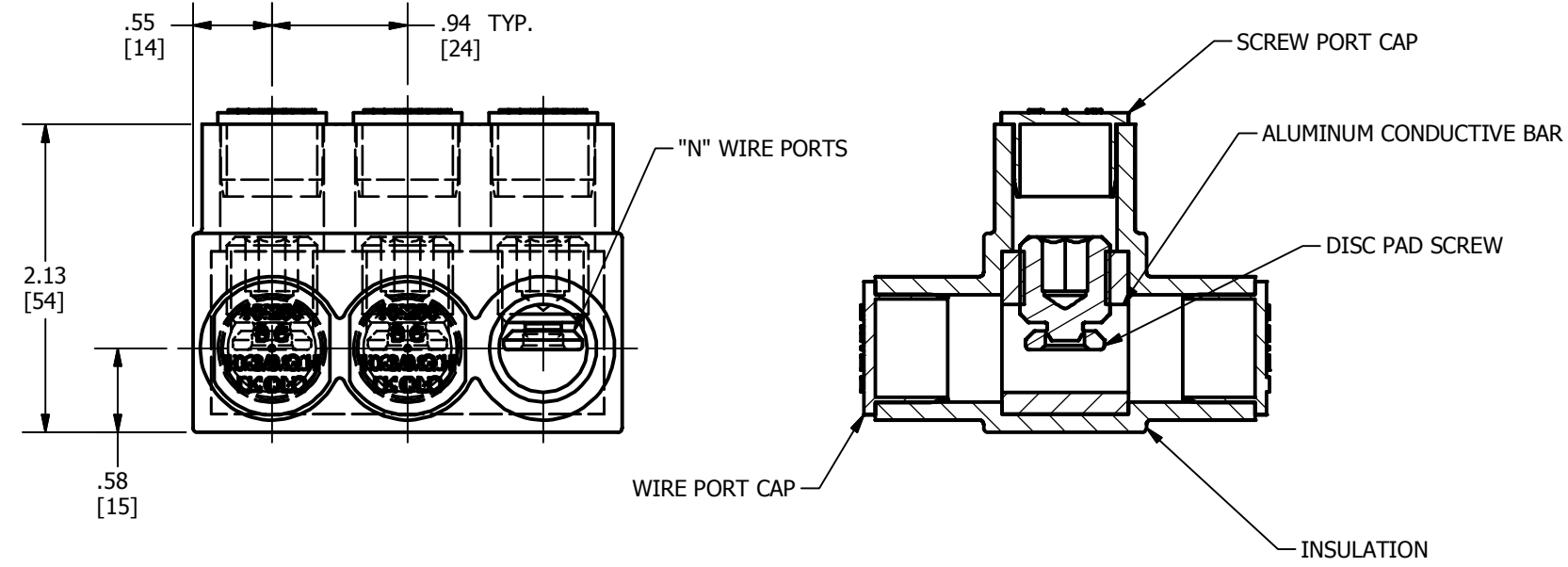
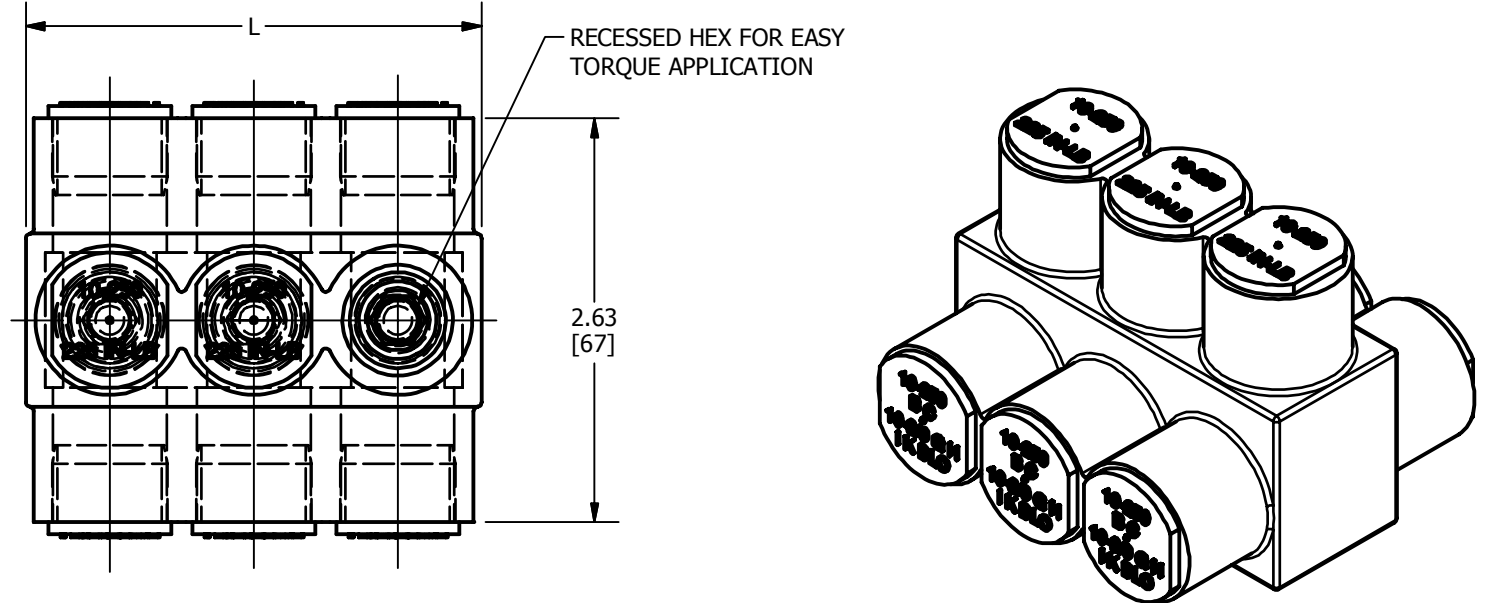
Wire Range	Torque, in-lbs	
#10 - 250 CLASS B,C	#10-#1	180
#10 - 3/0 CLASS G, H, I, K, DLO	1/0-250	300

FEATURES	BENEFITS
PLASTISOL COVERED AL 6060-T6 BODY	SAVES TIME, LOWERS INSTALLATION COST, ELIMINATES TAPING
CLEAR PLASTISOL	ALLOWS VISUAL CONFIRMATION THAT CONDUCTOR IS PROPERLY INSERTED
OXIDE-INHIBITOR IS PREFILLED	INHIBITS MOISTURE AND CONTAMINATES FROM ENTERING THE CONTACT AREA
RANGE-TAKING IN BOTH CODE AND FLEX	REDUCES THE NUMBER OF CONNECTORS CARRIED IN INVENTORY
WIRE AND SCREW PORT COVERS	PROTECTS AGAINST CONTAMINATION AND ACCIDENTAL CONTACT OF ENERGIZED PARTS.
WIRE RANGE AND TORQUE REQUIREMENTS PRINTED ONTO THE CAPS	ALLOWS FOR EASY REFERENCE TO IMPORTANT INSTALLATION INFORMATION
UNIQUE DISC PAD SCREW	IMPROVES WIRE CONTACT AREA

NOTES:

- DIMENSIONS IN BRACKETS [] ARE IN MILLIMETERS ROUNDED OFF TO THE NEAREST MILLIMETER, UNLESS OTHERWISE SPECIFIED AND ARE FOR REFERENCE ONLY.
- THIS DRAWING TO BE INTERPRETED PER ASME Y14.5M-2009.
- MATERIAL: BODY - TIN PLATED ALUMINUM
SCREW - CLEAR COATED ALUMINUM
INSULATION - PLASTISOL
CAPS - POLYETHYLENE
- OPERATING TEMPERATURE - -40°C TO 135°C.
- VOLTAGE RATING - 600 V.
- AMPERAGE RATING - 255 A.

REV	DATE	DESCRIPTION	ECO	BY	C'H'K.
A	12/08/2015	UPDATED TORQUE AND AMPERAGE RATING	42314	NG	RG



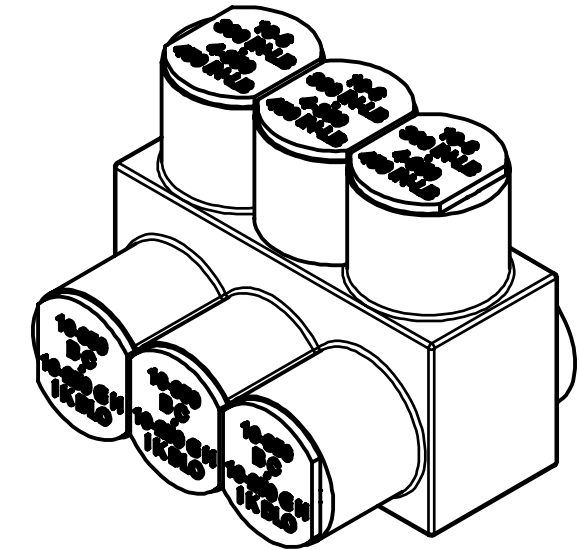
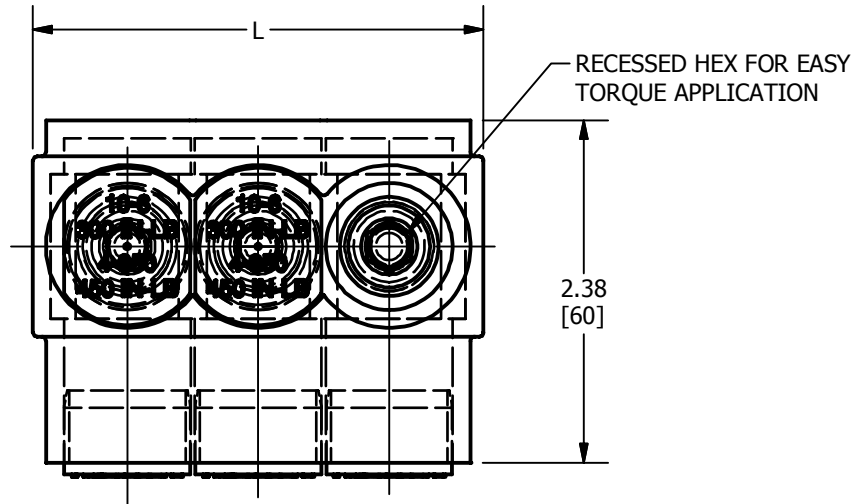
- LISTED TO 486A-B, FILE E9498
- CERTIFIED TO C22.2, NO. 65, FILE 042860_C_000

TO ORDER BURNDY® PRODUCTS CALL		FULLY INSULATED DISTRIBUTION BLOCKS-UNITAP™													
UNITED STATES 1-800-346-4175 (LONDONDERRY, NH)		ITEM NO: SEE TABLE													
CANADA: 1-800-361-6975 (QUEBEC) 1-800-387-6487 (ALL OTHER PROVINCES)		CAT. NO: SEE TABLE													
FOR PRODUCT INFO: http://www.burndy.com		<table border="1"> <tr> <td>DRAWN BY: T.REYNOLDS</td> <td>08/14/2014</td> </tr> <tr> <td>CHECKER: T.REYNOLDS</td> <td>08/27/2014</td> </tr> <tr> <td>DSN APRVL: T.REYNOLDS</td> <td>12/21/2015</td> </tr> <tr> <td>MFG APRVL: --</td> <td></td> </tr> <tr> <td>QA APRVL: C. KOWALCZYK</td> <td>12/21/2015</td> </tr> <tr> <td>MKT APRVL: M.BAILLY</td> <td>12/21/2015</td> </tr> </table>		DRAWN BY: T.REYNOLDS	08/14/2014	CHECKER: T.REYNOLDS	08/27/2014	DSN APRVL: T.REYNOLDS	12/21/2015	MFG APRVL: --		QA APRVL: C. KOWALCZYK	12/21/2015	MKT APRVL: M.BAILLY	12/21/2015
DRAWN BY: T.REYNOLDS	08/14/2014														
CHECKER: T.REYNOLDS	08/27/2014														
DSN APRVL: T.REYNOLDS	12/21/2015														
MFG APRVL: --															
QA APRVL: C. KOWALCZYK	12/21/2015														
MKT APRVL: M.BAILLY	12/21/2015														
		PROJ #:	50046931												
		SIZE:	B												
		REL LEVEL:	Released												
		DRAWING NO:	50046931												
		REV:	A												
		SHEET 9 OF 15													

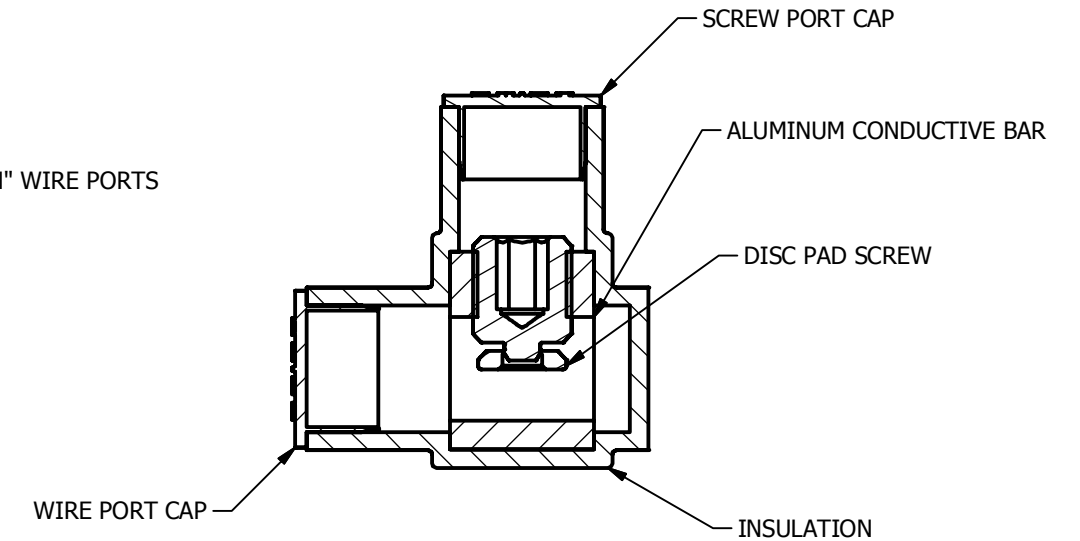
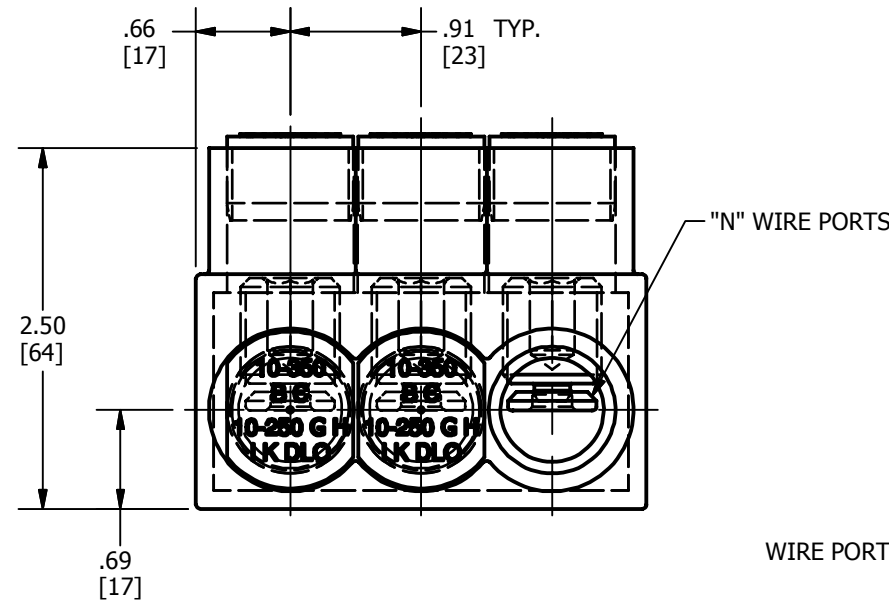
CATALOG NUMBER	ITEM NUMBER	L	N	COLOR CODE
BIBS3503FX	50046842	2.880	3	RED
BIBS3504FX	50046843	3.790	4	
BIBS3505FX	50046844	4.700	5	
BIBS3506FX	50046845	5.610	6	
BIBS3508FX	50046846	7.430	8	
BIBS35010FX	50046847	9.250	10	
BIBS35012FX	50046848	11.070	12	
BIBS35014FX	50046849	12.890	14	

Wire Range	Torque, in-lbs	
#10 - 350 CLASS B,C	#10-4/0	220
#10 - 250 CLASS G, H, I, K, DLO	250-300	450

REV	DATE	DESCRIPTION	ECO	BY	C'H'K.
A	12/08/2015	UPDATED TORQUE AND AMPERAGE RATING	42314	NG	RG



FEATURES	BENEFITS
PLASTISOL COVERED AL 6060-T6 BODY	SAVES TIME, LOWERS INSTALLATION COST, ELIMINATES TAPING
CLEAR PLASTISOL	ALLOWS VISUAL CONFIRMATION THAT CONDUCTOR IS PROPERLY INSERTED
OXIDE-INHIBITOR IS PREFILLED	INHIBITS MOISTURE AND CONTAMINATES FROM ENTERING THE CONTACT AREA
RANGE-TAKING IN BOTH CODE AND FLEX	REDUCES THE NUMBER OF CONNECTORS CARRIED IN INVENTORY
WIRE AND SCREW PORT COVERS	PROTECTS AGAINST CONTAMINATION AND ACCIDENTAL CONTACT OF ENERGIZED PARTS.
WIRE RANGE AND TORQUE REQUIREMENTS PRINTED ONTO THE CAPS	ALLOWS FOR EASY REFERENCE TO IMPORTANT INSTALLATION INFORMATION
UNIQUE DISC PAD SCREW	IMPROVES WIRE CONTACT AREA

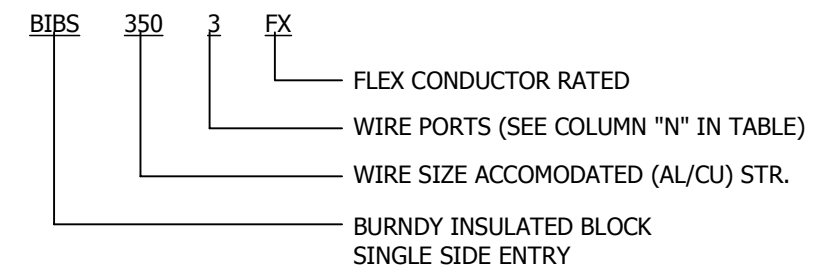


NOTES:

- DIMENSIONS IN BRACKETS [] ARE IN MILLIMETERS ROUNDED OFF TO THE NEAREST MILLIMETER, UNLESS OTHERWISE SPECIFIED AND ARE FOR REFERENCE ONLY.
- THIS DRAWING TO BE INTERPRETED PER ASME Y14.5M-2009.
- MATERIAL: BODY - TIN PLATED ALUMINUM
SCREW - CLEAR COATED ALUMINUM
INSULATION - PLASTISOL
CAPS - POLYETHYLENE
- OPERATING TEMPERATURE - -40°C TO 135°C.
- VOLTAGE RATING - 600 V.
- AMPERAGE RATING - 310 A.

LISTED TO 486A-B, FILE E9498

CERTIFIED TO C22.2, NO. 65, FILE 042860_C_000

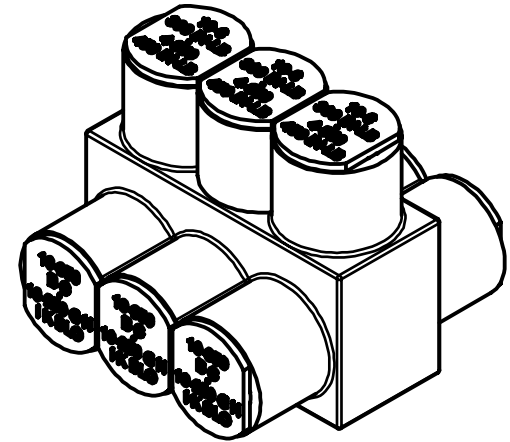
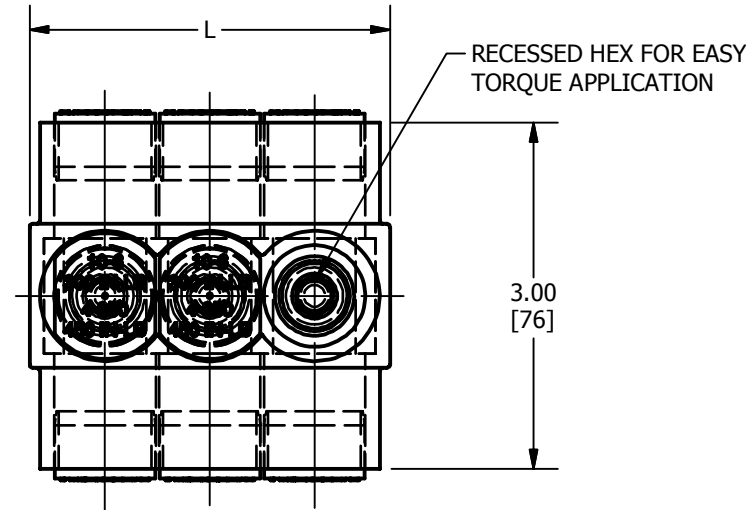


TO ORDER BURNDY® PRODUCTS CALL		FULLY INSULATED DISTRIBUTION BLOCKS-UNITAP™	
UNITED STATES 1-800-346-4175 (LONDONDERRY, NH)		ITEM NO: SEE TABLE	
CANADA: 1-800-361-6975 (QUEBEC) 1-800-387-6487 (ALL OTHER PROVINCES)		CAT. NO: SEE TABLE	
FOR PRODUCT INFO: http://www.burndy.com		DRAWN BY: T.REYNOLDS 08/14/2014	
		CHECKER: T.REYNOLDS 08/27/2014	
		DSN APRVL: T.REYNOLDS 12/21/2015	
		MFG APRVL: --	
		QA APRVL: C.KOWALCZYK 12/21/2015	
		MKT APRVL: M.BAILLY 12/21/2015	
		PROJ #:	
		SIZE	
		50046931	
		REL LEVEL: Released	
		SHEET 10 OF 15	
		DRAWING NO	
		REV	
		A	

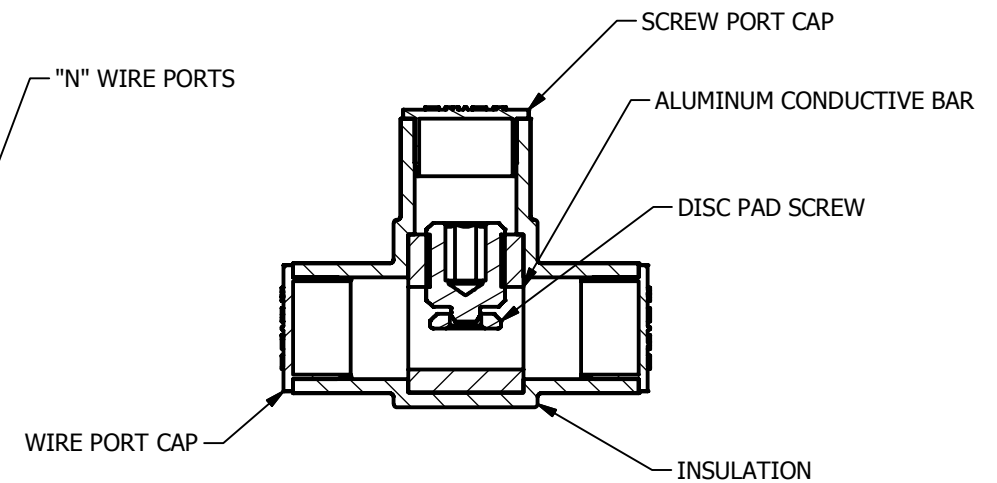
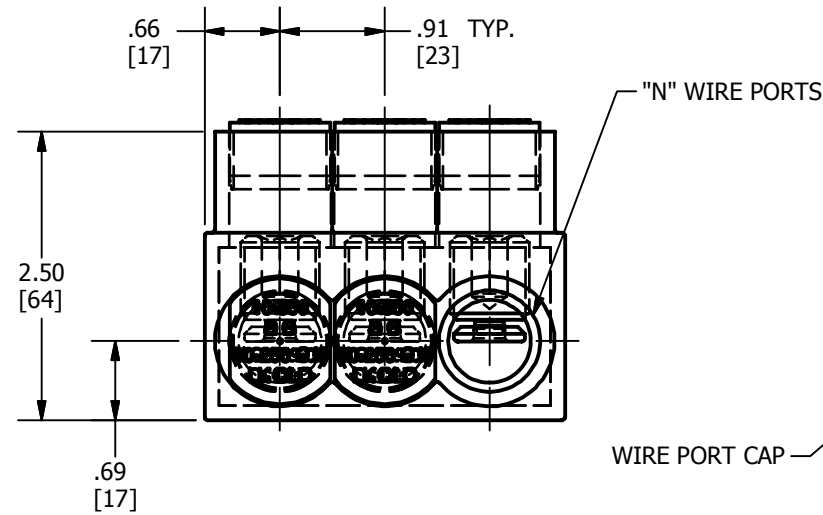
CATALOG NUMBER	ITEM NUMBER	L	N	COLOR CODE
BIBD3502FX	50046897	1.970	2	RED
BIBD3503FX	50046898	2.880	3	
BIBD3504FX	50046899	3.790	4	
BIBD3505FX	50046900	4.700	5	
BIBD3506FX	50046901	5.610	6	
BIBD3508FX	50046902	7.430	8	
BIBD35010FX	50046903	9.250	10	
BIBD35012FX	50046904	11.070	12	
BIBD35014FX	50046905	12.890	14	

Wire Range	Torque, in-lbs	
#10 - 350 CLASS B,C	#10-4/0	220
#10 - 250 CLASS G, H, I, K, DLO	250-300	450

REV	DATE	DESCRIPTION	ECO	BY	C'H'K.
A	12/08/2015	UPDATED TORQUE AND AMPERAGE RATING	42314	NG	RG

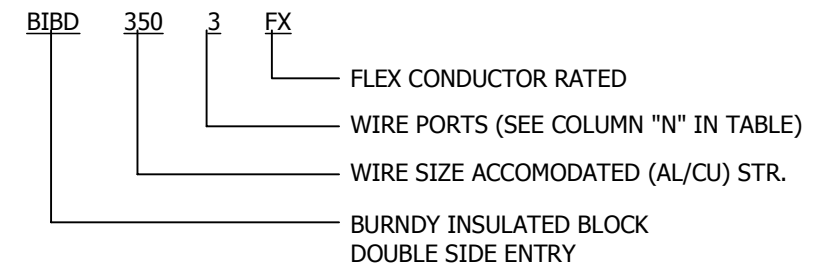


FEATURES	BENEFITS
PLASTISOL COVERED AL 6060-T6 BODY	SAVES TIME, LOWERS INSTALLATION COST, ELIMINATES TAPING
CLEAR PLASTISOL	ALLOWS VISUAL CONFIRMATION THAT CONDUCTOR IS PROPERLY INSERTED
OXIDE-INHIBITOR IS PREFILLED	INHIBITS MOISTURE AND CONTAMINATES FROM ENTERING THE CONTACT AREA
RANGE-TAKING IN BOTH CODE AND FLEX	REDUCES THE NUMBER OF CONNECTORS CARRIED IN INVENTORY
WIRE AND SCREW PORT COVERS	PROTECTS AGAINST CONTAMINATION AND ACCIDENTAL CONTACT OF ENERGIZED PARTS.
WIRE RANGE AND TORQUE REQUIREMENTS PRINTED ONTO THE CAPS	ALLOWS FOR EASY REFERENCE TO IMPORTANT INSTALLATION INFORMATION
UNIQUE DISC PAD SCREW	IMPROVES WIRE CONTACT AREA



UL LISTED TO 486A-B, FILE E9498

CS CERTIFIED TO C22.2, NO. 65, FILE 042860_C_000



NOTES:

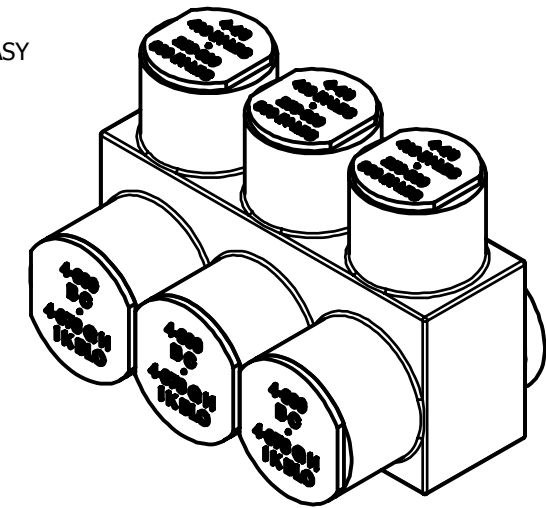
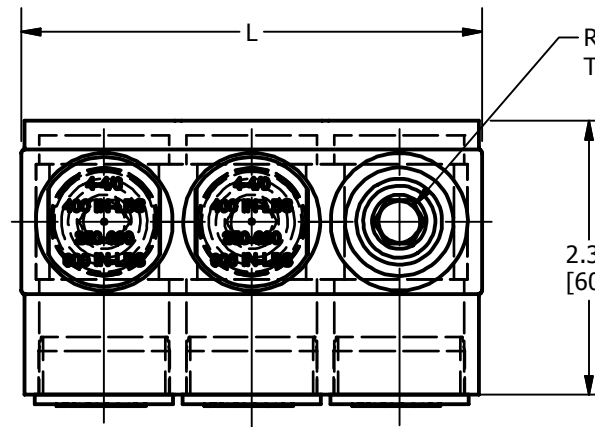
- DIMENSIONS IN BRACKETS [] ARE IN MILLIMETERS ROUNDED OFF TO THE NEAREST MILLIMETER, UNLESS OTHERWISE SPECIFIED AND ARE FOR REFERENCE ONLY.
- THIS DRAWING TO BE INTERPRETED PER ASME Y14.5M-2009.
- MATERIAL: BODY - TIN PLATED ALUMINUM
SCREW - CLEAR COATED ALUMINUM
INSULATION - PLASTISOL
CAPS - POLYETHOLENE
- OPERATING TEMPERATURE - -40°C TO 135°C.
- VOLTAGE RATING - 600 V.
- AMPERAGE RATING - 310 A.

TO ORDER BURNDY® PRODUCTS CALL		FULLY INSULATED DISTRIBUTION BLOCKS-UNITAP™	
UNITED STATES 1-800-346-4175 (LONDONDERRY, NH)		ITEM NO: SEE TABLE	
CANADA: 1-800-361-6975 (QUEBEC) 1-800-387-6487 (ALL OTHER PROVINCES)		CAT. NO: SEE TABLE	
FOR PRODUCT INFO: http://www.burndy.com		DRAWN BY: T.REYNOLDS 08/14/2014	
		CHECKER: T.REYNOLDS 08/27/2014	
		DSN APRVL: T.REYNOLDS 12/21/2015	
		MFG APRVL: --	
		QA APRVL: C. KOWALCZYK 12/21/2015	
		MKT APRVL: M.BAILLY 12/21/2015	
		PROJ #:	
		SIZE	
		50046931	
		B	
		SHEET 11 OF 15	
		REV	
		A	

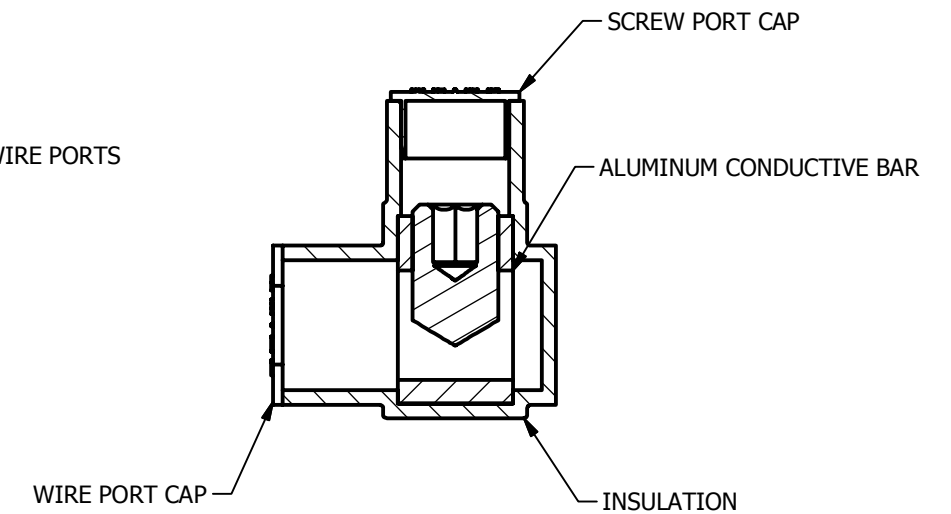
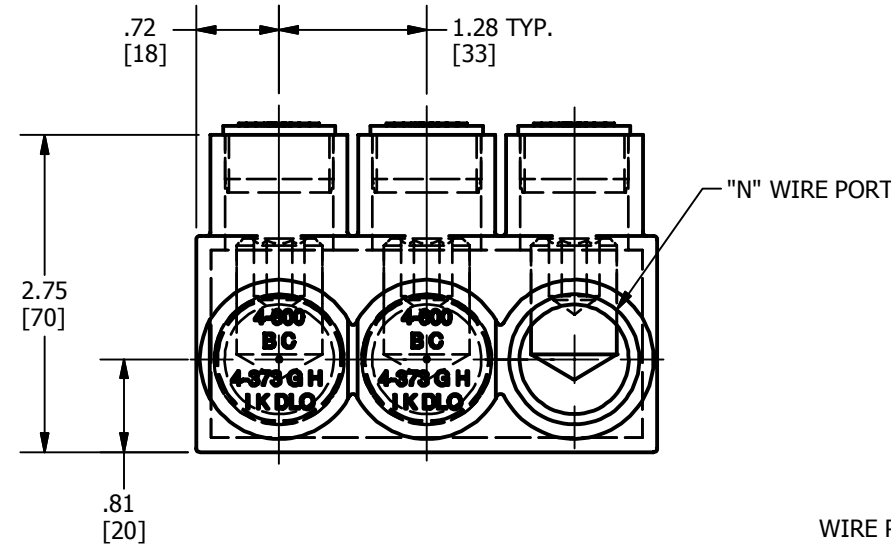
CATALOG NUMBER	ITEM NUMBER	L	N	COLOR CODE
BIBS6003FX	50046852	3.750	3	GREEN
BIBS6004FX	50046853	5.031	4	
BIBS6005FX	50046854	6.312	5	
BIBS6006FX	50046855	7.593	6	
BIBS6008FX	50046856	10.155	8	
BIBS60010FX	50046857	12.717	10	
BIBS60012FX	50046858	15.279	12	
BIBS60014FX	50046859	17.841	14	

Wire Range	Torque, in-lbs
#4 - 600 CLASS B, C #4 - 373 CLASS G, H, I, K, DLO	375

REV	DATE	DESCRIPTION	ECO	BY	C'H'K.
A	12/08/2015	UPDATED TORQUE AND AMPERAGE RATING	42314	NG	RG

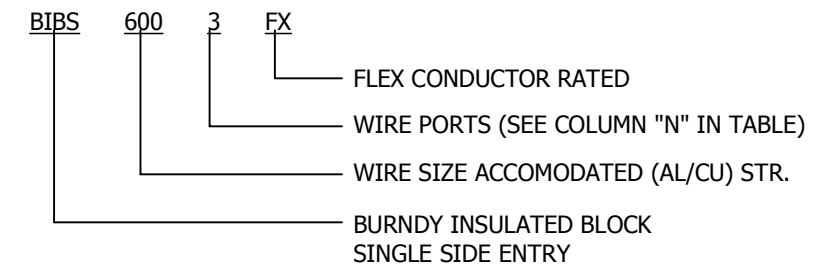


FEATURES	BENEFITS
PLASTISOL COVERED AL 6060-T6 BODY	SAVES TIME, LOWERS INSTALLATION COST, ELIMINATES TAPING
CLEAR PLASTISOL	ALLOWS VISUAL CONFIRMATION THAT CONDUCTOR IS PROPERLY INSERTED
OXIDE-INHIBITOR IS PREFILLED	INHIBITS MOISTURE AND CONTAMINATES FROM ENTERING THE CONTACT AREA
RANGE-TAKING IN BOTH CODE AND FLEX	REDUCES THE NUMBER OF CONNECTORS CARRIED IN INVENTORY
WIRE AND SCREW PORT COVERS	PROTECTS AGAINST CONTAMINATION AND ACCIDENTAL CONTACT OF ENERGIZED PARTS.
WIRE RANGE AND TORQUE REQUIREMENTS PRINTED ONTO THE CAPS	ALLOWS FOR EASY REFERENCE TO IMPORTANT INSTALLATION INFORMATION
UNIQUE DISC PAD SCREW	IMPROVES WIRE CONTACT AREA



LISTED TO 486A-B, FILE E9498

CERTIFIED TO C22.2, NO. 65, FILE 042860_C_000



NOTES:

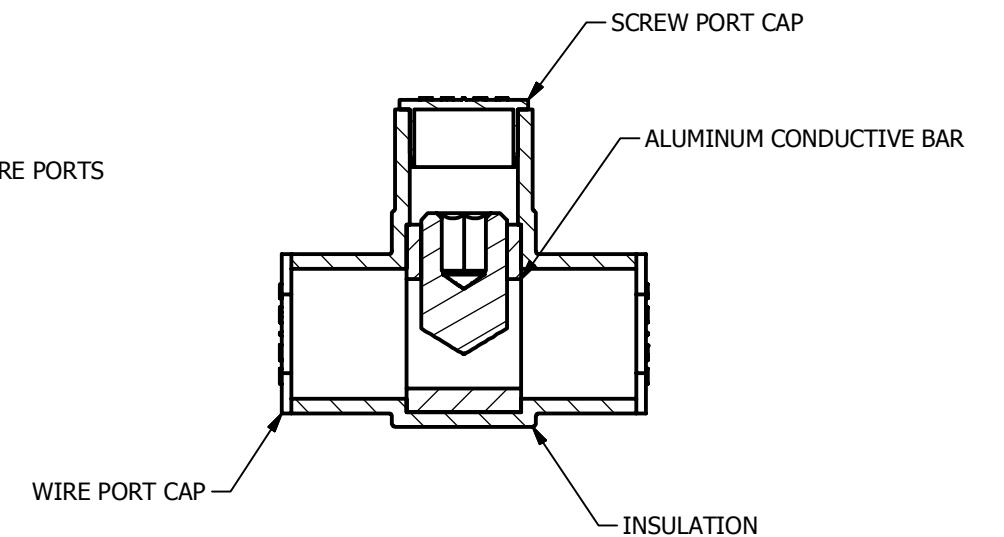
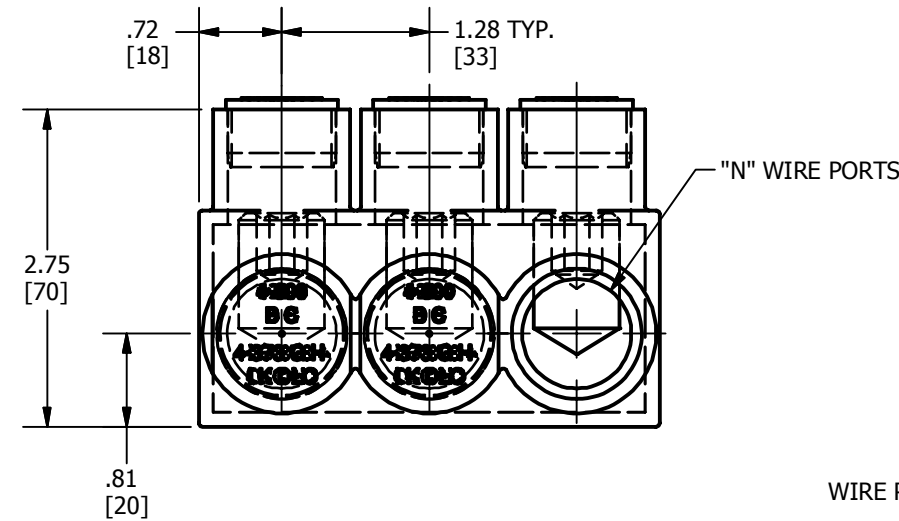
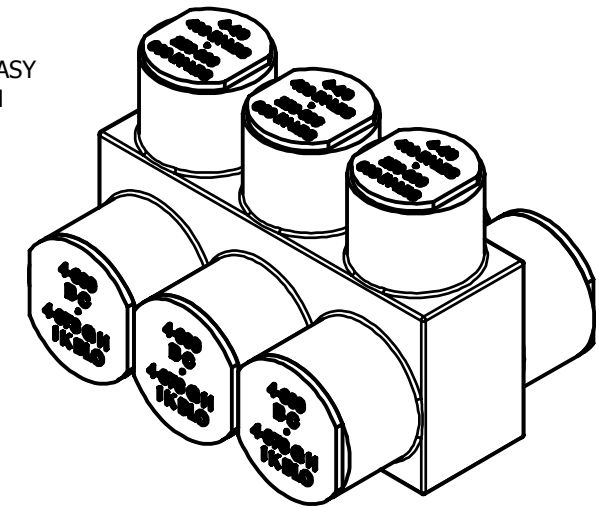
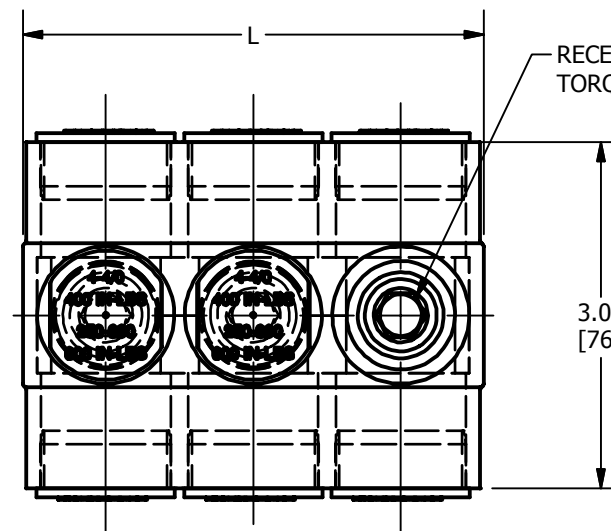
- DIMENSIONS IN BRACKETS [] ARE IN MILLIMETERS ROUNDED OFF TO THE NEAREST MILLIMETER, UNLESS OTHERWISE SPECIFIED AND ARE FOR REFERENCE ONLY.
- THIS DRAWING TO BE INTERPRETED PER ASME Y14.5M-2009.
- MATERIAL: BODY - TIN PLATED ALUMINUM
SCREW - CLEAR COATED ALUMINUM
INSULATION - PLASTISOL
CAPS - POLYETHOLENE
- OPERATING TEMPERATURE - -40°C TO 135°C.
- VOLTAGE RATING - 600 V.
- AMPERAGE RATING - 420 A.

TO ORDER BURNDY® PRODUCTS CALL		FULLY INSULATED DISTRIBUTION BLOCKS-UNITAP™	
1-800-346-4175 (LONDONDERRY, NH)		ITEM NO: SEE TABLE	
CANADA: 1-800-361-6975 (QUEBEC) 1-800-387-6487 (ALL OTHER PROVINCES)		CAT. NO: SEE TABLE	
FOR PRODUCT INFO: http://www.burndy.com		DRAWN BY: T.REYNOLDS 08/14/2014	
		CHECKER: T.REYNOLDS 08/27/2014	
		DSN APRVL: T.REYNOLDS 12/21/2015	
		MFG APRVL: --	
		QA APRVL: C.KOWALCZYK 12/21/2015	
		MKT APRVL: M.BAILLY 12/21/2015	
		PROJ #:	
		SIZE	
		50046931	
		SHEET 12 OF 15	
		REV	
		A	

CATALOG NUMBER	ITEM NUMBER	L	N	COLOR CODE
BIBD6002FX	50046907	2.469	2	GREEN
BIBD6003FX	50046908	3.750	3	
BIBD6004FX	50046909	5.031	4	
BIBD6005FX	50046910	6.312	5	
BIBD6006FX	50046911	7.593	6	
BIBD6008FX	50046912	10.155	8	
BIBD60010FX	50046913	12.717	10	
BIBD60012FX	50046914	15.279	12	
BIBD60014FX	50046915	17.841	14	

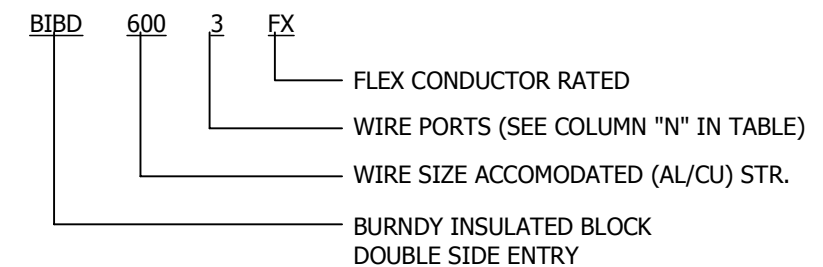
Wire Range	Torque, in-lbs
#4 - 600 CLASS B,C #4 - 373 CLASS G, H, I, K, DLO	375

REV	DATE	DESCRIPTION	ECO	BY	C'H'K.
A	12/08/2015	UPDATED TORQUE AND AMPERAGE RATING	42314	NG	RG



LISTED TO 486A-B, FILE E9498

CERTIFIED TO C22.2, NO. 65, FILE 042860_C_000



FEATURES	BENEFITS
PLASTISOL COVERED AL 6060-T6 BODY	SAVES TIME, LOWERS INSTALLATION COST, ELIMINATES TAPING
CLEAR PLASTISOL	ALLOWS VISUAL CONFIRMATION THAT CONDUCTOR IS PROPERLY INSERTED
OXIDE-INHIBITOR IS PREFILLED	INHIBITS MOISTURE AND CONTAMINATES FROM ENTERING THE CONTACT AREA
RANGE-TAKING IN BOTH CODE AND FLEX	REDUCES THE NUMBER OF CONNECTORS CARRIED IN INVENTORY
WIRE AND SCREW PORT COVERS	PROTECTS AGAINST CONTAMINATION AND ACCIDENTAL CONTACT OF ENERGIZED PARTS.
WIRE RANGE AND TORQUE REQUIREMENTS PRINTED ONTO THE CAPS	ALLOWS FOR EASY REFERENCE TO IMPORTANT INSTALLATION INFORMATION
UNIQUE DISC PAD SCREW	IMPROVES WIRE CONTACT AREA

NOTES:

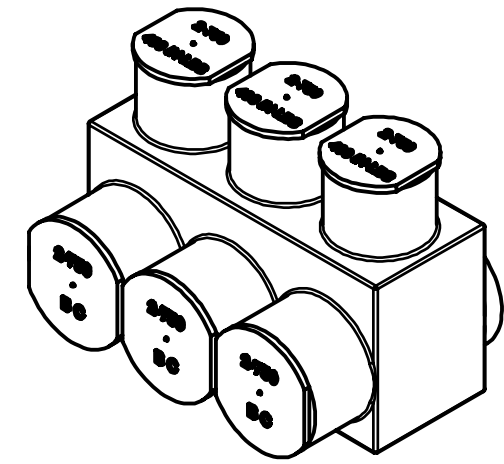
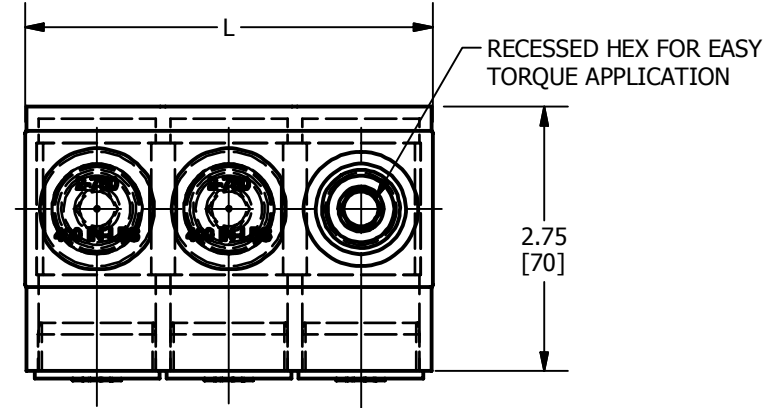
- DIMENSIONS IN BRACKETS [] ARE IN MILLIMETERS ROUNDED OFF TO THE NEAREST MILLIMETER, UNLESS OTHERWISE SPECIFIED AND ARE FOR REFERENCE ONLY.
- THIS DRAWING TO BE INTERPRETED PER ASME Y14.5M-2009.
- MATERIAL: BODY - TIN PLATED ALUMINUM
SCREW - CLEAR COATED ALUMINUM
INSULATION - PLASTISOL
CAPS - POLYETHOLENE
- OPERATING TEMPERATURE - -40°C TO 135°C.
- VOLTAGE RATING - 600 V.
- AMPERAGE RATING - 420 A.

TO ORDER BURNDY® PRODUCTS CALL		FULLY INSULATED DISTRIBUTION BLOCKS-UNITAP™	
1-800-346-4175 (LONDONDERRY, NH)		ITEM NO: SEE TABLE	
CANADA: 1-800-361-6975 (QUEBEC) 1-800-387-6487 (ALL OTHER PROVINCES)		CAT. NO: SEE TAABLE	
FOR PRODUCT INFO: http://www.burndy.com		DRAWN BY: T.REYNOLDS 08/14/2014	
		CHECKER: T.REYNOLDS 08/27/2014	
		DSN APRVL: T.REYNOLDS 12/21/2015	
		MFG APRVL: --	
		QA APRVL: C.KOWALCZYK 12/21/2015	
		MKT APRVL: M.BAILLY 12/21/2015	
		PROD FAM: --	
		DRAWING NO	
		50046931	
		REV	
		A	
		SHEET 13 OF 15	

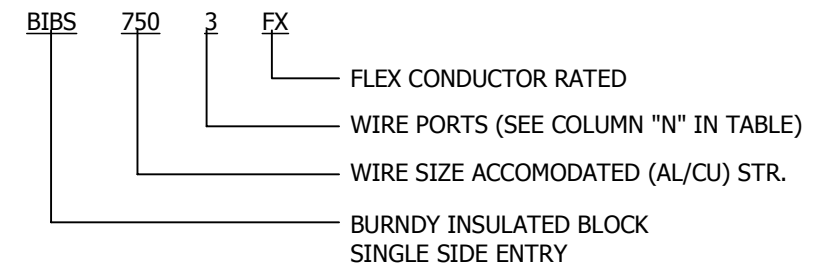
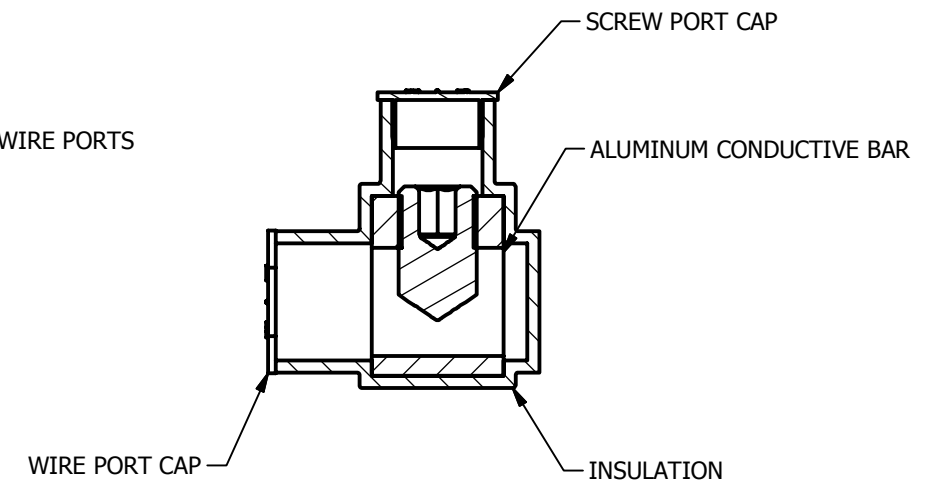
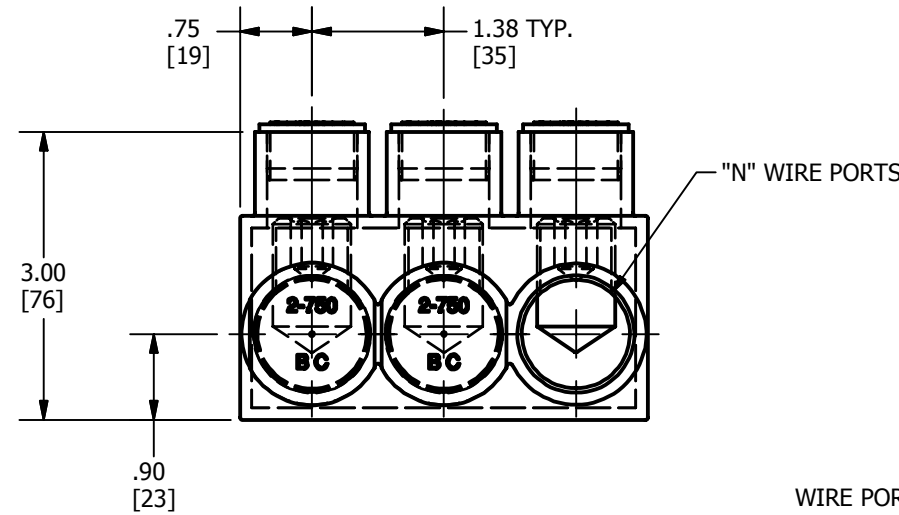
CATALOG NUMBER	ITEM NUMBER	L	N	COLOR CODE
BIBS7503FX	50046862	4.000	3	BLACK
BIBS7504FX	50046863	5.375	4	
BIBS7506FX	50046864	8.125	6	
BIBS7508FX	50046865	10.875	8	
BIBS75010FX	50046866	13.625	10	
BIBS75012FX	50046867	16.375	12	
BIBS75014FX	50046868	19.125	14	

Wire Range	Torque, in-lbs
#2 - 750 CLASS B,C #2 - 535 CLASS G, H, I, K, DLO	375

REV	DATE	DESCRIPTION	ECO	BY	C'H.K.
A	12/08/2015	UPDATED TORQUE AND AMPERAGE RATING	42314	NG	RG



FEATURES	BENEFITS
PLASTISOL COVERED AL 6060-T6 BODY	SAVES TIME, LOWERS INSTALLATION COST, ELIMINATES TAPING
CLEAR PLASTISOL	ALLOWS VISUAL CONFIRMATION THAT CONDUCTOR IS PROPERLY INSERTED
OXIDE-INHIBITOR IS PREFILLED	INHIBITS MOISTURE AND CONTAMINATES FROM ENTERING THE CONTACT AREA
RANGE-TAKING IN BOTH CODE AND FLEX	REDUCES THE NUMBER OF CONNECTORS CARRIED IN INVENTORY
WIRE AND SCREW PORT COVERS	PROTECTS AGAINST CONTAMINATION AND ACCIDENTAL CONTACT OF ENERGIZED PARTS.
WIRE RANGE AND TORQUE REQUIREMENTS PRINTED ONTO THE CAPS	ALLOWS FOR EASY REFERENCE TO IMPORTANT INSTALLATION INFORMATION
UNIQUE DISC PAD SCREW	IMPROVES WIRE CONTACT AREA



NOTES:

- DIMENSIONS IN BRACKETS [] ARE IN MILLIMETERS ROUNDED OFF TO THE NEAREST MILLIMETER, UNLESS OTHERWISE SPECIFIED AND ARE FOR REFERENCE ONLY.
- THIS DRAWING TO BE INTERPRETED PER ASME Y14.5M-2009.
- MATERIAL: BODY - TIN PLATED ALUMINUM
SCREW - CLEAR COATED ALUMINUM
INSULATION - PLASTISOL
CAPS - POLYETHOLENE
- OPERATING TEMPERATURE - -40°C TO 135°C.
- VOLTAGE RATING - 600 V.
- AMPERAGE RATING - 475 A.

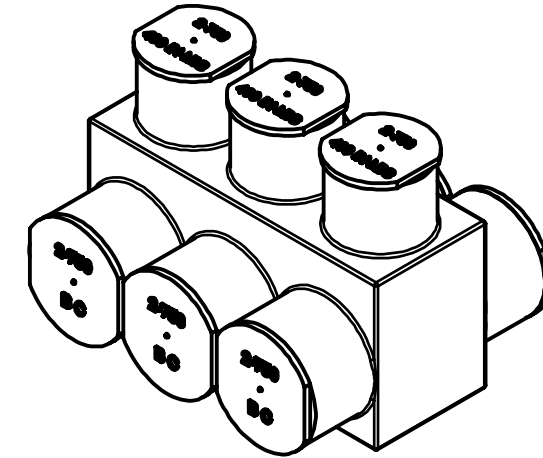
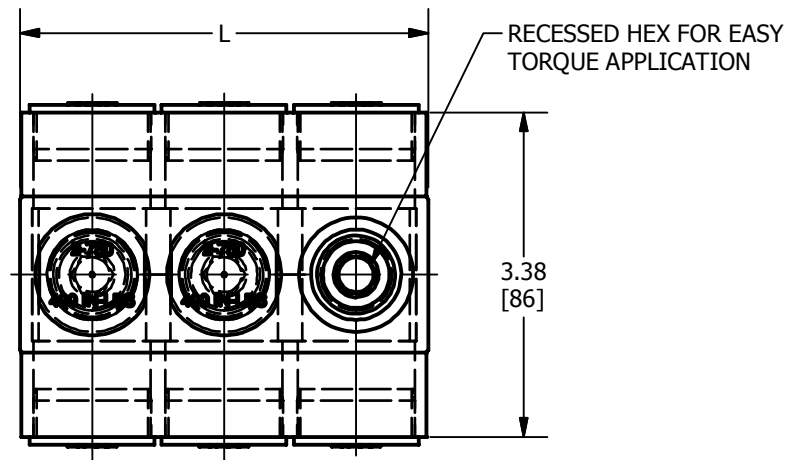
TO ORDER BURNDY® PRODUCTS CALL		FULLY INSULATED DISTRIBUTION BLOCKS-UNITAP™	
1-800-346-4175 (LONDONDERRY, NH)		ITEM NO: SEE TABLE	
CANADA: 1-800-361-6975 (QUEBEC) 1-800-387-6487 (ALL OTHER PROVINCES)		CAT. NO: SEE TABLE	
FOR PRODUCT INFO: http://www.burndy.com		DRAWN BY: T.REYNOLDS 08/14/2014	
		CHECKER: T.REYNOLDS 08/27/2014	
		DSN APRVL: T.REYNOLDS 12/21/2015	
		MFG APRVL: --	
		QA APRVL: C.KOWALCZYK 12/21/2015	
		MKT APRVL: M.BAILLY 12/21/2015	
		PROJ #:	
		SIZE	
		50046931	
		REL LEVEL: Released	
		SHEET 14 OF 15	
		DRAWING NO	
		REV	
		A	



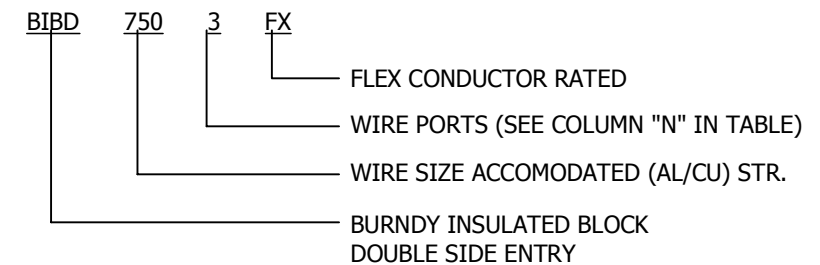
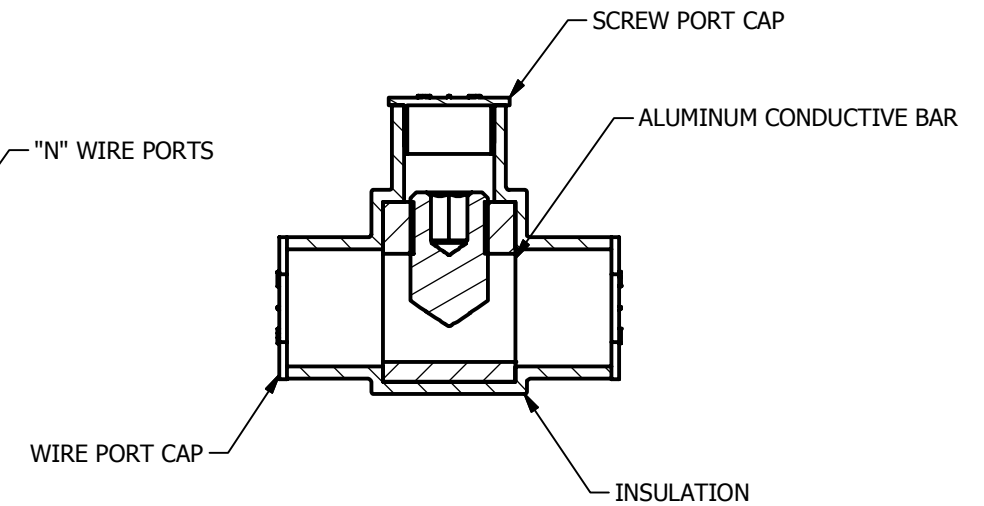
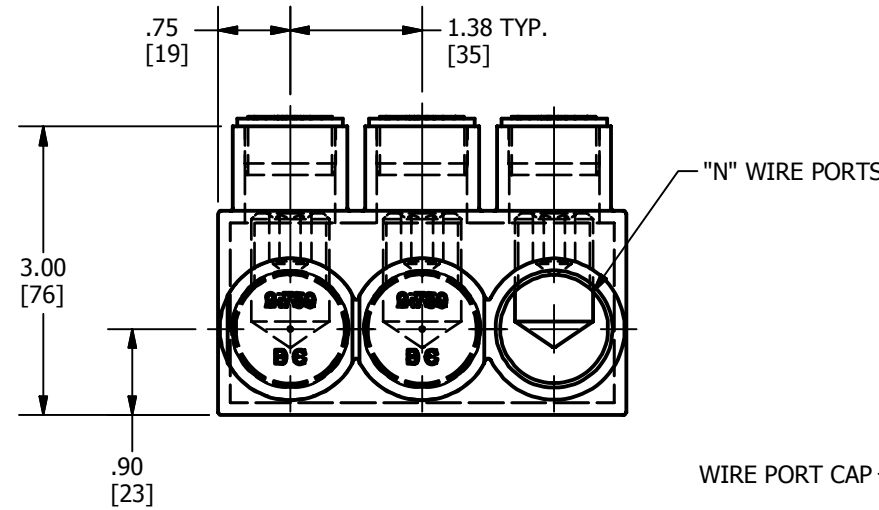
CATALOG NUMBER	ITEM NUMBER	L	N	COLOR CODE
BIBD7502FX	50046917	2.625	2	BLACK
BIBD7503FX	50046918	4.000	3	
BIBD7504FX	50046919	5.375	4	
BIBD7506FX	50046920	8.125	6	
BIBD7508FX	50046921	10.875	8	
BIBD75010FX	50046922	13.625	10	
BIBD75012FX	50046923	16.375	12	
BIBD75014FX	50046924	19.125	14	

Wire Range	Torque, in-lbs
#2 - 750 CLASS B,C #2 - 535 CLASS G, H, I, K, DLO	375

REV	DATE	DESCRIPTION	ECO	BY	C'H'K.
A	12/08/2015	UPDATED TORQUE AND AMPERAGE RATING	42314	NG	RG



FEATURES	BENEFITS
PLASTISOL COVERED AL 6060-T6 BODY	SAVES TIME, LOWERS INSTALLATION COST, ELIMINATES TAPING
CLEAR PLASTISOL	ALLOWS VISUAL CONFIRMATION THAT CONDUCTOR IS PROPERLY INSERTED
OXIDE-INHIBITOR IS PREFILLED	INHIBITS MOISTURE AND CONTAMINATES FROM ENTERING THE CONTACT AREA
RANGE-TAKING IN BOTH CODE AND FLEX	REDUCES THE NUMBER OF CONNECTORS CARRIED IN INVENTORY
WIRE AND SCREW PORT COVERS	PROTECTS AGAINST CONTAMINATION AND ACCIDENTAL CONTACT OF ENERGIZED PARTS.
WIRE RANGE AND TORQUE REQUIREMENTS PRINTED ONTO THE CAPS	ALLOWS FOR EASY REFERENCE TO IMPORTANT INSTALLATION INFORMATION
UNIQUE DISC PAD SCREW	IMPROVES WIRE CONTACT AREA



NOTES:

- DIMENSIONS IN BRACKETS [] ARE IN MILLIMETERS ROUNDED OFF TO THE NEAREST MILLIMETER, UNLESS OTHERWISE SPECIFIED AND ARE FOR REFERENCE ONLY.
- THIS DRAWING TO BE INTERPRETED PER ASME Y14.5M-2009.
- MATERIAL: BODY - TIN PLATED ALUMINUM
SCREW - CLEAR COATED ALUMINUM
INSULATION - PLASTISOL
CAPS - POLYETHOLENE
- OPERATING TEMPERATURE - -40°C TO 135°C.
- VOLTAGE RATING - 600 V.
- AMPERAGE RATING - 475 A.

TO ORDER BURNDY® PRODUCTS CALL UNITED STATES 1-800-346-4175 (LONDONDERRY, NH) CANADA: 1-800-361-6975 (QUEBEC) 1-800-387-6487 (ALL OTHER PROVINCES) FOR PRODUCT INFO: http://www.burndy.com	FULLY INSULATED DISTRIBUTION BLOCKS-UNITAP™ ITEM NO: SEE TABLE CAT. NO: SEE TABLE	
	DRAWN BY: T.REYNOLDS 08/14/2014 CHECKER: T.REYNOLDS 08/27/2014 DSN APRVL: T.REYNOLDS 12/21/2015 MFG APRVL: -- QA APRVL: C. KOWALCZYK 12/21/2015 MKT APRVL: M.BAILLY 12/21/2015	
PROD FAM: -- PROJECT #: -- DOCUMENT TYPE: SALES REL LEVEL: Released	DRAWING NO SIZE 50046931 B	REV A SHEET 15 OF 15