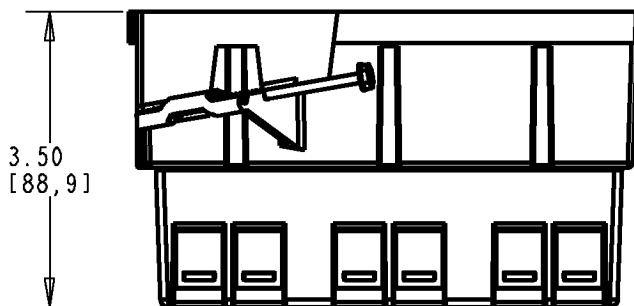
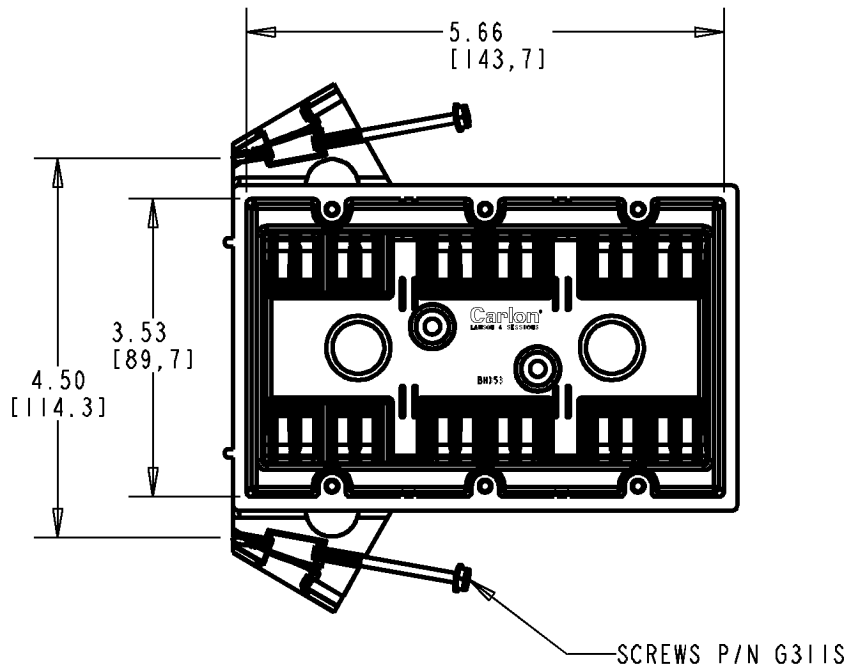
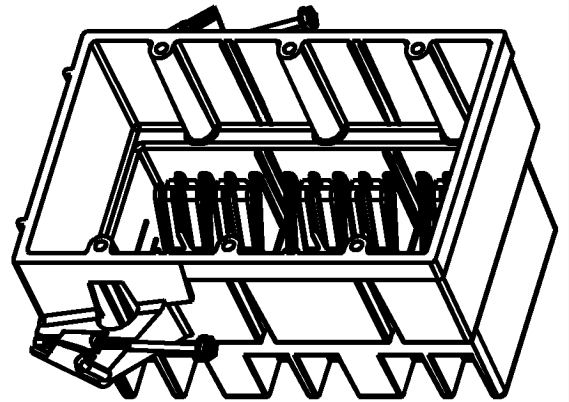


Carlton®



WIRE GA. / CONDUCTORS

26 / 14

23 / 12

20 / 10

P/N BH353S

GENERAL NOTES

1. ALL DIMENSIONS ARE FOR REFERENCE ONLY.
2. DIMENSIONS IN BRACKETS [] ARE IN METRIC UNITS.

REVISIONS

** SEE ERN (****) FOR APPROVAL SIGNATURES & RELEASE DATE.
PROJECT NO: ****

Thomas & Betts
www.tnb.com

DESCRIPTION:

**3 GANG SUPER BLUE
OUTLET & SWITCH BOX - 52 CU. IN. VOL.**

ORIGINAL PROJECT NO / (ERN NO)

/ ()

SHEET NO:

1 OF 2

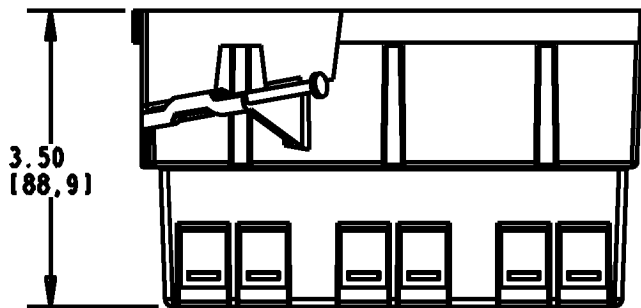
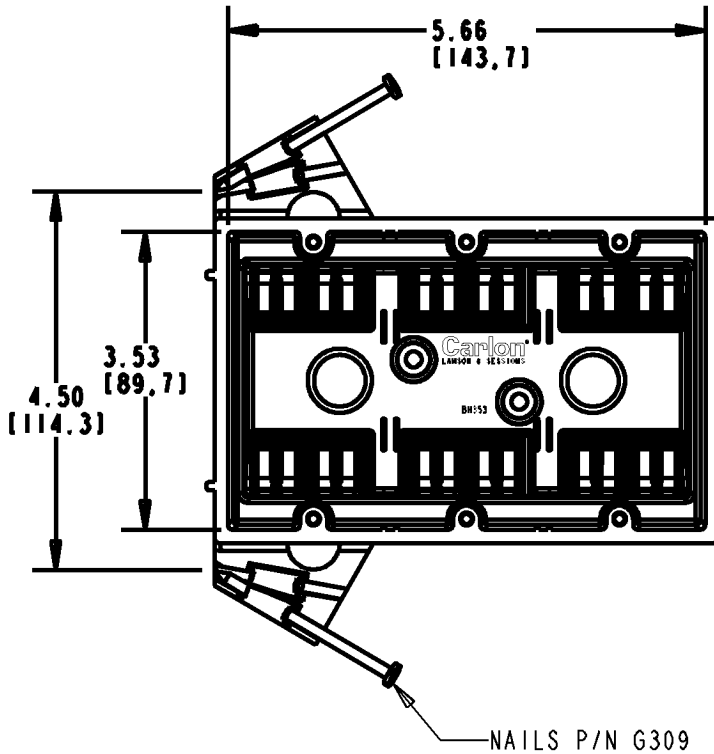
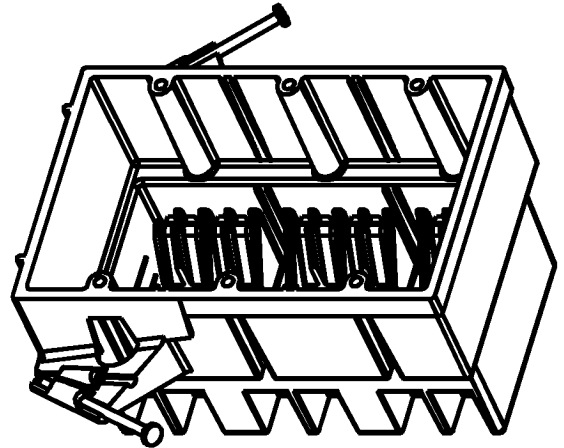
REV. NO:

B

DRAWING NO:

WSD-AC03644

Carlton®



WIRE GA. / CONDUCTORS

26 / 14
23 / 12
20 / 10

P/N BH353A

Thomas & Betts
www.tnb.com

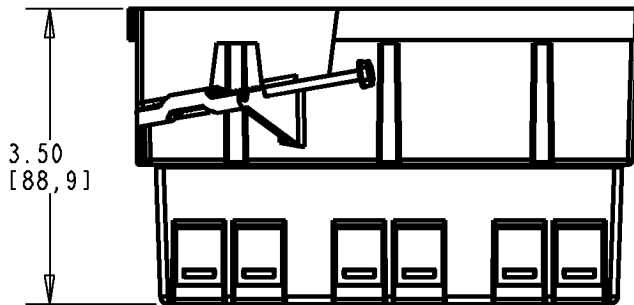
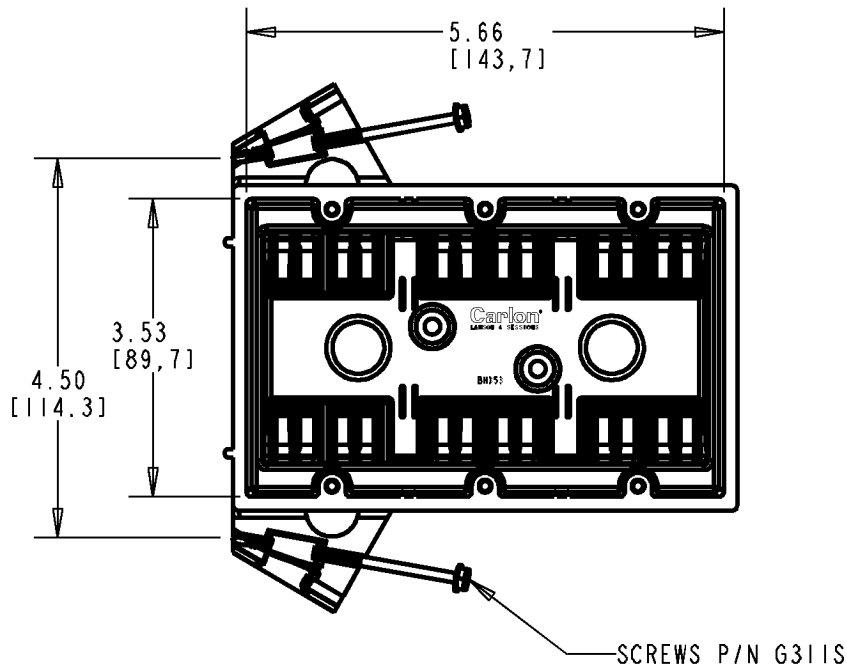
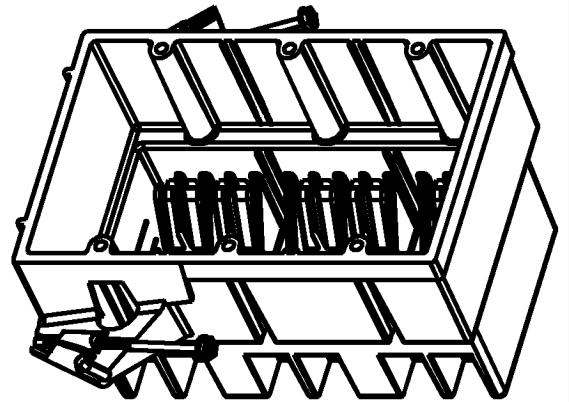
DESCRIPTION: **3 GANG SUPER BLUE
OUTLET & SWITCH BOX - 52 CU. IN. VOL.**

SHEET NO:
2 OF 2

REV. NO:
B

DRAWING NO:
WSD-AC03644

Carlton®



WIRE GA. / CONDUCTORS
 26 / 14
 23 / 12
 20 / 10

P/N BH353S

GENERAL NOTES

1. ALL DIMENSIONS ARE FOR REFERENCE ONLY.
2. DIMENSIONS IN BRACKETS [] ARE IN METRIC UNITS.

REVISIONS

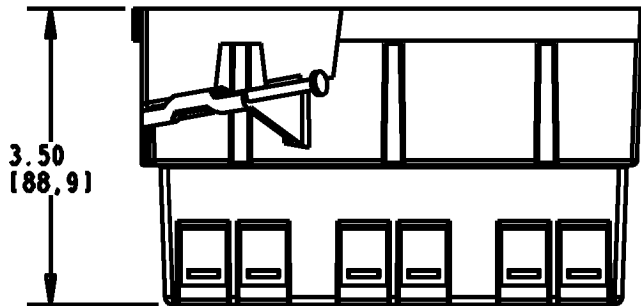
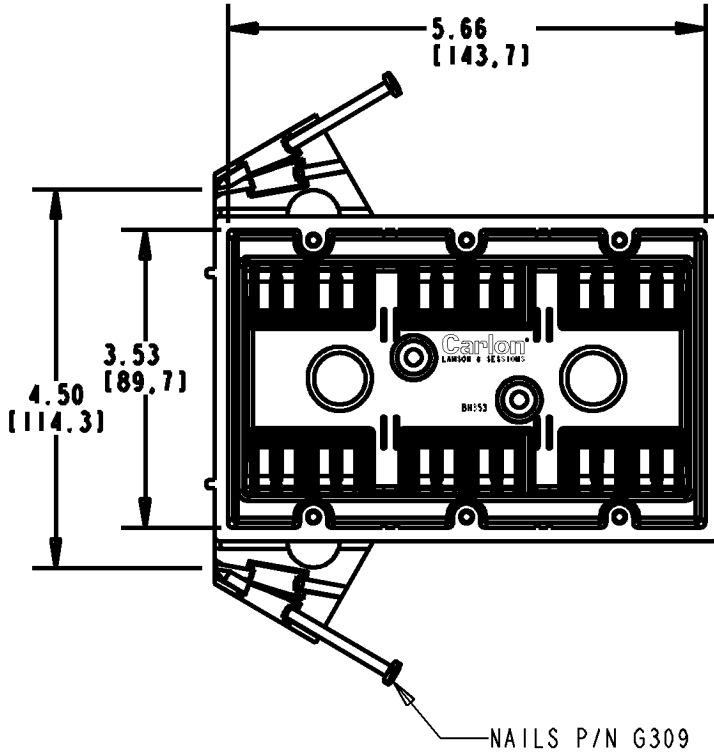
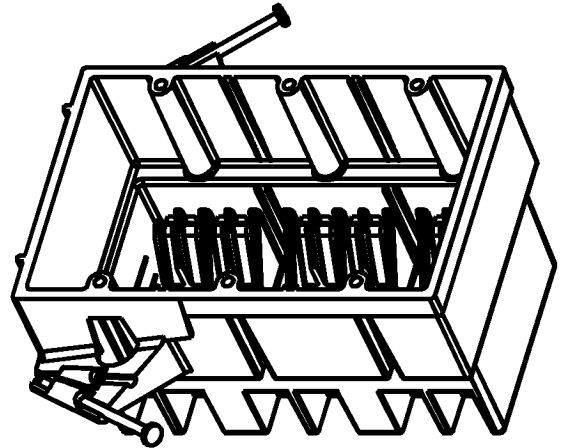
** SEE ERN (****) FOR APPROVAL SIGNATURES & RELEASE DATE.
 PROJECT NO: ****

Thomas & Betts
 www.tnb.com

DESCRIPTION: **3 GANG SUPER BLUE
 OUTLET & SWITCH BOX - 52 CU. IN. VOL.**

ORIGINAL PROJECT NO / (ERN NO)	SHEET NO:	REV. NO:	DRAWING NO:
/ ()	1 OF 2	B	WSD-AC03644

Carlton®



WIRE GA. / CONDUCTORS

26 / 14
23 / 12
20 / 10

P/N BH353A

Thomas & Betts
www.tnb.com

DESCRIPTION: **3 GANG SUPER BLUE
OUTLET & SWITCH BOX - 52 CU. IN. VOL.**

SHEET NO:
2 OF 2

REV. NO:
B

DRAWING NO:
WSD-AC03644