



SPECIFICATIONS  
**BFQHSG**  
 EXHAUST FAN HOUSING

**Exhaust Fan Housing**

• **Fan Housing**

PC/ABS polymeric, dimensions 8 1/2" x 9 1/8" x 3 7/8".

• **Duct Collar**

Plastic collar for 4" duct connection, comes complete with built in non-metallic back draft damper for quiet operation.

• **Unit Mounting**

Designed to mount in ceilings with at least 6" of clearance. The unit is mounted directly to the joist using a separate lock-in bracket (included with unit). The housing will mount through drywall thickness up to 3/4", with a rough-in opening of 8 1/2" x 9 1/8".

**Acceptable for use over tub or shower when installed in a GFCI protected branch circuit.**

• **Available Trim Kits**

**BFQ50T:** 50 CFM, ENERGY STAR® certified

**BFQ75T:** 75 CFM, ENERGY STAR® certified

**BFQ80T:** 80 CFM

**BFQ90MBG:** 90 CFM

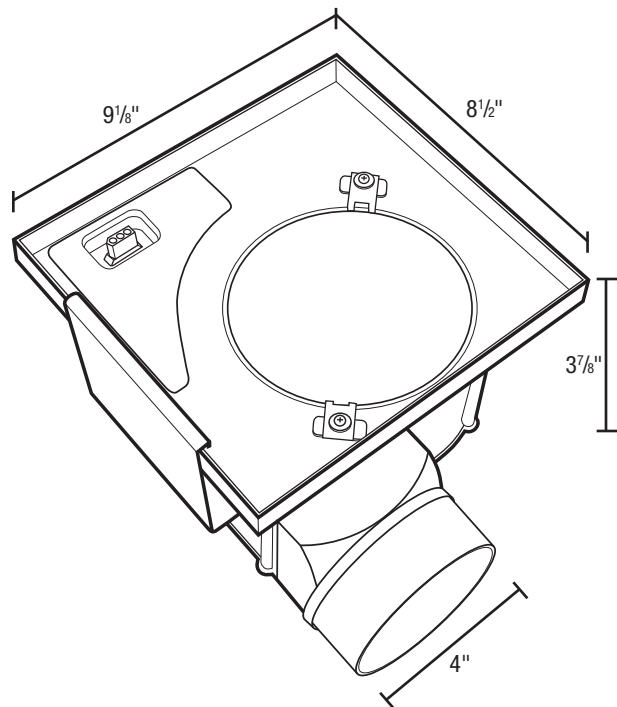
**BFQ110MBG:** 100 CFM

**BFQ140MBG:** 120 CFM

• **Shipping Info**

Number of Housings in Box: 4

UPC Code: 083162903105



<b>PROJECT</b>							<b>ARCHITECT</b>		
<b>LOCATION</b>							<b>ENGINEER</b>		
<b>CONTRACTOR</b>							<b>SUBMITTED BY</b>		<b>DATE</b>
<b>FAN NUMBER</b>	<b>MODEL NUMBER</b>	<b>CFM</b>	<b>IN W.C.</b>	<b>RPM</b>	<b>WATTS</b>	<b>AMPS</b>	<b>SONES</b>	<b>QTY</b>	<b>OPTIONAL EQUIPMENT &amp; REMARKS</b>

**U.S.:** 820 Lincoln Avenue  
 West Chester, Pennsylvania 19380-4466  
 Tel: (610) 692-7400 • 877-304-3785  
 Fax: (610) 696-8048



SPECIFICATIONS  
**BFQHSG**  
 EXHAUST FAN HOUSING

**Exhaust Fan Housing**

• **Fan Housing**

PC/ABS polymeric, dimensions 8 1/2" x 9 1/8" x 3 7/8".

• **Duct Collar**

Plastic collar for 4" duct connection, comes complete with built in non-metallic back draft damper for quiet operation.

• **Unit Mounting**

Designed to mount in ceilings with at least 6" of clearance. The unit is mounted directly to the joist using a separate lock-in bracket (included with unit). The housing will mount through drywall thickness up to 3/4", with a rough-in opening of 8 1/2" x 9 1/8".

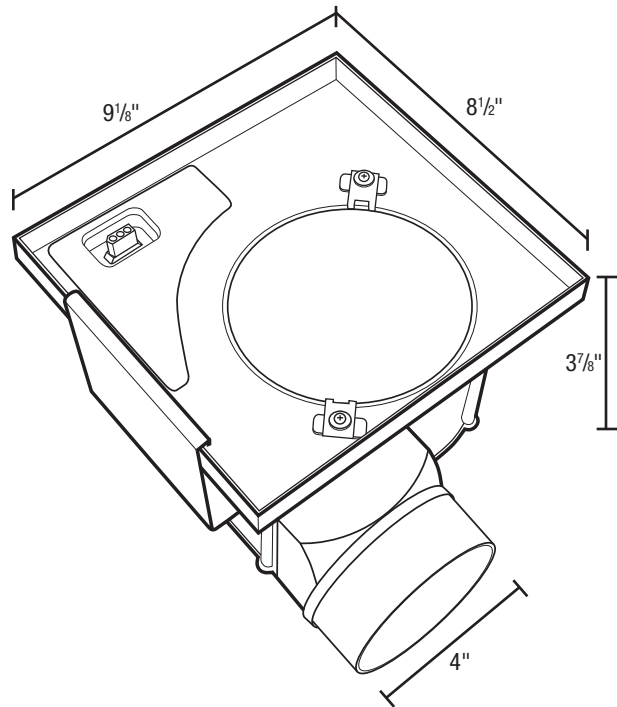
**Acceptable for use over tub or shower when installed in a GFCI protected branch circuit.**

• **Available Trim Kits**

- BFQ50T:** 50 CFM, ENERGY STAR® certified
- BFQ75T:** 75 CFM, ENERGY STAR® certified
- BFQ80T:** 80 CFM
- BFQ90MBG:** 90 CFM
- BFQ110MBG:** 100 CFM
- BFQ140MBG:** 120 CFM

• **Shipping Info**

Number of Housings in Box: 4  
 UPC Code: 083162903105



<b>PROJECT</b>							<b>ARCHITECT</b>			
<b>LOCATION</b>							<b>ENGINEER</b>			
<b>CONTRACTOR</b>							<b>SUBMITTED BY</b>			<b>DATE</b>
<b>FAN NUMBER</b>	<b>MODEL NUMBER</b>	<b>CFM</b>	<b>IN W.C.</b>	<b>RPM</b>	<b>WATTS</b>	<b>AMPS</b>	<b>SONES</b>	<b>QTY</b>	<b>OPTIONAL EQUIPMENT &amp; REMARKS</b>	

**U.S.:** 820 Lincoln Avenue  
 West Chester, Pennsylvania 19380-4466  
 Tel: (610) 692-7400 • 877-304-3785  
 Fax: (610) 696-8048