

## Concrete Inserts

### Concrete Inserts (Series 300/400)

Standard lengths 10 ft. and 20 ft. length tolerance  $\frac{3}{16}$ ". Assemblies available in any length from 12" to 20 ft. Consult factory.

Insert with end caps and foam filler strip installed.

#### Material:

B-302 and C-302 Insert Channel — 12 ga. steel.

B-804 and C-804 End Caps — 12 ga. steel.

Superstrut® continuous insert channel is cold formed from 12 gauge hot-rolled strip steel in two basic sizes as follows:

#### CAT. NO. B-302

1 $\frac{5}{8}$ " x 1 $\frac{3}{16}$ " dim.       $\frac{7}{8}$ " slot

#### CAT. NO. C-302

1 $\frac{5}{8}$ " x 1 $\frac{3}{8}$ " dim.       $\frac{7}{8}$ " slot

#### Finishes

Product is available in GoldGalv® pre-galvanized (PG), hot-dipped galvanized (HDG) and stainless steel (SS). Contact your T&B Sales team for delivery and pricing.

Standard lengths are 10 ft. and 20 ft. Product is supplied with foam filler and end caps to prevent seepage of concrete into channel.

#### Application

For casting into concrete walls, floors or ceilings to provide attachment anywhere along the continuous slot.

#### Design Data

Load ratings as shown have a safety factor of 3 in 3,000 lb. hard rock concrete. Where "good" concrete does not exist, the load ratings shall not apply.

GoldGalv® hardware finish is standard for all Superstrut® products. This is a multi-process finish of electro-plated zinc, followed by gold-colored trivalent chromium to give excellent corrosion resistance and a superior paint base. See **pages B-106–B-107** for a complete description of the GoldGalv® hardware finish. GoldGalv® hardware will be furnished if no other finish is specified.

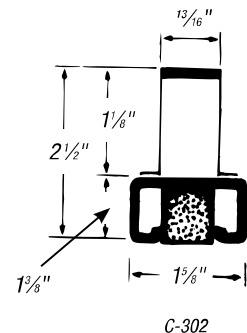
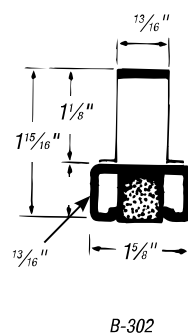
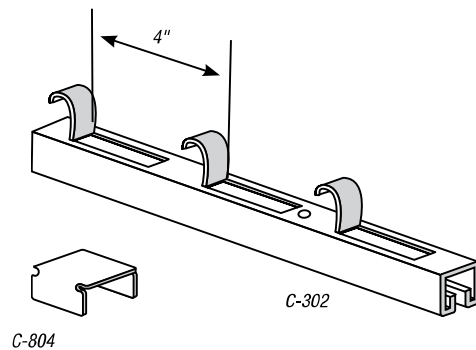
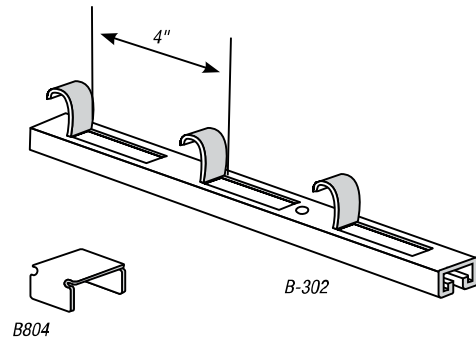
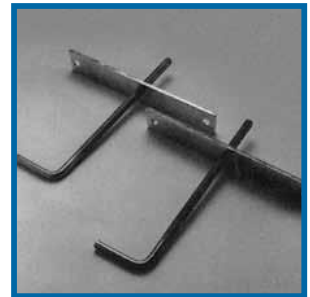
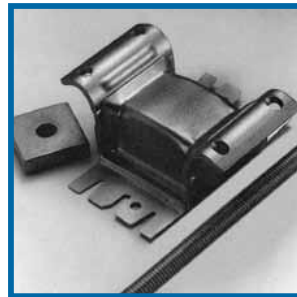
*Standard Finish — GoldGalv®, unless otherwise stated.*

#### Design Load lbs.

2,000 lbs. per foot in 3,000 lbs. hard rock concrete with a safety factor of 2.

**NOTE:** B-302 and C-302 are furnished with:

- A.** Concrete safe tape applied to interior of channel to cover holes.
- B.** Styrene insert between tape and  $\frac{7}{8}$ " continuous opening.
- C.** Two end caps on either side of strut to prevent concrete seepage.



CAT. NO.	DESCRIPTION
B-302*	Insert channel 12 ga. steel — $\frac{13}{16}$ " depth
C-302*	Insert channel 12 ga. steel — 1 $\frac{1}{2}$ " depth
B804	End cap in B Series Concrete Insert
C-804	End cap in C Series Concrete Insert

\*Add suffix -10 for 10' lengths and -20 for 20' lengths