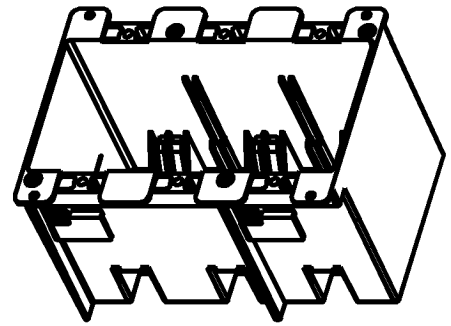
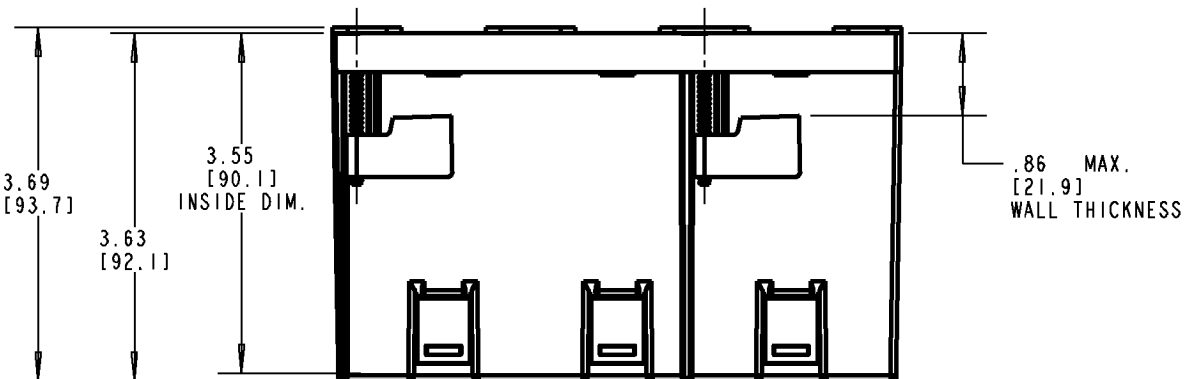
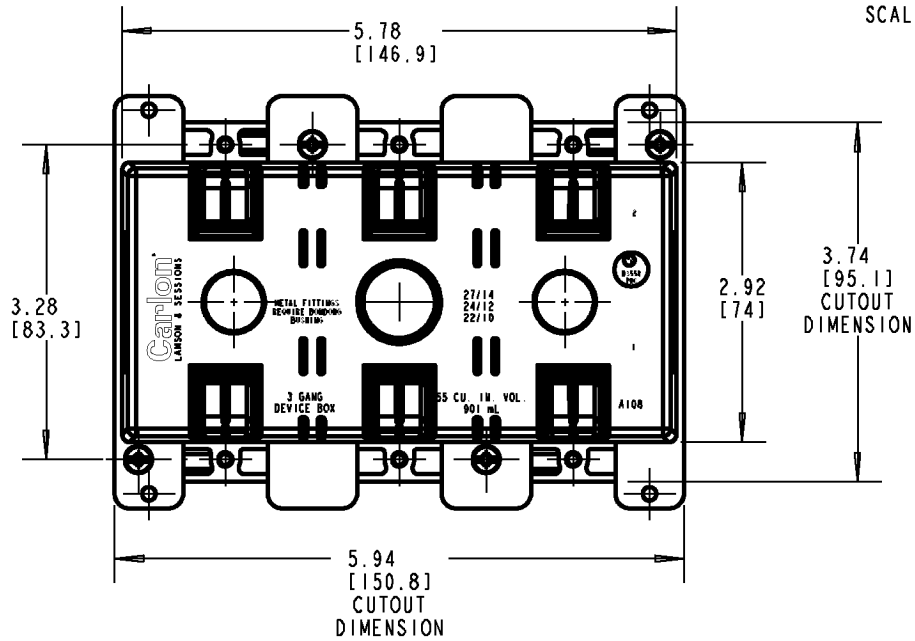


# Carlton®




SCALE 0.300

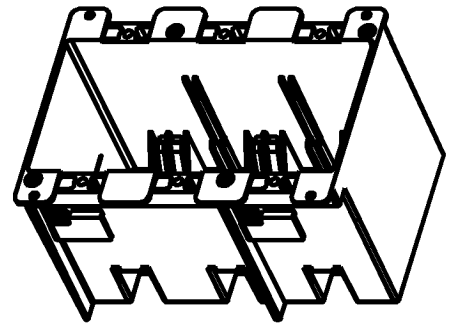


- NOTES:
1. PRODUCT IS UL AND C-UL LISTED.
  2. CAPACITY: 55 CU. IN. VOL.

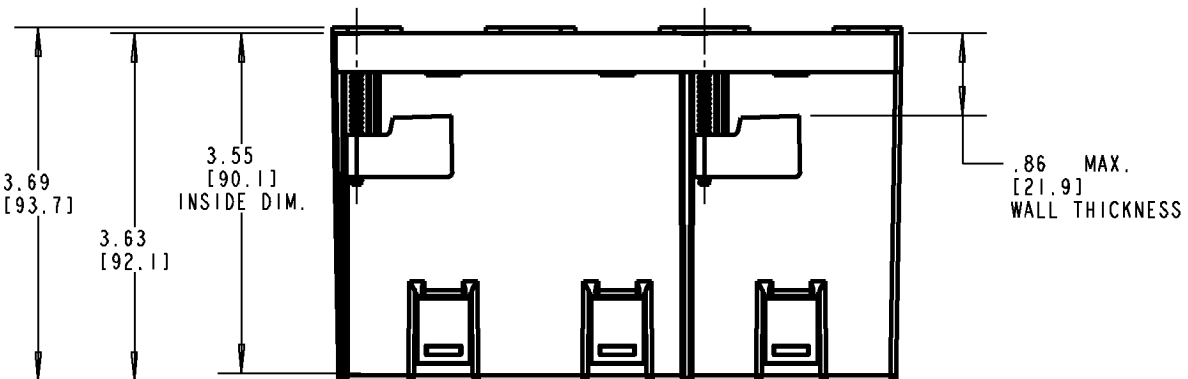
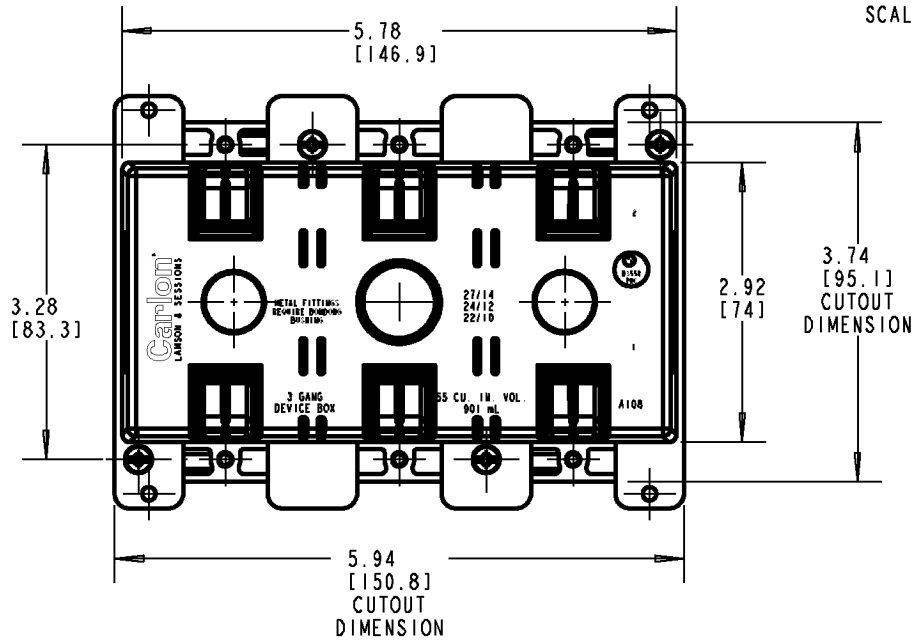
P/N B355R

<b>GENERAL NOTES</b>		 www.tnb.com			
1. ALL DIMENSIONS ARE FOR REFERENCE ONLY. 2. DIMENSIONS IN BRACKETS [ ] ARE IN METRIC UNITS.					
<b>REVISIONS</b>		DESCRIPTION: <b>3 GANG OLD WORK BOX</b>			
*** SEE ERN ( **** ) FOR APPROVAL SIGNATURES & RELEASE DATE. PROJECT NO: ****		ORIGINAL PROJECT NO / ( ERN NO ) / ( )	SHEET NO: 1 OF 1	REV. NO: D	DRAWING NO: <b>WSD-AC03434</b>

# Carlton®




SCALE 0.300



- NOTES:
1. PRODUCT IS UL AND C-UL LISTED.
  2. CAPACITY: 55 CU. IN. VOL.

P/N B355R

<b>GENERAL NOTES</b>		 www.tnb.com			
1. ALL DIMENSIONS ARE FOR REFERENCE ONLY. 2. DIMENSIONS IN BRACKETS [ ] ARE IN METRIC UNITS.					
<b>REVISIONS</b>		<b>DESCRIPTION: 3 GANG OLD WORK BOX</b>			
*** SEE ERN ( **** ) FOR APPROVAL SIGNATURES & RELEASE DATE. PROJECT NO: ****		ORIGINAL PROJECT NO / ( ERN NO )	SHEET NO:	REV. NO:	DRAWING NO:
		/ ( )	1 OF 1	D	<b>WSD-AC03434</b>