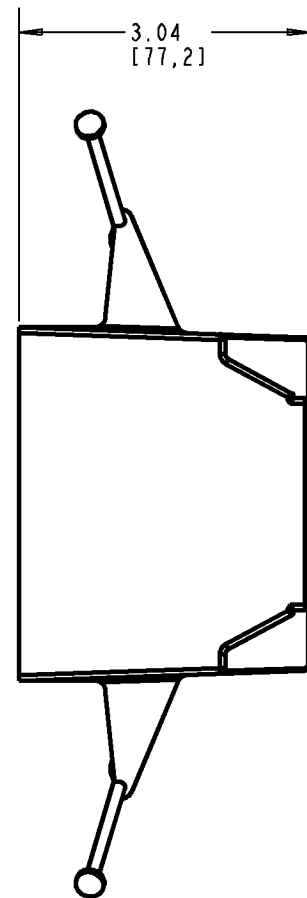
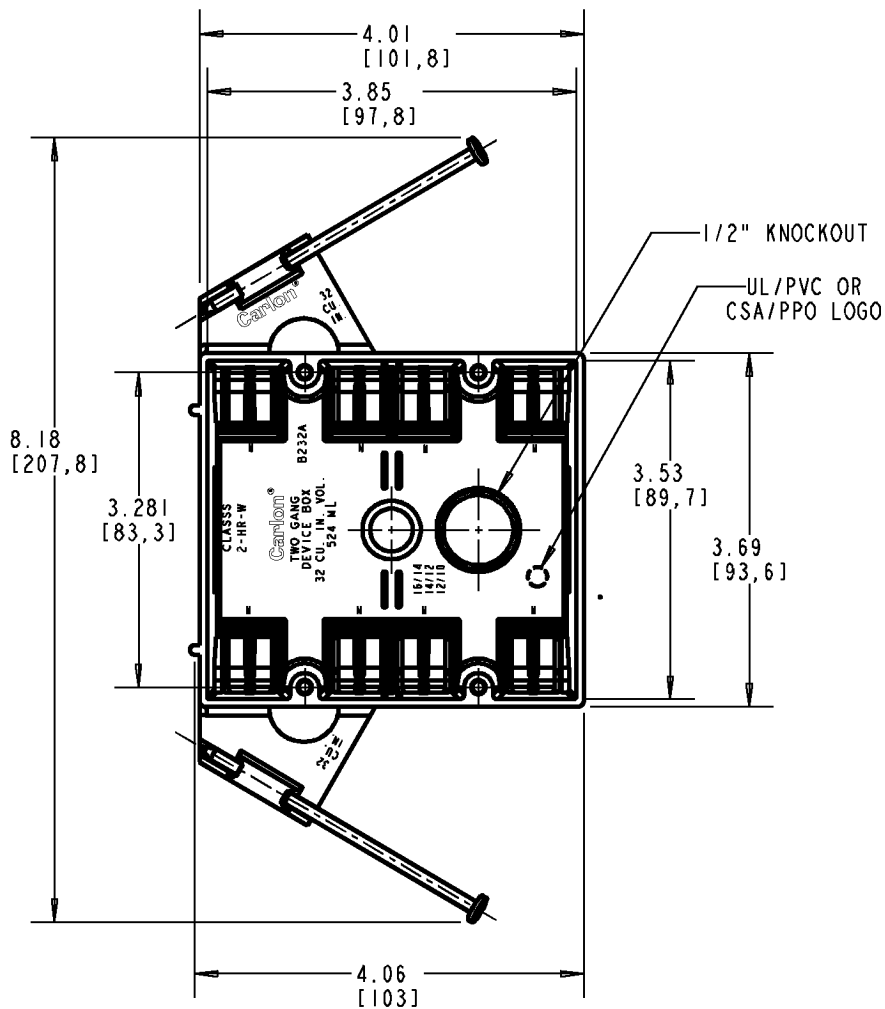
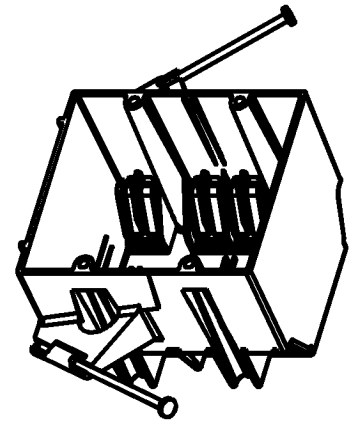


Carlton®



NOTE:
1. SUPPORT NAILS INCLUDED.

P/N
B232ACP
B232AR-UPC
B232A-UPC

GENERAL NOTES

1. ALL DIMENSIONS ARE FOR REFERENCE ONLY.
2. DIMENSIONS IN BRACKETS [] ARE IN METRIC UNITS.

REVISIONS

*** SEE ERN (****) FOR APPROVAL SIGNATURES & RELEASE DATE.
PROJECT NO: ****

Thomas & Betts
www.tnb.com

DESCRIPTION: **ZIP BOX 32 CU. IN. VOL. - 2 GANG**

ORIGINAL PROJECT NO / (ERN NO)

SHEET NO:

REV. NO:

DRAWING NO:

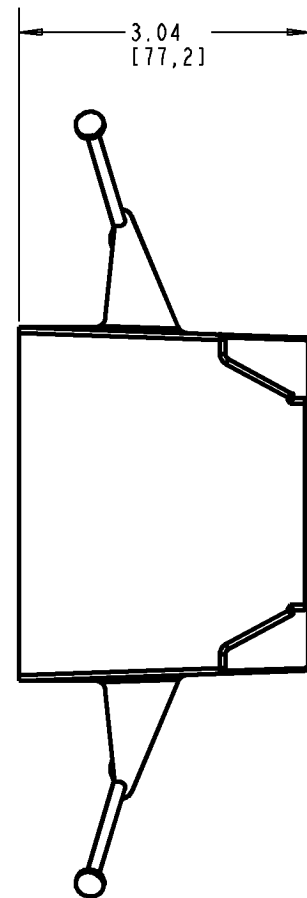
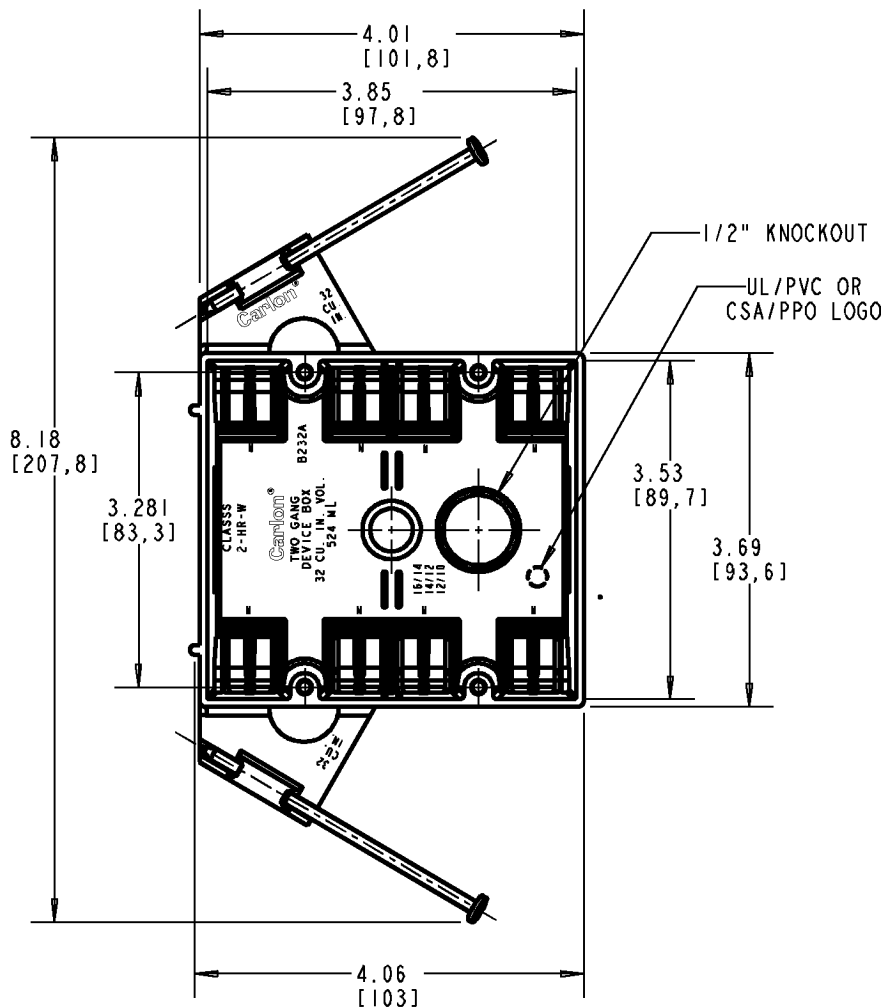
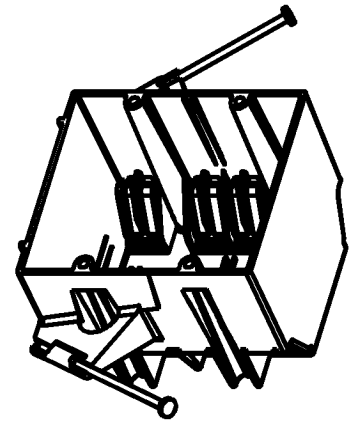
/ ()

1 OF 1

B

AC02080

Carlton®



P/N
B232ACP
B232AR-UPC
B232A-UPC

NOTE:
1. SUPPORT NAILS INCLUDED.

GENERAL NOTES

1. ALL DIMENSIONS ARE FOR REFERENCE ONLY.
2. DIMENSIONS IN BRACKETS [] ARE IN METRIC UNITS.

REVISIONS

*** SEE ERN (****) FOR APPROVAL SIGNATURES & RELEASE DATE.
PROJECT NO: ****

Thomas & Betts
www.tnb.com

DESCRIPTION: ZIP BOX 32 CU. IN. VOL. - 2 GANG

ORIGINAL PROJECT NO / (ERN NO)

/ ()

SHEET NO:

1 OF 1

REV. NO:

B

DRAWING NO:

AC02080