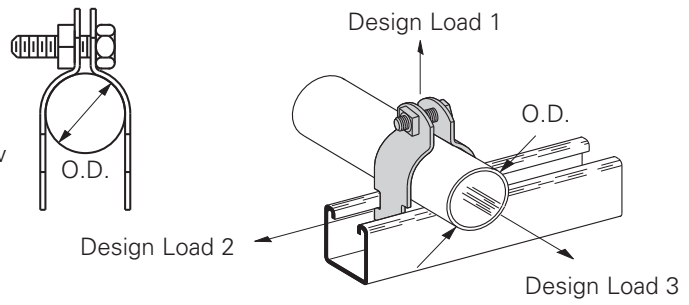


Pipe Clamps


B2000 Series O.D. Pipe and Conduit Clamps

- Safety Factor of 5
- Add PA to suffix for pre-assembled pipe clamps
- Other sizes available upon request
- Includes Combination Recess Hex Head Machine Screw and Square Nut.
- Material: 16 Ga. (1.5), 14 Ga. (1.9), 12 Ga. (2.6)
ASTM A1011 33,000 PSI min. yield and 11 Ga. (3.0)
ASTM A1011HSLA Gr. 50
- Standard finishes: ZN, HDG, SS4



O.D. Clamps

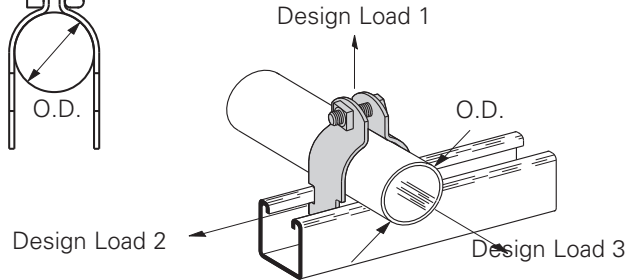
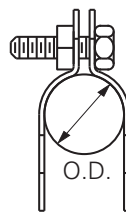
| Part No. | O.D. Size (in.) | | Hardware Size | Material Gauge Thickness | | Design Load 1 | | Design Load 2 | | Design Load 3 | | Wt./C | |
|----------|-----------------|---------|---------------|--------------------------|-------|---------------|--------|---------------|-------|---------------|-------|-------|--------|
| | In. | mm | | In. | mm | Lbs. | kN | Lbs. | kN | Lbs. | kN | Lbs. | kg |
| B2023 | 1/4" | (6.3) | 1/4"-20 | 16 | (1.5) | 120 | (.54) | 30 | (.13) | 30 | (.13) | 8 | (3.6) |
| B2024 | 3/8" | (9.5) | 1/4"-20 | 16 | (1.5) | 300 | (1.33) | 40 | (.18) | 40 | (.18) | 8 | (3.6) |
| B2025 | 1/2" | (12.7) | 1/4"-20 | 16 | (1.5) | 400 | (1.78) | 50 | (.22) | 50 | (.22) | 9 | (4.1) |
| B2026 | 5/8" | (15.9) | 1/4"-20 | 16 | (1.5) | 400 | (1.78) | 50 | (.22) | 50 | (.22) | 10 | (4.5) |
| B2027 | 3/4" | (19.0) | 1/4"-20 | 16 | (1.5) | 400 | (1.78) | 50 | (.22) | 50 | (.22) | 10 | (4.5) |
| B2008 | 7/8" | (22.2) | 1/4"-20 | 16 | (1.5) | 400 | (1.78) | 50 | (.22) | 50 | (.22) | 11 | (5.0) |
| B2009 | 1" | (25.4) | 1/4"-20 | 14 | (1.9) | 500 | (2.22) | 75 | (.33) | 75 | (.33) | 15 | (6.8) |
| B2030 | 1 1/8" | (28.6) | 1/4"-20 | 14 | (1.9) | 600 | (2.67) | 75 | (.33) | 75 | (.33) | 15 | (6.8) |
| B2031 | 1 1/4" | (31.7) | 1/4"-20 | 14 | (1.9) | 600 | (2.67) | 75 | (.33) | 75 | (.33) | 16 | (7.3) |
| B2010 | 1 3/8" | (34.9) | 1/4"-20 | 14 | (1.9) | 600 | (2.67) | 75 | (.33) | 75 | (.33) | 17 | (7.7) |
| B2004 | 1 1/2" | (38.1) | 1/4"-20 | 14 | (1.9) | 600 | (2.67) | 75 | (.33) | 75 | (.33) | 18 | (8.2) |
| B2011 | 1 5/8" | (41.3) | 1/4"-20 | 14 | (1.9) | 600 | (2.67) | 75 | (.33) | 75 | (.33) | 19 | (8.6) |
| B2005 | 1 3/4" | (44.4) | 5/16"-18 | 12 | (2.6) | 800 | (3.56) | 125 | (.56) | 125 | (.56) | 29 | (13.1) |
| B2012 | 1 7/8" | (47.6) | 5/16"-18 | 12 | (2.6) | 800 | (3.56) | 125 | (.56) | 125 | (.56) | 30 | (13.6) |
| B2037 | 2 | (50.8) | 5/16"-18 | 12 | (2.6) | 800 | (3.56) | 125 | (.56) | 125 | (.56) | 30 | (13.6) |
| B2038 | 2 1/8" | (54.0) | 5/16"-18 | 12 | (2.6) | 800 | (3.56) | 125 | (.56) | 125 | (.56) | 32 | (14.5) |
| B2039 | 2 1/4" | (57.1) | 5/16"-18 | 12 | (2.6) | 800 | (3.56) | 125 | (.56) | 125 | (.56) | 32 | (14.5) |
| B2013 | 2 3/8" | (60.3) | 5/16"-18 | 12 | (2.6) | 800 | (3.56) | 125 | (.56) | 125 | (.56) | 34 | (15.4) |
| B2041 | 2 1/2" | (63.5) | 5/16"-18 | 12 | (2.6) | 800 | (3.56) | 125 | (.56) | 125 | (.56) | 35 | (15.9) |
| B2042 | 2 5/8" | (66.7) | 5/16"-18 | 12 | (2.6) | 800 | (3.56) | 125 | (.56) | 125 | (.56) | 35 | (15.9) |
| B2043 | 2 3/4" | (69.8) | 5/16"-18 | 12 | (2.6) | 800 | (3.56) | 125 | (.56) | 125 | (.56) | 38 | (17.2) |
| B2014 | 2 7/8" | (73.0) | 5/16"-18 | 12 | (2.6) | 800 | (3.56) | 125 | (.56) | 125 | (.56) | 38 | (17.2) |
| B2045 | 3 | (76.2) | 5/16"-18 | 12 | (2.6) | 800 | (3.56) | 125 | (.56) | 125 | (.56) | 38 | (17.2) |
| B2046 | 3 1/8" | (79.4) | 5/16"-18 | 12 | (2.6) | 800 | (3.56) | 125 | (.56) | 125 | (.56) | 39 | (17.7) |
| B2047 | 3 1/4" | (82.5) | 5/16"-18 | 12 | (2.6) | 800 | (3.56) | 125 | (.56) | 125 | (.56) | 41 | (18.6) |
| B2048 | 3 3/8" | (85.7) | 5/16"-18 | 12 | (2.6) | 800 | (3.56) | 125 | (.56) | 125 | (.56) | 43 | (19.5) |
| B2015 | 3 1/2" | (88.9) | 5/16"-18 | 12 | (2.6) | 800 | (3.56) | 125 | (.56) | 125 | (.56) | 44 | (20.0) |
| B2050 | 3 5/8" | (92.1) | 5/16"-18 | 11 | (3.0) | 1000 | (4.45) | 200 | (.89) | 150 | (.67) | 54 | (24.5) |
| B2051 | 3 3/4" | (95.2) | 5/16"-18 | 11 | (3.0) | 1000 | (4.45) | 200 | (.89) | 150 | (.67) | 57 | (25.8) |
| B2052 | 3 7/8" | (98.4) | 5/16"-18 | 11 | (3.0) | 1000 | (4.45) | 200 | (.89) | 150 | (.67) | 55 | (25.0) |
| B2016 | 4 | (101.6) | 5/16"-18 | 11 | (3.0) | 1000 | (4.45) | 200 | (.89) | 150 | (.67) | 57 | (25.8) |
| B2054 | 4 1/8" | (104.8) | 5/16"-18 | 11 | (3.0) | 1000 | (4.45) | 200 | (.89) | 150 | (.67) | 61 | (27.7) |
| B2055 | 4 1/4" | (107.9) | 5/16"-18 | 11 | (3.0) | 1000 | (4.45) | 200 | (.89) | 150 | (.67) | 62 | (28.1) |
| B2056 | 4 3/8" | (111.1) | 5/16"-18 | 11 | (3.0) | 1000 | (4.45) | 200 | (.89) | 150 | (.67) | 64 | (29.0) |
| B2017 | 4 1/2" | (114.3) | 5/16"-18 | 11 | (3.0) | 1000 | (4.45) | 200 | (.89) | 150 | (.67) | 66 | (29.9) |
| B2058 | 4 5/8" | (117.5) | 5/16"-18 | 11 | (3.0) | 1000 | (4.45) | 200 | (.89) | 150 | (.67) | 66 | (29.9) |

 4Dimension compatible fitting
open side only OSO

Reference page 127 for general fitting and standard finish specifications.

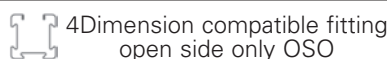
B2000 Series O.D. Pipe and Conduit Clamps

- Safety Factor of 5
- Add PA to suffix for pre-assembled pipe clamps
- Other sizes available upon request
- Includes Combination Recess Hex Head Machine Screw and Square Nut.
- Material: 16 Ga. (1.5), 14 Ga. (1.9), 12 Ga. (2.6) ASTM A1011 33,000 PSI min. yield and 11 Ga. (3.0) ASTM A1011HSLA Gr. 50
- Standard finishes: ZN, HDG, SS4



O.D. Clamps

| Part No. | O.D. Size (in.) | | Hardware Size | Material Gauge Thickness | | Design Load 1 | | Design Load 2 | | Design Load 3 | | Wt./C | |
|----------|----------------------------------|---------|---------------|--------------------------|-------|---------------|--------|---------------|--------|---------------|-------|-------|--------|
| | In. | mm | | In. | mm | Lbs. | kN | Lbs. | kN | Lbs. | kN | Lbs. | kg |
| B2059 | 4 ³ / ₄ " | (120.6) | 5/16"-18 | 11 | (3.0) | 1000 | (4.45) | 200 | (.89) | 150 | (.67) | 68 | (30.8) |
| B2060 | 4 ⁷ / ₈ " | (123.8) | 5/16"-18 | 11 | (3.0) | 1000 | (4.45) | 200 | (.89) | 150 | (.67) | 69 | (31.3) |
| B2018 | 5 | (127.0) | 5/16"-18 | 11 | (3.0) | 1000 | (4.45) | 200 | (.89) | 150 | (.67) | 70 | (31.8) |
| B2062 | 5 ¹ / ₈ " | (130.2) | 5/16"-18 | 11 | (3.0) | 1000 | (4.45) | 200 | (.89) | 150 | (.67) | 70 | (31.8) |
| B2063 | 5 ¹ / ₄ " | (133.3) | 5/16"-18 | 11 | (3.0) | 1000 | (4.45) | 200 | (.89) | 150 | (.67) | 70 | (31.8) |
| B2064 | 5 ³ / ₈ " | (136.5) | 5/16"-18 | 11 | (3.0) | 1000 | (4.45) | 200 | (.89) | 150 | (.67) | 77 | (34.9) |
| B2019 | 5 ¹ / ₂ " | (139.7) | 5/16"-18 | 11 | (3.0) | 1000 | (4.45) | 200 | (.89) | 150 | (.67) | 78 | (35.4) |
| B2066 | 5 ⁵ / ₈ " | (142.9) | 3/8"-16 | 11 | (3.0) | 1000 | (4.45) | 200 | (.89) | 150 | (.67) | 83 | (37.6) |
| B2067 | 5 ³ / ₄ " | (146.0) | 3/8"-16 | 11 | (3.0) | 1000 | (4.45) | 200 | (.89) | 150 | (.67) | 84 | (38.1) |
| B2068 | 5 ⁷ / ₈ " | (149.2) | 3/8"-16 | 11 | (3.0) | 1000 | (4.45) | 200 | (.89) | 150 | (.67) | 85 | (38.6) |
| B2069 | 6" | (152.4) | 3/8"-16 | 11 | (3.0) | 1000 | (4.45) | 200 | (.89) | 150 | (.67) | 87 | (39.5) |
| B2110 | 6 ¹ / ₈ " | (155.6) | 3/8"-16 | 11 | (3.0) | 1000 | (4.45) | 250 | (1.11) | 200 | (.89) | 94 | (42.6) |
| B2111 | 6 ¹ / ₄ " | (158.7) | 3/8"-16 | 11 | (3.0) | 1000 | (4.45) | 250 | (1.11) | 200 | (.89) | 96 | (43.5) |
| B2112 | 6 ³ / ₈ " | (161.9) | 3/8"-16 | 11 | (3.0) | 1000 | (4.45) | 250 | (1.11) | 200 | (.89) | 98 | (44.4) |
| B2113 | 6 ¹ / ₂ " | (165.1) | 3/8"-16 | 11 | (3.0) | 1000 | (4.45) | 250 | (1.11) | 200 | (.89) | 99 | (44.9) |
| B2020 | 6 ⁵ / ₈ " | (168.3) | 3/8"-16 | 11 | (3.0) | 1000 | (4.45) | 250 | (1.11) | 200 | (.89) | 100 | (45.4) |
| B2115 | 6 ³ / ₄ " | (171.4) | 3/8"-16 | 11 | (3.0) | 1000 | (4.45) | 250 | (1.11) | 200 | (.89) | 102 | (46.3) |
| B2116 | 6 ⁷ / ₈ " | (174.6) | 3/8"-16 | 11 | (3.0) | 1000 | (4.45) | 250 | (1.11) | 200 | (.89) | 104 | (47.2) |
| B2117 | 7" | (177.8) | 3/8"-16 | 11 | (3.0) | 1000 | (4.45) | 250 | (1.11) | 200 | (.89) | 106 | (48.1) |
| B2118 | 7 ¹ / ₈ " | (181.0) | 3/8"-16 | 11 | (3.0) | 1000 | (4.45) | 250 | (1.11) | 200 | (.89) | 108 | (49.0) |
| B2119 | 7 ¹ / ₄ " | (184.1) | 3/8"-16 | 11 | (3.0) | 1000 | (4.45) | 250 | (1.11) | 200 | (.89) | 110 | (49.9) |
| B2120 | 7 ³ / ₈ " | (187.3) | 3/8"-16 | 11 | (3.0) | 1000 | (4.45) | 250 | (1.11) | 200 | (.89) | 112 | (50.8) |
| B2121 | 7 ¹ / ₂ " | (190.5) | 3/8"-16 | 11 | (3.0) | 1000 | (4.45) | 250 | (1.11) | 200 | (.89) | 114 | (51.7) |
| B2021 | 7 ⁵ / ₈ " | (193.7) | 3/8"-16 | 11 | (3.0) | 1000 | (4.45) | 250 | (1.11) | 200 | (.89) | 115 | (52.2) |
| B2123 | 7 ³ / ₄ " | (196.8) | 3/8"-16 | 11 | (3.0) | 1000 | (4.45) | 250 | (1.11) | 200 | (.89) | 117 | (53.1) |
| B2124 | 7 ⁷ / ₈ " | (200.0) | 3/8"-16 | 11 | (3.0) | 1000 | (4.45) | 250 | (1.11) | 200 | (.89) | 119 | (54.0) |
| B2125 | 8" | (203.2) | 3/8"-16 | 11 | (3.0) | 1000 | (4.45) | 250 | (1.11) | 200 | (.89) | 121 | (54.9) |
| B2126 | 8 ¹ / ₈ " | (206.4) | 3/8"-16 | 11 | (3.0) | 1000 | (4.45) | 250 | (1.11) | 200 | (.89) | 123 | (55.8) |
| B2127 | 8 ¹ / ₄ " | (209.5) | 3/8"-16 | 11 | (3.0) | 1000 | (4.45) | 250 | (1.11) | 200 | (.89) | 125 | (56.7) |
| B2128 | 8 ³ / ₈ " | (212.7) | 3/8"-16 | 11 | (3.0) | 1000 | (4.45) | 250 | (1.11) | 200 | (.89) | 126 | (57.2) |
| B2129 | 8 ¹ / ₂ " | (215.9) | 3/8"-16 | 11 | (3.0) | 1000 | (4.45) | 250 | (1.11) | 200 | (.89) | 128 | (58.1) |
| B2022 | 8 ⁵ / ₈ " | (219.1) | 3/8"-16 | 11 | (3.0) | 1000 | (4.45) | 250 | (1.11) | 200 | (.89) | 128 | (58.1) |
| B2130 | 10 ³ / ₄ " | (273.0) | 3/8"-16 | 11 | (3.0) | 1000 | (4.45) | 250 | (1.11) | 200 | (.89) | 160 | (72.6) |
| B2132 | 12 ³ / ₄ " | (323.8) | 3/8"-16 | 11 | (3.0) | 1000 | (4.45) | 250 | (1.11) | 200 | (.89) | 185 | (83.9) |

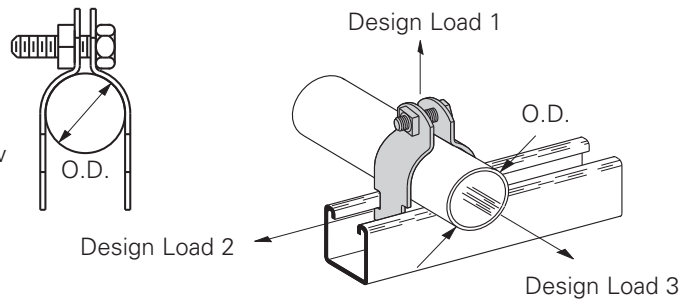


Reference page 127 for general fitting and standard finish specifications.

Pipe Clamps

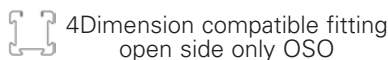
B2000 Series O.D. Pipe and Conduit Clamps

- Safety Factor of 5
- Add PA to suffix for pre-assembled pipe clamps
- Other sizes available upon request
- Includes Combination Recess Hex Head Machine Screw and Square Nut.
- Material: 16 Ga. (1.5), 14 Ga. (1.9), 12 Ga. (2.6)
ASTM A1011 33,000 PSI min. yield and 11 Ga. (3.0)
ASTM A1011HSLA Gr. 50
- Standard finishes: ZN, HDG, SS4



O.D. Clamps

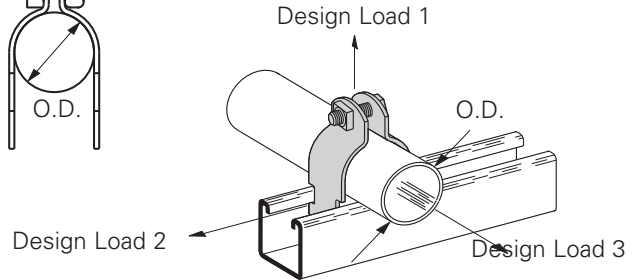
| Part No. | O.D. Size (in.) | | Hardware Size | Material Gauge Thickness | | Design Load 1 | | Design Load 2 | | Design Load 3 | | Wt./C | |
|----------|-----------------|---------|---------------|--------------------------|-------|---------------|--------|---------------|-------|---------------|-------|-------|--------|
| | In. | mm | | In. | mm | Lbs. | kN | Lbs. | kN | Lbs. | kN | Lbs. | kg |
| B2023 | 1/4" | (6.3) | 1/4"-20 | 16 | (1.5) | 120 | (.54) | 30 | (.13) | 30 | (.13) | 8 | (3.6) |
| B2024 | 3/8" | (9.5) | 1/4"-20 | 16 | (1.5) | 300 | (1.33) | 40 | (.18) | 40 | (.18) | 8 | (3.6) |
| B2025 | 1/2" | (12.7) | 1/4"-20 | 16 | (1.5) | 400 | (1.78) | 50 | (.22) | 50 | (.22) | 9 | (4.1) |
| B2026 | 5/8" | (15.9) | 1/4"-20 | 16 | (1.5) | 400 | (1.78) | 50 | (.22) | 50 | (.22) | 10 | (4.5) |
| B2027 | 3/4" | (19.0) | 1/4"-20 | 16 | (1.5) | 400 | (1.78) | 50 | (.22) | 50 | (.22) | 10 | (4.5) |
| B2008 | 7/8" | (22.2) | 1/4"-20 | 16 | (1.5) | 400 | (1.78) | 50 | (.22) | 50 | (.22) | 11 | (5.0) |
| B2009 | 1" | (25.4) | 1/4"-20 | 14 | (1.9) | 500 | (2.22) | 75 | (.33) | 75 | (.33) | 15 | (6.8) |
| B2030 | 1 1/8" | (28.6) | 1/4"-20 | 14 | (1.9) | 600 | (2.67) | 75 | (.33) | 75 | (.33) | 15 | (6.8) |
| B2031 | 1 1/4" | (31.7) | 1/4"-20 | 14 | (1.9) | 600 | (2.67) | 75 | (.33) | 75 | (.33) | 16 | (7.3) |
| B2010 | 1 3/8" | (34.9) | 1/4"-20 | 14 | (1.9) | 600 | (2.67) | 75 | (.33) | 75 | (.33) | 17 | (7.7) |
| B2004 | 1 1/2" | (38.1) | 1/4"-20 | 14 | (1.9) | 600 | (2.67) | 75 | (.33) | 75 | (.33) | 18 | (8.2) |
| B2011 | 1 5/8" | (41.3) | 1/4"-20 | 14 | (1.9) | 600 | (2.67) | 75 | (.33) | 75 | (.33) | 19 | (8.6) |
| B2005 | 1 3/4" | (44.4) | 5/16"-18 | 12 | (2.6) | 800 | (3.56) | 125 | (.56) | 125 | (.56) | 29 | (13.1) |
| B2012 | 1 7/8" | (47.6) | 5/16"-18 | 12 | (2.6) | 800 | (3.56) | 125 | (.56) | 125 | (.56) | 30 | (13.6) |
| B2037 | 2 | (50.8) | 5/16"-18 | 12 | (2.6) | 800 | (3.56) | 125 | (.56) | 125 | (.56) | 30 | (13.6) |
| B2038 | 2 1/8" | (54.0) | 5/16"-18 | 12 | (2.6) | 800 | (3.56) | 125 | (.56) | 125 | (.56) | 32 | (14.5) |
| B2039 | 2 1/4" | (57.1) | 5/16"-18 | 12 | (2.6) | 800 | (3.56) | 125 | (.56) | 125 | (.56) | 32 | (14.5) |
| B2013 | 2 3/8" | (60.3) | 5/16"-18 | 12 | (2.6) | 800 | (3.56) | 125 | (.56) | 125 | (.56) | 34 | (15.4) |
| B2041 | 2 1/2" | (63.5) | 5/16"-18 | 12 | (2.6) | 800 | (3.56) | 125 | (.56) | 125 | (.56) | 35 | (15.9) |
| B2042 | 2 5/8" | (66.7) | 5/16"-18 | 12 | (2.6) | 800 | (3.56) | 125 | (.56) | 125 | (.56) | 35 | (15.9) |
| B2043 | 2 3/4" | (69.8) | 5/16"-18 | 12 | (2.6) | 800 | (3.56) | 125 | (.56) | 125 | (.56) | 38 | (17.2) |
| B2014 | 2 7/8" | (73.0) | 5/16"-18 | 12 | (2.6) | 800 | (3.56) | 125 | (.56) | 125 | (.56) | 38 | (17.2) |
| B2045 | 3 | (76.2) | 5/16"-18 | 12 | (2.6) | 800 | (3.56) | 125 | (.56) | 125 | (.56) | 38 | (17.2) |
| B2046 | 3 1/8" | (79.4) | 5/16"-18 | 12 | (2.6) | 800 | (3.56) | 125 | (.56) | 125 | (.56) | 39 | (17.7) |
| B2047 | 3 1/4" | (82.5) | 5/16"-18 | 12 | (2.6) | 800 | (3.56) | 125 | (.56) | 125 | (.56) | 41 | (18.6) |
| B2048 | 3 3/8" | (85.7) | 5/16"-18 | 12 | (2.6) | 800 | (3.56) | 125 | (.56) | 125 | (.56) | 43 | (19.5) |
| B2015 | 3 1/2" | (88.9) | 5/16"-18 | 12 | (2.6) | 800 | (3.56) | 125 | (.56) | 125 | (.56) | 44 | (20.0) |
| B2050 | 3 5/8" | (92.1) | 5/16"-18 | 11 | (3.0) | 1000 | (4.45) | 200 | (.89) | 150 | (.67) | 54 | (24.5) |
| B2051 | 3 3/4" | (95.2) | 5/16"-18 | 11 | (3.0) | 1000 | (4.45) | 200 | (.89) | 150 | (.67) | 57 | (25.8) |
| B2052 | 3 7/8" | (98.4) | 5/16"-18 | 11 | (3.0) | 1000 | (4.45) | 200 | (.89) | 150 | (.67) | 55 | (25.0) |
| B2016 | 4 | (101.6) | 5/16"-18 | 11 | (3.0) | 1000 | (4.45) | 200 | (.89) | 150 | (.67) | 57 | (25.8) |
| B2054 | 4 1/8" | (104.8) | 5/16"-18 | 11 | (3.0) | 1000 | (4.45) | 200 | (.89) | 150 | (.67) | 61 | (27.7) |
| B2055 | 4 1/4" | (107.9) | 5/16"-18 | 11 | (3.0) | 1000 | (4.45) | 200 | (.89) | 150 | (.67) | 62 | (28.1) |
| B2056 | 4 3/8" | (111.1) | 5/16"-18 | 11 | (3.0) | 1000 | (4.45) | 200 | (.89) | 150 | (.67) | 64 | (29.0) |
| B2017 | 4 1/2" | (114.3) | 5/16"-18 | 11 | (3.0) | 1000 | (4.45) | 200 | (.89) | 150 | (.67) | 66 | (29.9) |
| B2058 | 4 5/8" | (117.5) | 5/16"-18 | 11 | (3.0) | 1000 | (4.45) | 200 | (.89) | 150 | (.67) | 66 | (29.9) |



Reference page 127 for general fitting and standard finish specifications.

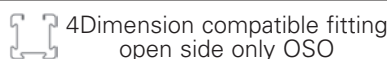
B2000 Series O.D. Pipe and Conduit Clamps

- Safety Factor of 5
- Add PA to suffix for pre-assembled pipe clamps
- Other sizes available upon request
- Includes Combination Recess Hex Head Machine Screw and Square Nut.
- Material: 16 Ga. (1.5), 14 Ga. (1.9), 12 Ga. (2.6) ASTM A1011 33,000 PSI min. yield and 11 Ga. (3.0) ASTM A1011HSLA Gr. 50
- Standard finishes: ZN, HDG, SS4



O.D. Clamps

| Part No. | O.D. Size (in.) | | Hardware Size | Material Gauge Thickness | | Design Load 1 | | Design Load 2 | | Design Load 3 | | Wt./C | |
|----------|----------------------------------|---------|---------------|--------------------------|-------|---------------|--------|---------------|--------|---------------|-------|-------|--------|
| | In. | mm | | In. | mm | Lbs. | kN | Lbs. | kN | Lbs. | kN | Lbs. | kg |
| B2059 | 4 ³ / ₄ " | (120.6) | 5/16"-18 | 11 | (3.0) | 1000 | (4.45) | 200 | (.89) | 150 | (.67) | 68 | (30.8) |
| B2060 | 4 ⁷ / ₈ " | (123.8) | 5/16"-18 | 11 | (3.0) | 1000 | (4.45) | 200 | (.89) | 150 | (.67) | 69 | (31.3) |
| B2018 | 5 | (127.0) | 5/16"-18 | 11 | (3.0) | 1000 | (4.45) | 200 | (.89) | 150 | (.67) | 70 | (31.8) |
| B2062 | 5 ¹ / ₈ " | (130.2) | 5/16"-18 | 11 | (3.0) | 1000 | (4.45) | 200 | (.89) | 150 | (.67) | 70 | (31.8) |
| B2063 | 5 ¹ / ₄ " | (133.3) | 5/16"-18 | 11 | (3.0) | 1000 | (4.45) | 200 | (.89) | 150 | (.67) | 70 | (31.8) |
| B2064 | 5 ³ / ₈ " | (136.5) | 5/16"-18 | 11 | (3.0) | 1000 | (4.45) | 200 | (.89) | 150 | (.67) | 77 | (34.9) |
| B2019 | 5 ¹ / ₂ " | (139.7) | 5/16"-18 | 11 | (3.0) | 1000 | (4.45) | 200 | (.89) | 150 | (.67) | 78 | (35.4) |
| B2066 | 5 ⁵ / ₈ " | (142.9) | 3/8"-16 | 11 | (3.0) | 1000 | (4.45) | 200 | (.89) | 150 | (.67) | 83 | (37.6) |
| B2067 | 5 ³ / ₄ " | (146.0) | 3/8"-16 | 11 | (3.0) | 1000 | (4.45) | 200 | (.89) | 150 | (.67) | 84 | (38.1) |
| B2068 | 5 ⁷ / ₈ " | (149.2) | 3/8"-16 | 11 | (3.0) | 1000 | (4.45) | 200 | (.89) | 150 | (.67) | 85 | (38.6) |
| B2069 | 6" | (152.4) | 3/8"-16 | 11 | (3.0) | 1000 | (4.45) | 200 | (.89) | 150 | (.67) | 87 | (39.5) |
| B2110 | 6 ¹ / ₈ " | (155.6) | 3/8"-16 | 11 | (3.0) | 1000 | (4.45) | 250 | (1.11) | 200 | (.89) | 94 | (42.6) |
| B2111 | 6 ¹ / ₄ " | (158.7) | 3/8"-16 | 11 | (3.0) | 1000 | (4.45) | 250 | (1.11) | 200 | (.89) | 96 | (43.5) |
| B2112 | 6 ³ / ₈ " | (161.9) | 3/8"-16 | 11 | (3.0) | 1000 | (4.45) | 250 | (1.11) | 200 | (.89) | 98 | (44.4) |
| B2113 | 6 ¹ / ₂ " | (165.1) | 3/8"-16 | 11 | (3.0) | 1000 | (4.45) | 250 | (1.11) | 200 | (.89) | 99 | (44.9) |
| B2020 | 6 ⁵ / ₈ " | (168.3) | 3/8"-16 | 11 | (3.0) | 1000 | (4.45) | 250 | (1.11) | 200 | (.89) | 100 | (45.4) |
| B2115 | 6 ³ / ₄ " | (171.4) | 3/8"-16 | 11 | (3.0) | 1000 | (4.45) | 250 | (1.11) | 200 | (.89) | 102 | (46.3) |
| B2116 | 6 ⁷ / ₈ " | (174.6) | 3/8"-16 | 11 | (3.0) | 1000 | (4.45) | 250 | (1.11) | 200 | (.89) | 104 | (47.2) |
| B2117 | 7" | (177.8) | 3/8"-16 | 11 | (3.0) | 1000 | (4.45) | 250 | (1.11) | 200 | (.89) | 106 | (48.1) |
| B2118 | 7 ¹ / ₈ " | (181.0) | 3/8"-16 | 11 | (3.0) | 1000 | (4.45) | 250 | (1.11) | 200 | (.89) | 108 | (49.0) |
| B2119 | 7 ¹ / ₄ " | (184.1) | 3/8"-16 | 11 | (3.0) | 1000 | (4.45) | 250 | (1.11) | 200 | (.89) | 110 | (49.9) |
| B2120 | 7 ³ / ₈ " | (187.3) | 3/8"-16 | 11 | (3.0) | 1000 | (4.45) | 250 | (1.11) | 200 | (.89) | 112 | (50.8) |
| B2121 | 7 ¹ / ₂ " | (190.5) | 3/8"-16 | 11 | (3.0) | 1000 | (4.45) | 250 | (1.11) | 200 | (.89) | 114 | (51.7) |
| B2021 | 7 ⁵ / ₈ " | (193.7) | 3/8"-16 | 11 | (3.0) | 1000 | (4.45) | 250 | (1.11) | 200 | (.89) | 115 | (52.2) |
| B2123 | 7 ³ / ₄ " | (196.8) | 3/8"-16 | 11 | (3.0) | 1000 | (4.45) | 250 | (1.11) | 200 | (.89) | 117 | (53.1) |
| B2124 | 7 ⁷ / ₈ " | (200.0) | 3/8"-16 | 11 | (3.0) | 1000 | (4.45) | 250 | (1.11) | 200 | (.89) | 119 | (54.0) |
| B2125 | 8" | (203.2) | 3/8"-16 | 11 | (3.0) | 1000 | (4.45) | 250 | (1.11) | 200 | (.89) | 121 | (54.9) |
| B2126 | 8 ¹ / ₈ " | (206.4) | 3/8"-16 | 11 | (3.0) | 1000 | (4.45) | 250 | (1.11) | 200 | (.89) | 123 | (55.8) |
| B2127 | 8 ¹ / ₄ " | (209.5) | 3/8"-16 | 11 | (3.0) | 1000 | (4.45) | 250 | (1.11) | 200 | (.89) | 125 | (56.7) |
| B2128 | 8 ³ / ₈ " | (212.7) | 3/8"-16 | 11 | (3.0) | 1000 | (4.45) | 250 | (1.11) | 200 | (.89) | 126 | (57.2) |
| B2129 | 8 ¹ / ₂ " | (215.9) | 3/8"-16 | 11 | (3.0) | 1000 | (4.45) | 250 | (1.11) | 200 | (.89) | 128 | (58.1) |
| B2022 | 8 ⁵ / ₈ " | (219.1) | 3/8"-16 | 11 | (3.0) | 1000 | (4.45) | 250 | (1.11) | 200 | (.89) | 128 | (58.1) |
| B2130 | 10 ³ / ₄ " | (273.0) | 3/8"-16 | 11 | (3.0) | 1000 | (4.45) | 250 | (1.11) | 200 | (.89) | 160 | (72.6) |
| B2132 | 12 ³ / ₄ " | (323.8) | 3/8"-16 | 11 | (3.0) | 1000 | (4.45) | 250 | (1.11) | 200 | (.89) | 185 | (83.9) |



Reference page 127 for general fitting and standard finish specifications.