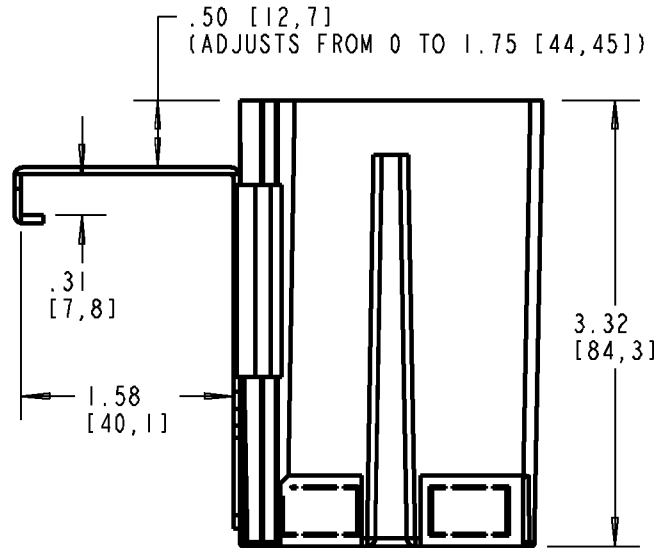
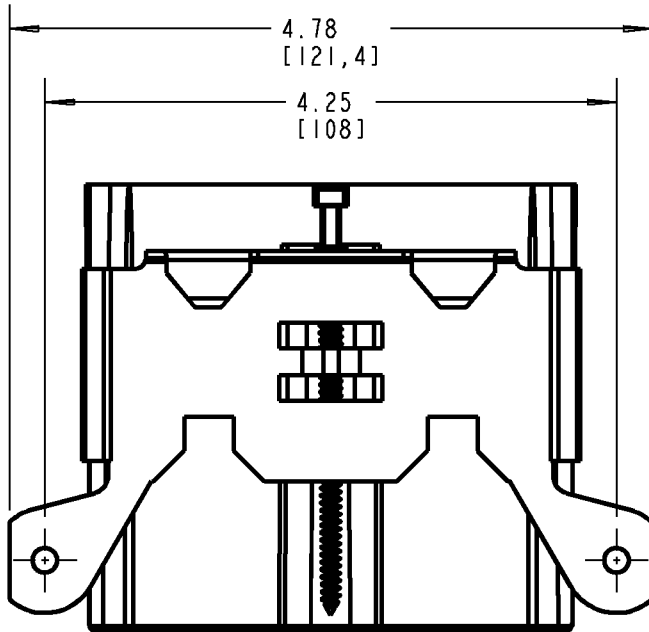
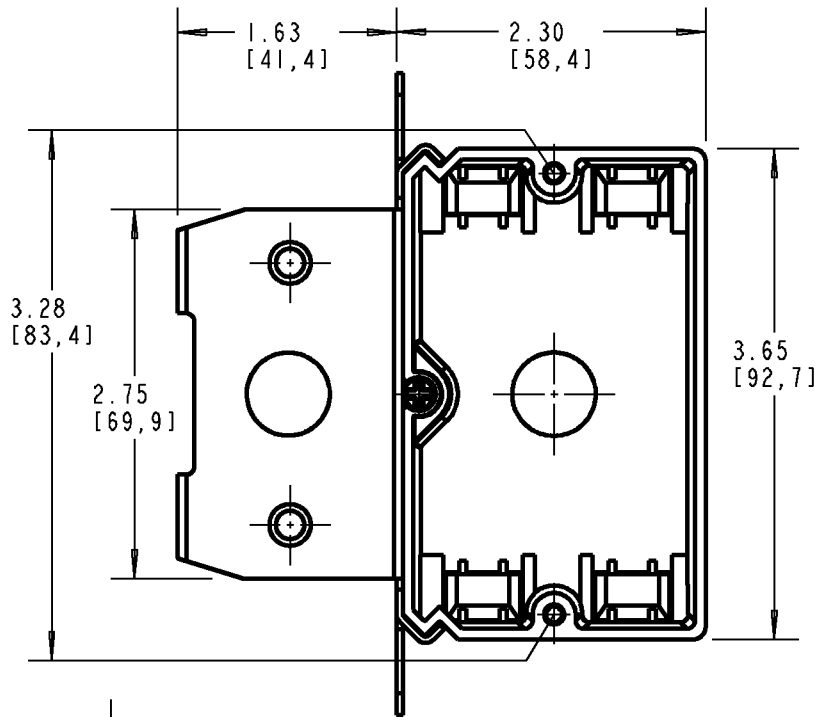
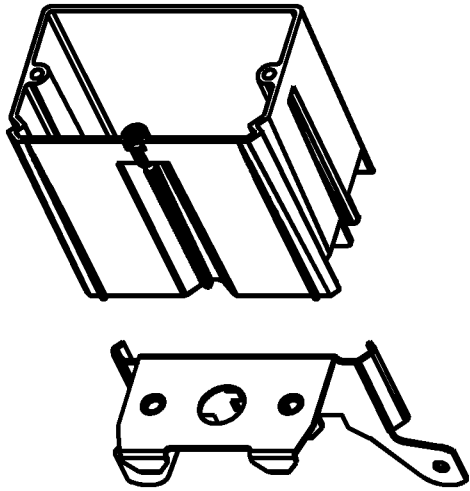


# Carlton®



**NOTE:**

THE ADJUST-A-BOX STEEL BRACKET IS DESIGNED TO BE USED ON EITHER STANDARD 2X4 WOOD STUDS (1 1/2" x 3 1/2") OR METAL STUDS WITH THOSE SAME DIMENSIONS.

P/N B121ADJ

**GENERAL NOTES**

1. ALL DIMENSIONS ARE FOR REFERENCE ONLY.
2. DIMENSIONS IN BRACKETS [ ] ARE IN METRIC UNITS.

**REVISIONS**

**B** SEE ERN 2014282 FOR APPROVAL SIGNATURES & RELEASE DATE.  
PROJECT NO: NM400330

**Thomas & Betts**  
www.tnb.com

DESCRIPTION: **1 GANG ADJUSTABLE OUTLET BOX**

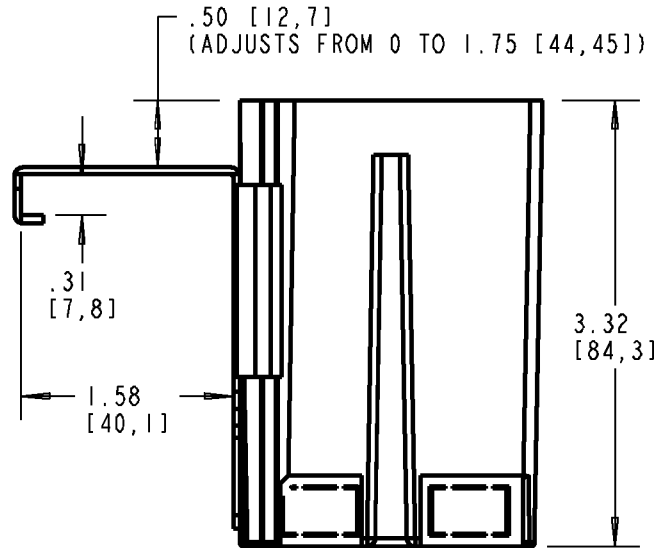
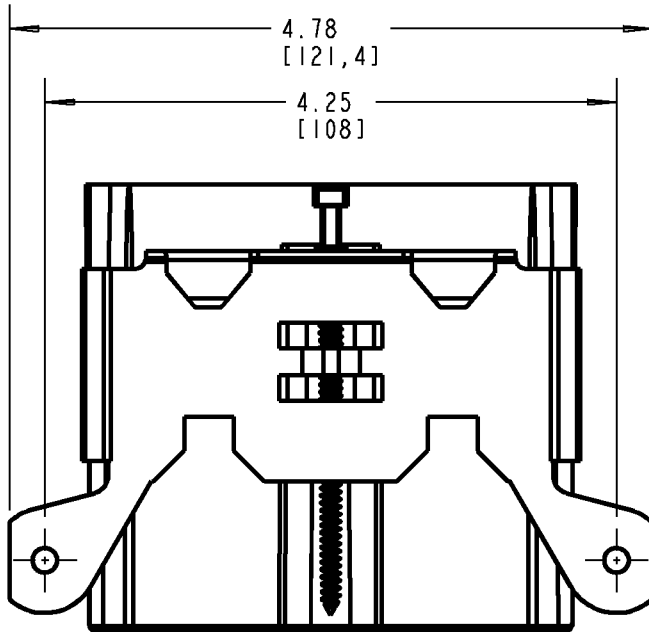
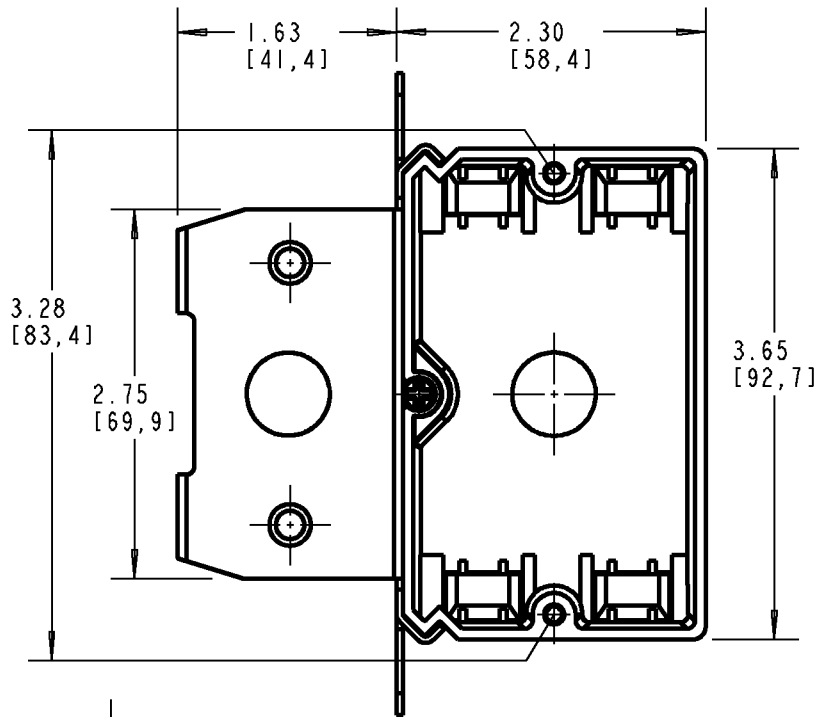
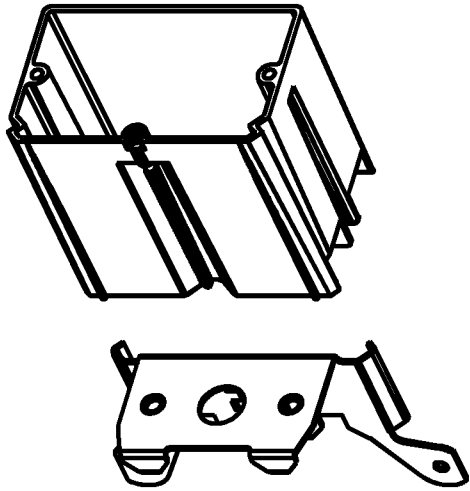
ORIGINAL PROJECT NO / ( ERN NO )  
/ ( )

SHEET NO:  
**1 OF 1**

REV. NO:  
**B**

DRAWING NO:  
**WSD-AC04184**

# Carlton®



**NOTE:**

THE ADJUST-A-BOX STEEL BRACKET IS DESIGNED TO BE USED ON EITHER STANDARD 2X4 WOOD STUDS (1 1/2" x 3 1/2") OR METAL STUDS WITH THOSE SAME DIMENSIONS.

P/N B121ADJ

**GENERAL NOTES**

1. ALL DIMENSIONS ARE FOR REFERENCE ONLY.
2. DIMENSIONS IN BRACKETS [ ] ARE IN METRIC UNITS.

**REVISIONS**

**B** SEE ERN 2014282 FOR APPROVAL SIGNATURES & RELEASE DATE.  
PROJECT NO: NM400330

**Thomas & Betts**  
www.tnb.com

DESCRIPTION: **1 GANG ADJUSTABLE OUTLET BOX**

ORIGINAL PROJECT NO / ( ERN NO )

/ ( )

SHEET NO:

1 OF 1

REV. NO:

**B**

DRAWING NO:

**WSD-AC04184**