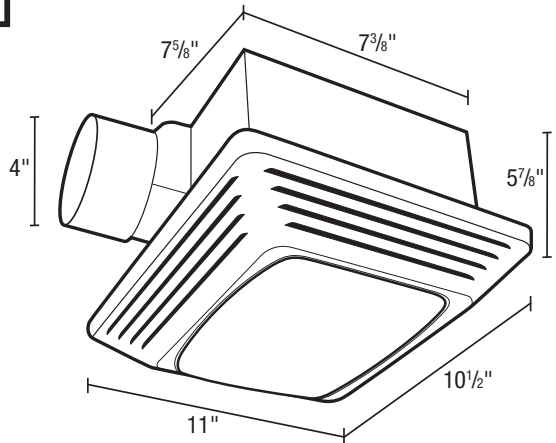




SPECIFICATIONS
ASLC50
EXHAUST FAN WITH LIGHT

HVI 2100 CERTIFIED 50 CFM/3.0 Sones @ 0.10" SP.

- **Grill**
White, polymeric grill secured in place via screw mounting through the light housing, dimensions - 11" x 10 1/2".
- **Light Lens**
High impact polycarbonate lens, secured in position using integral tabs: easily removed if necessary.
- **Light Housing**
Heavy gauge cold rolled steel c/w baked enamel finish; locks in place on the grill via two integral tabs.
- **Blower Wheel**
One piece polymeric wheel, 4 1/2" diameter, 1" wide, with 10 fins.
- **Motor**
PSC, plug-in, 4 pole motor, life time lubrication, thermally protected. Rated 120 volts, 60 Hz.
- **Fan Housing**
23 ga. Galvanized metal housing, dimensions 7 3/8" x 7 5/8" x 5 7/8", double metal thickness mounting tabs.
- **Duct Collar**
Plastic collar for 4" duct connection, comes complete with built in non-metallic back draft damper for quiet operation.
- **Ventilating Area**
For bathrooms up to 45 sq. ft. for other rooms up to 60 sq. ft.
- **Lighting**
26W medium base fluorescent lamp (100W type A19 incandescent bulb can also be used) (lamps not included)



Acceptable for use over tub or shower when installed in a GFCI protected branch circuit.



- **Unit Mounting**
Rated Type IC for ceilings insulated to R-40. Designed to mount in ceilings with at least 6" of clearance. The unit will mount using the supplied mounting bars with a rough in opening of 7 3/8" x 7 5/8". The housing will mount through drywall thickness up to 3/4".
- **Single Pack Shipping Info**
Box Dim: 11 1/2" x 13 1/4" x 9 1/2"
Shipping Weight: 6 lbs.

EXPANDED PERFORMANCE											
	<i>Static Pressure (inches of w.g.)</i>							<i>Sones @ .1 SP</i>	<i>Fan Speed RPM</i>	<i>Maximum Fan Watts</i>	<i>Amps</i>
	0	0.05	0.1	0.125	0.15	0.2	0.25				
Air Flow - CFM	55	53	50	49	47	44	39	3.0	2125	48	1.4

PROJECT					ARCHITECT				
LOCATION					ENGINEER				
CONTRACTOR					SUBMITTED BY				DATE
FAN NUMBER	MODEL NUMBER	CFM	IN W.G.	RPM	WATTS	AMPS	SONES	QTY	OPTIONAL EQUIPMENT & REMARKS



U.S.: 820 Lincoln Avenue
West Chester, Pennsylvania 19380-4466
Tel: (610) 692-7400 • 877-304-3785
Fax: (610) 696-8048

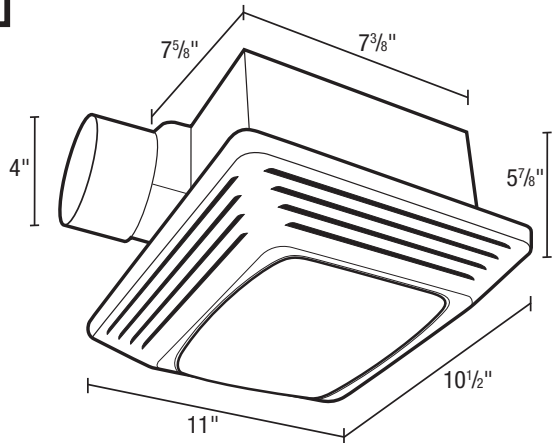
Canada:
Brampton, Ontario
Tel: 800-250-8767
Fax: (905) 456-1015



SPECIFICATIONS
ASLC50
EXHAUST FAN WITH LIGHT

HVI 2100 CERTIFIED **50 CFM/3.0 Sones @ 0.10" SP.**

- **Grill**
White, polymeric grill secured in place via screw mounting through the light housing, dimensions - 11" x 10 1/2".
- **Light Lens**
High impact polycarbonate lens, secured in position using integral tabs: easily removed if necessary.
- **Light Housing**
Heavy gauge cold rolled steel c/w baked enamel finish; locks in place on the grill via two integral tabs.
- **Blower Wheel**
One piece polymeric wheel, 4 1/2" diameter, 1" wide, with 10 fins.
- **Motor**
PSC, plug-in, 4 pole motor, life time lubrication, thermally protected. Rated 120 volts, 60 Hz.
- **Fan Housing**
23 ga. Galvanized metal housing, dimensions 7 3/8" x 7 5/8" x 5 7/8", double metal thickness mounting tabs.
- **Duct Collar**
Plastic collar for 4" duct connection, comes complete with built in non-metallic back draft damper for quiet operation.
- **Ventilating Area**
For bathrooms up to 45 sq. ft. for other rooms up to 60 sq. ft.
- **Lighting**
26W medium base fluorescent lamp (100W type A19 incandescent bulb can also be used) (lamps not included)



Acceptable for use over tub or shower when installed in a GFCI protected branch circuit.



- **Unit Mounting**
Rated Type IC for ceilings insulated to R-40. Designed to mount in ceilings with at least 6" of clearance. The unit will mount using the supplied mounting bars with a rough in opening of 7 3/8" x 7 5/8". The housing will mount through drywall thickness up to 3/4".
- **Single Pack Shipping Info**
Box Dim: 11 1/2" x 13 1/4" x 9 1/2"
Shipping Weight: 6 lbs.

EXPANDED PERFORMANCE											
	<i>Static Pressure (inches of w.g.)</i>							<i>Sones @ .1 SP</i>	<i>Fan Speed RPM</i>	<i>Maximum Fan Watts</i>	<i>Amps</i>
	0	0.05	0.1	0.125	0.15	0.2	0.25				
Air Flow - CFM	55	53	50	49	47	44	39	3.0	2125	48	1.4

PROJECT							ARCHITECT				
LOCATION							ENGINEER				
CONTRACTOR							SUBMITTED BY			DATE	
FAN NUMBER	MODEL NUMBER	CFM	IN W.G.	RPM	WATTS	AMPS	SONES	QTY	OPTIONAL EQUIPMENT & REMARKS		



U.S.: 820 Lincoln Avenue
West Chester, Pennsylvania 19380-4466
Tel: (610) 692-7400 • 877-304-3785
Fax: (610) 696-8048

Canada:
Brampton, Ontario
Tel: 800-250-8767
Fax: (905) 456-1015