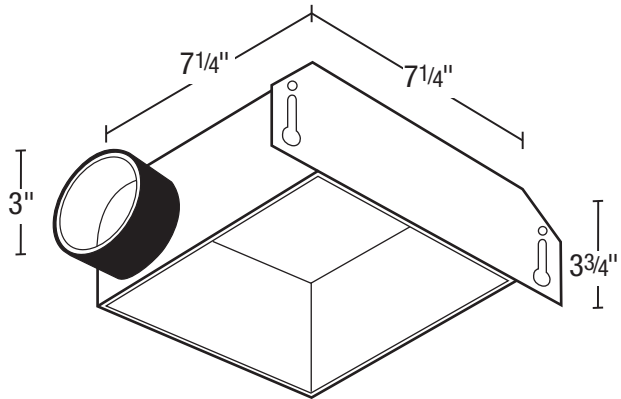




SPECIFICATIONS  
**ASHSG**  
 EXHAUST FAN HOUSING

**Exhaust Fan Housing**

- **Fan Housing**  
 23 gauge galvanized metal housing.  
 Dimensions 7 1/4" x 7 1/4" x 3 3/4".
- **Duct Collar**  
 Plastic collar for 3" duct connection, comes complete with built in non-metallic back draft damper for quiet operation.
- **Unit Mounting**  
 Rated for ceilings insulated to R-40. Designed to mount in ceilings or walls with at least 4" of clearance. The housing will mount through drywall thickness up to 3/4", with a rough-in opening of 7 1/2" x 7 1/2".
- **Electrical Connections**  
 1/2" electrical knockouts provided.
- **Available Trim Kits**  
**AS50MBG:** 50 CFM  
**AS60MBG:** 60 CFM  
**AS70MBG:** 70 CFM
- **Shipping Info**  
 Number of Housings in Box: 6  
 UPC Code: 083162222619



**Housing ONLY. Must be combined with ASMBG series trim kit (sold separately)**

<b>PROJECT</b>					<b>ARCHITECT</b>				
<b>LOCATION</b>					<b>ENGINEER</b>				
<b>CONTRACTOR</b>					<b>SUBMITTED BY</b>			<b>DATE</b>	
FAN NUMBER	MODEL NUMBER	CFM	IN W.G.	RPM	WATTS	AMPS	SONES	QTY	OPTIONAL EQUIPMENT & REMARKS



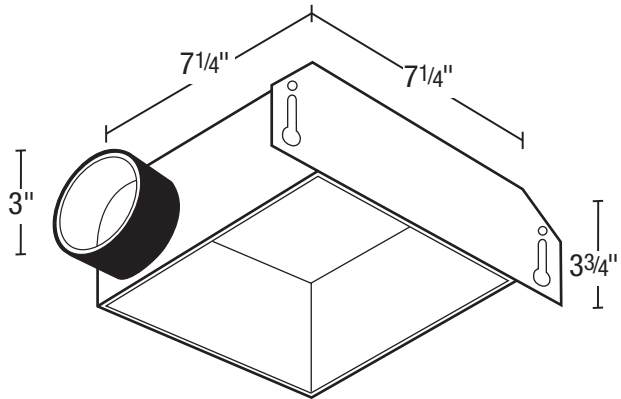
820 Lincoln Avenue  
 West Chester, Pennsylvania 19380-4466  
 Tel: (610) 692-7400 • 877-304-3785  
 Fax: (610) 696-8048



SPECIFICATIONS  
**ASHSG**  
 EXHAUST FAN HOUSING

**Exhaust Fan Housing**

- **Fan Housing**  
 23 gauge galvanized metal housing.  
 Dimensions 7 1/4" x 7 1/4" x 3 3/4".
- **Duct Collar**  
 Plastic collar for 3" duct connection, comes complete with built in non-metallic back draft damper for quiet operation.
- **Unit Mounting**  
 Rated for ceilings insulated to R-40. Designed to mount in ceilings or walls with at least 4" of clearance. The housing will mount through drywall thickness up to 3/4", with a rough-in opening of 7 1/2" x 7 1/2".
- **Electrical Connections**  
 1/2" electrical knockouts provided.
- **Available Trim Kits**  
**AS50MBG:** 50 CFM  
**AS60MBG:** 60 CFM  
**AS70MBG:** 70 CFM
- **Shipping Info**  
 Number of Housings in Box: 6  
 UPC Code: 083162222619



**Housing ONLY. Must be combined with ASMBG series trim kit (sold separately)**

<b>PROJECT</b>					<b>ARCHITECT</b>				
<b>LOCATION</b>					<b>ENGINEER</b>				
<b>CONTRACTOR</b>					<b>SUBMITTED BY</b>			<b>DATE</b>	
FAN NUMBER	MODEL NUMBER	CFM	IN W.G.	RPM	WATTS	AMPS	SONES	QTY	OPTIONAL EQUIPMENT & REMARKS



820 Lincoln Avenue  
 West Chester, Pennsylvania 19380-4466  
 Tel: (610) 692-7400 • 877-304-3785  
 Fax: (610) 696-8048