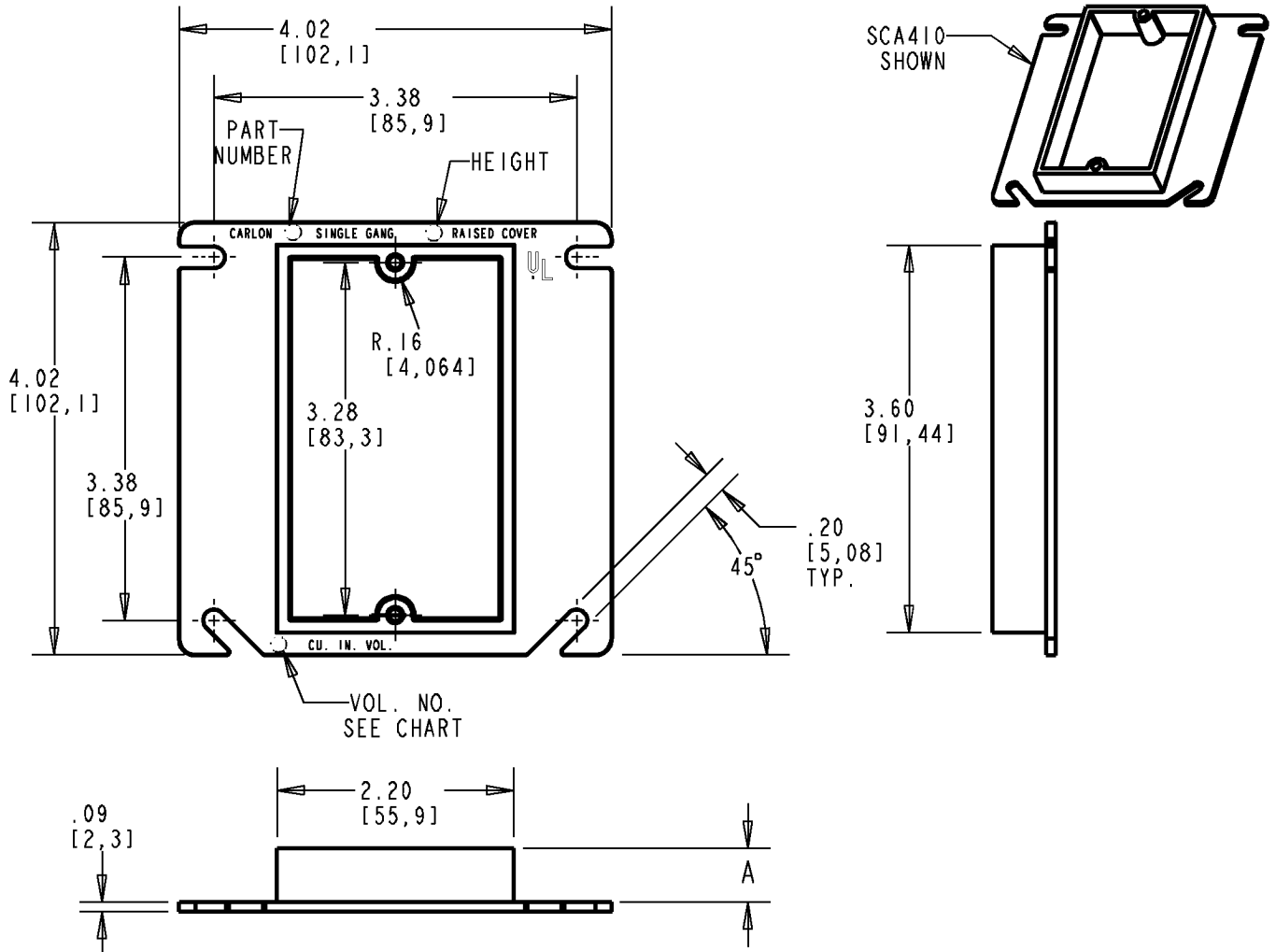


Carlton®



PART NUMBER	DIM "A"	VOLUME (CU. IN.)	MATERIAL
A410 A410R-CAR	.50 [13]	3.5	PVC - BLUE
A411 A411RR	.63 [16]	4.2	
A412	.75 [19]	5.0	
A413 A413R-CAR	1.00 [25]	6.6	
A414	1.25 [32]	8.1	
SCA410	.50 [13]	3.5	PVC - ORANGE

GENERAL NOTES

- ALL DIMENSIONS ARE FOR REFERENCE ONLY.
- DIMENSIONS IN BRACKETS [] ARE IN METRIC UNITS.

REVISIONS

*** SEE ERN (****) FOR APPROVAL SIGNATURES & RELEASE DATE.
PROJECT NO: ****

Thomas & Betts
www.tnb.com

DESCRIPTION: **1 GANG RAISED 4" SQ. COVER**

ORIGINAL PROJECT NO / (ERN NO)

/ ()

SHEET NO:

1 OF 1

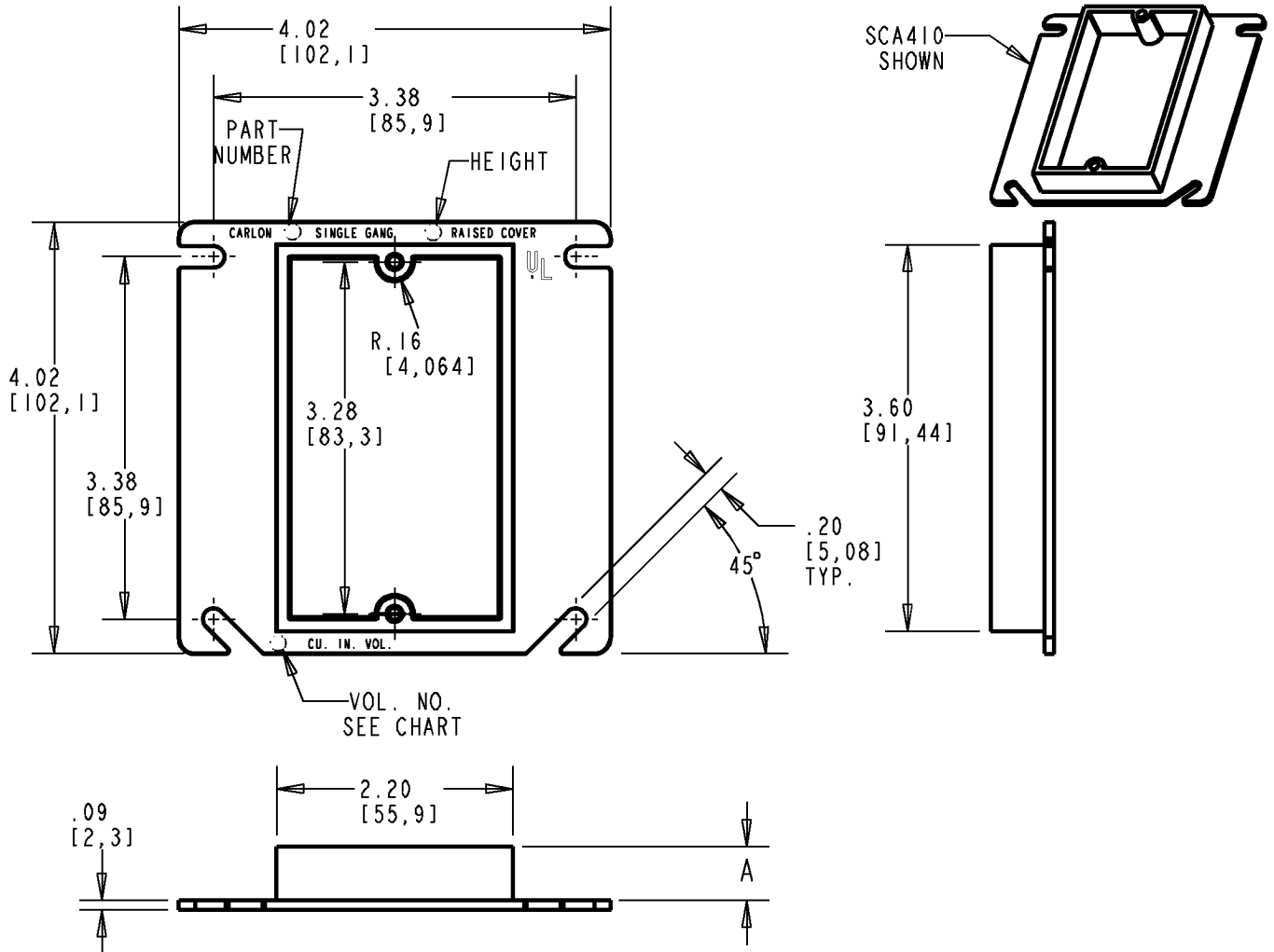
REV. NO:

A

DRAWING NO:

WSD-AC04868

Carlton®



PART NUMBER	DIM "A"	VOLUME (CU. IN.)	MATERIAL
A410 A410R-CAR	.50 [13]	3.5	PVC - BLUE
A411 A411RR	.63 [16]	4.2	
A412	.75 [19]	5.0	
A413 A413R-CAR	1.00 [25]	6.6	
A414	1.25 [32]	8.1	
SCA410	.50 [13]	3.5	PVC - ORANGE

GENERAL NOTES

- ALL DIMENSIONS ARE FOR REFERENCE ONLY.
- DIMENSIONS IN BRACKETS [] ARE IN METRIC UNITS.

REVISIONS

*** SEE ERN (****) FOR APPROVAL SIGNATURES & RELEASE DATE.
PROJECT NO: ****

Thomas & Betts
www.tnb.com

DESCRIPTION: **1 GANG RAISED 4" SQ. COVER**

ORIGINAL PROJECT NO / (ERN NO)
/ ()

SHEET NO:
1 OF 1

REV. NO:
A

DRAWING NO:
WSD-AC04868