

## Specifications

### GENERAL

H-STRUT General Fittings are designed to fit with all H-STRUT 1<sup>5</sup>/<sub>8</sub>" wide channels. All H-STRUT fittings are manufactured from 1/4" thick carbon steel, 1<sup>5</sup>/<sub>8</sub>" wide, all holes are 9/16" diameter, spaced 1<sup>7</sup>/<sub>8</sub>" on center and 1<sup>3</sup>/<sub>16</sub>" from the end.

The more popular fittings are illustrated on the following pages. However, there are hundreds of other fittings available. Please contact the factory for any other fittings you may need for specific applications.

### ORDERING

Please specify catalog number and finish.

### MATERIAL

H-STRUT fittings are manufactured from the following material:

Hot Rolled Steel Sheet . . . . .	ASTM A-1011
Cold Rolled Steel Sheet . . . . .	ASTM A-1008
Stainless Steel-Type 304/316 . . . . .	ASTM A-240
Aluminum Fitting . . . . .	ASTM B-221

### FINISHES

H-STRUT fittings are available in the following finishes: (See technical section for additional information)

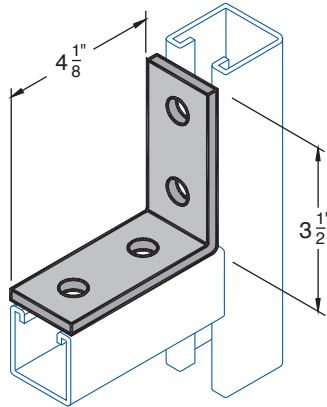
Electro Galvanized . . . . .	ASTM B-633
Hot Dipped Galvanized . . . . .	ASTM A-123
Zinc Trivalent Chromium . . . . .	ASTM B-633-85
Powder Coated Supr-Green . . . . .	ASTM B-117
PVC Coating - Available Upon Request	

## ANGLE BRACKETS

### A-311

Four Hole Angle

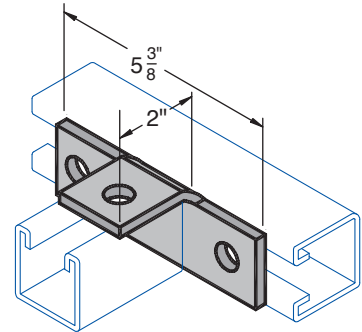
Wt. 78#/C



### A-312

Four Hole 90°  
T-Plate Angle

Wt. 77#/C

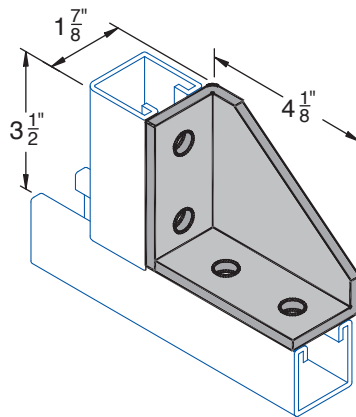


### A-318-L (left hand)

A-318-R (right hand shown)

Shelf Bracket

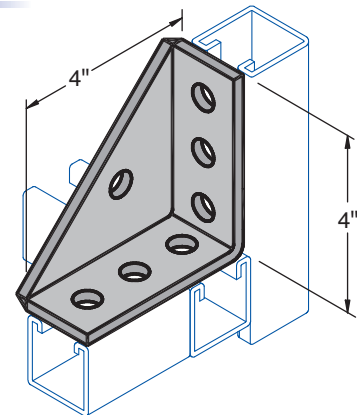
Wt. 138#/C



### A-335

Universal Shelf  
Bracket

Wt. 132#/C

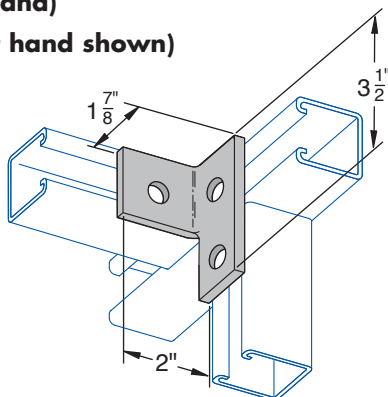


### A-330-L (left hand)

A-330-R (right hand shown)

Three Hole  
90° Angle

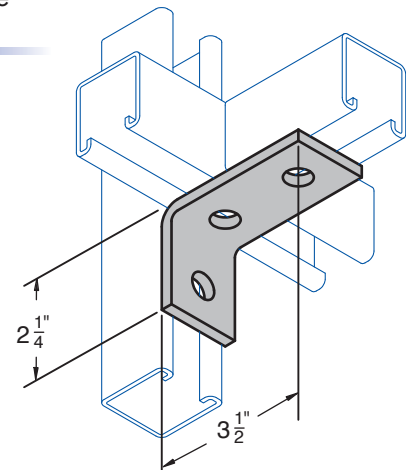
Wt. 54#/C



### A-307

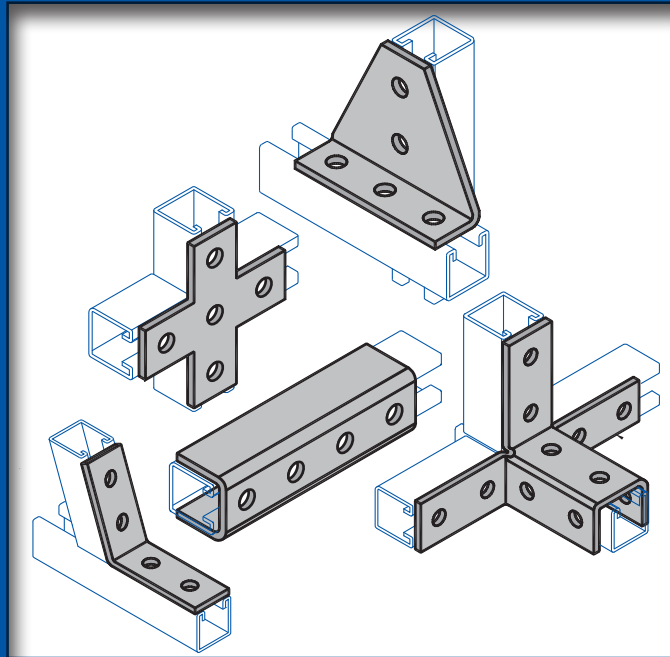
Three Hole Angle  
Bracket

Wt. 57#/C



**Page Notes:** 1/4" thick, 1 5/8" wide, holes 9/16" dia., spaced 1 7/8" on center and 1 3/16" from end.

**Finish:** Electro-galvanized



## Specifications

### GENERAL

H-STRUT General Fittings are designed to fit with all H-STRUT 1<sup>5</sup>/<sub>8</sub>" wide channels. All H-STRUT fittings are manufactured from 1/4" thick carbon steel, 1<sup>5</sup>/<sub>8</sub>" wide, all holes are 9/16" diameter, spaced 1<sup>7</sup>/<sub>8</sub>" on center and 1<sup>3</sup>/<sub>16</sub>" from the end.

The more popular fittings are illustrated on the following pages. However, there are hundreds of other fittings available. Please contact the factory for any other fittings you may need for specific applications.

### ORDERING

Please specify catalog number and finish.

### MATERIAL

H-STRUT fittings are manufactured from the following material:

- Hot Rolled Steel Sheet . . . . .ASTM A-1011
- Cold Rolled Steel Sheet . . . . .ASTM A-1008
- Stainless Steel-Type 304/316. . . . .ASTM A-240
- Aluminum Fitting. . . . .ASTM B-221

### FINISHES

H-STRUT fittings are available in the following finishes: (See technical section for additional information)

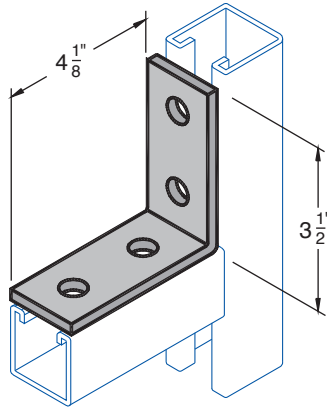
- Electro Galvanized . . . . .ASTM B-633
- Hot Dipped Galvanized . . . . .ASTM A-123
- Zinc Trivalent Chromium . . . . .ASTM B-633-85
- Powder Coated Supr-Green. . . . .ASTM B-117
- PVC Coating - Available Upon Request

## ANGLE BRACKETS

### A-311

Four Hole Angle

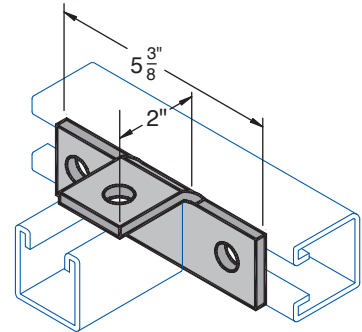
Wt. 78#/C



### A-312

Four Hole 90°  
T-Plate Angle

Wt. 77#/C

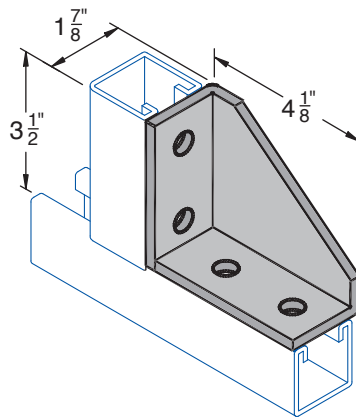


### A-318-L (left hand)

A-318-R (right hand shown)

Shelf Bracket

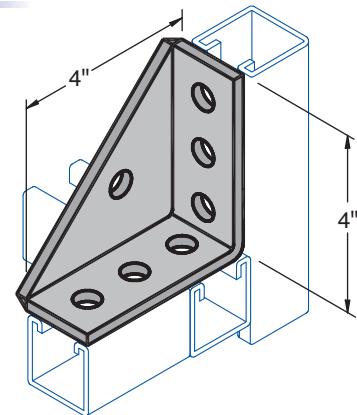
Wt. 138#/C



### A-335

Universal Shelf  
Bracket

Wt. 132#/C

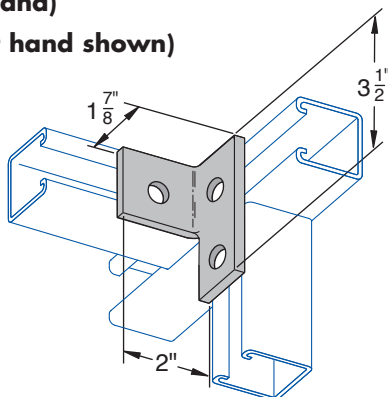


### A-330-L (left hand)

A-330-R (right hand shown)

Three Hole  
90° Angle

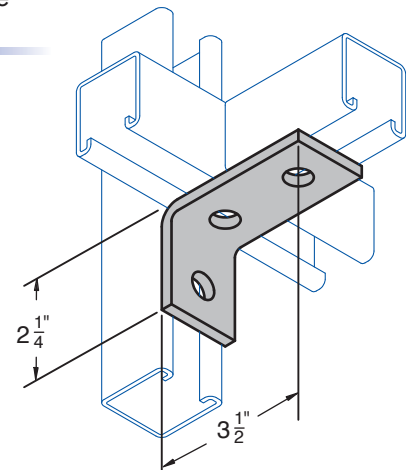
Wt. 54#/C



### A-307

Three Hole Angle  
Bracket

Wt. 57#/C



**Page Notes:** 1/4" thick, 1 5/8" wide, holes 9/16" dia., spaced 1 7/8" on center and 1 3/16" from end.

**Finish:** Electro-galvanized