

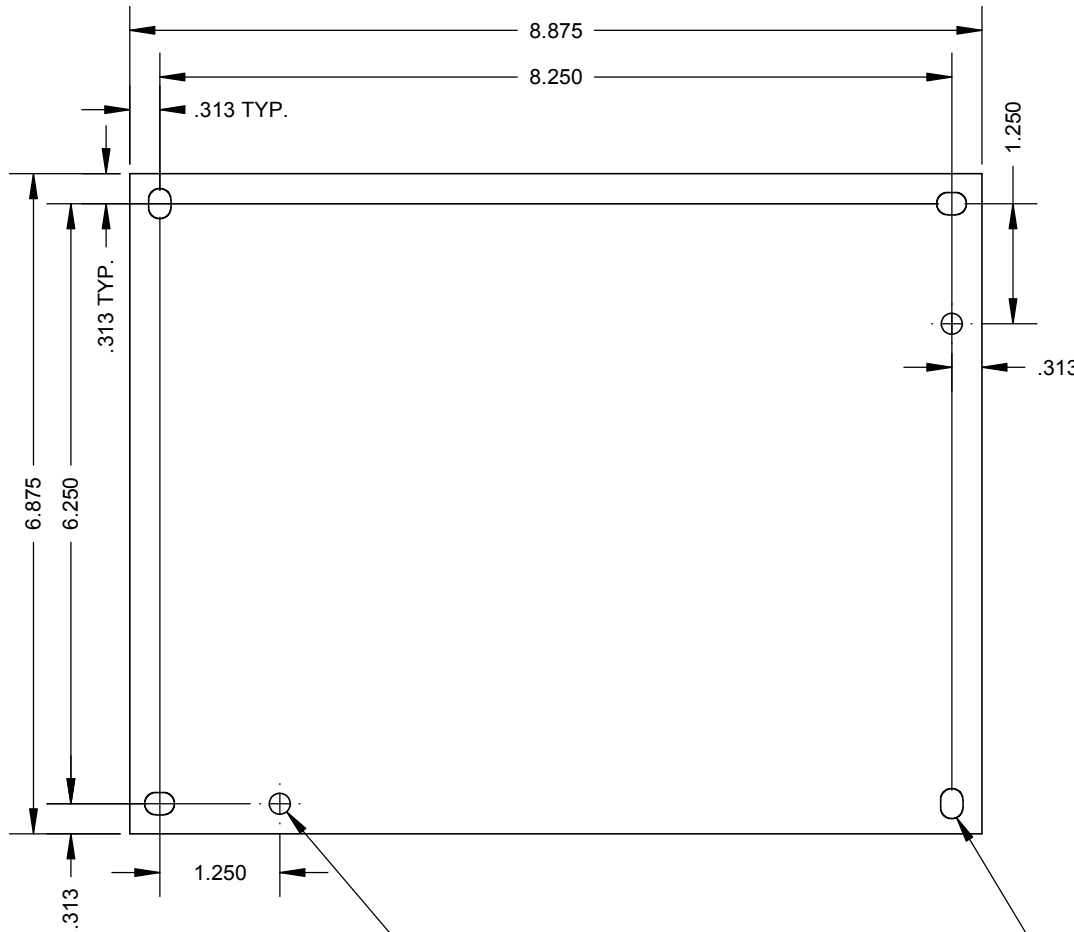


Catalog Number: A-108SBP  
Item Description: STEEL PANELS  
UPC Code: 784572172234

Brand Name: Milbank  
Type: Panel for Mounting Electronic Controls  
Application: Enclosure Accessory  
Material: Steel  
Shape: Rectangle  
Color: White  
Mounting: Stud Mount

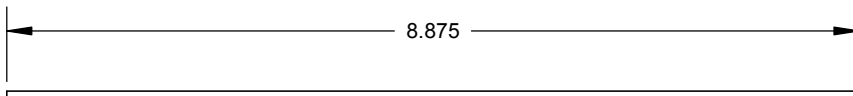
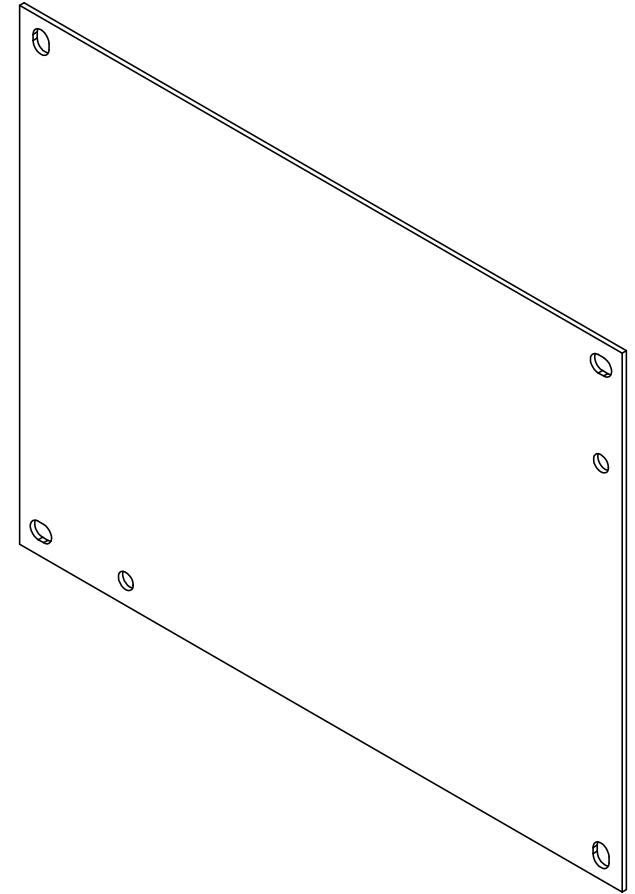



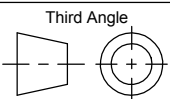
*Utility requirements may vary. Always consult the serving utility for their requirements prior to ordering or installing this equipment. This product must always be installed by a licensed electrician. Installation of this equipment may require local electrical inspector approval.*



Ø.219 GROUND HOLE  
2 PLACES

.235 X .313 MOUNTING HOLE  
4 PLACES



Material:	16 GA. GALV. STEEL	 <b>MILBANK</b> <small>ENERGY AT WORK</small>	General Offices: Kansas City, MO							
Finish:	PAINTED WHITE		Title:	ENCLOSURE BACK PANEL 10 x 8						
Tolerances: Unless Specified Otherwise X.X ±.1 X.XX ±.03 X.XXX ±.015 X° ±2°		 Third Angle Projection		Catalog No.:	A-108SBP					
		Ref:		Drawing No.:	<b>1012340</b>					
**	6/20/14	FIRST RELEASE	AJS	Scale:	NTS	Checked By:	Date:	6/20/14	Sheet	1 of 1
				Drawn By:	AJS	Approved By:				

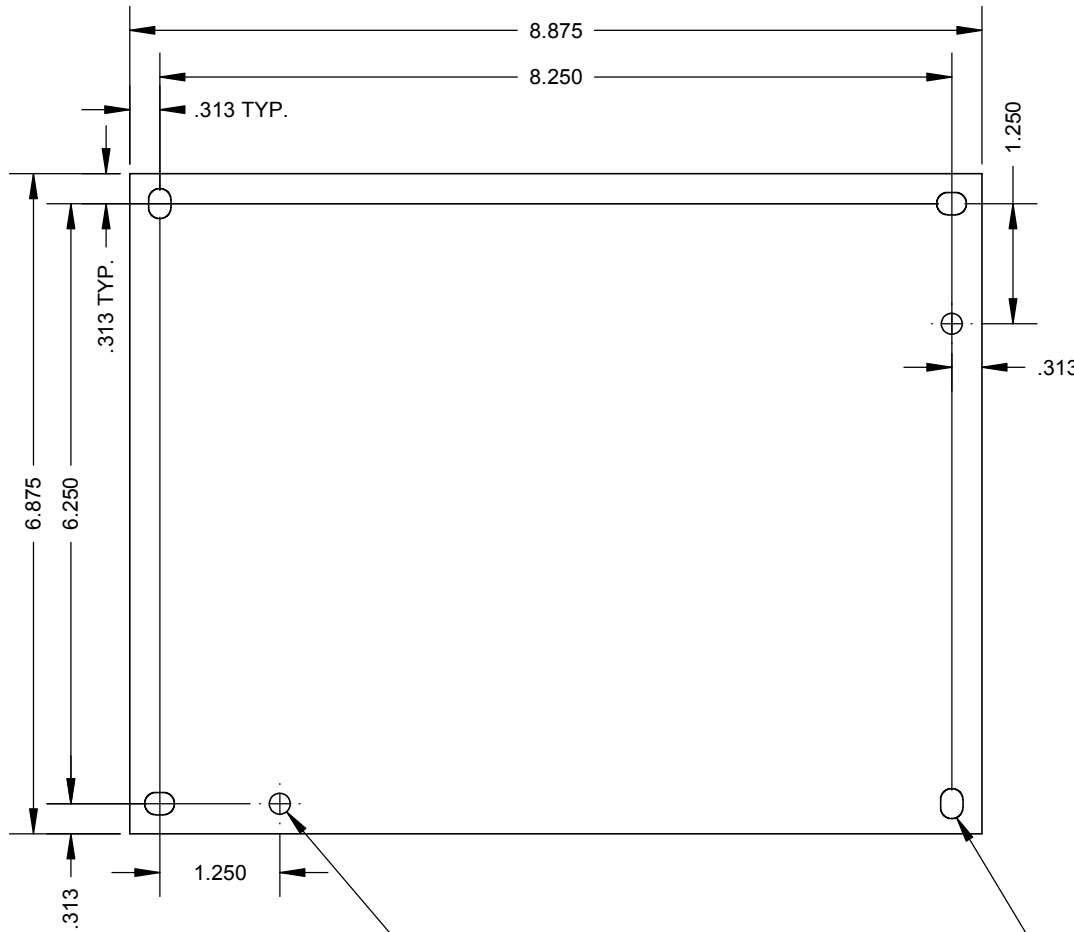


Catalog Number: A-108SBP  
Item Description: STEEL PANELS  
UPC Code: 784572172234

Brand Name: Milbank  
Type: Panel for Mounting Electronic Controls  
Application: Enclosure Accessory  
Material: Steel  
Shape: Rectangle  
Color: White  
Mounting: Stud Mount

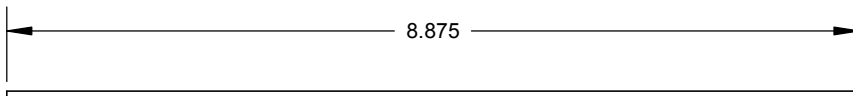
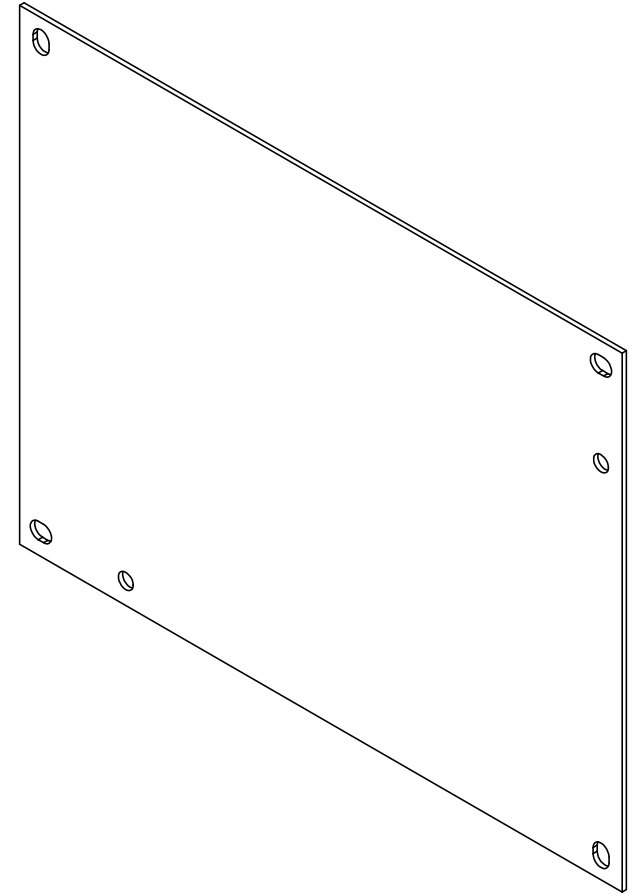



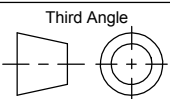
*Utility requirements may vary. Always consult the serving utility for their requirements prior to ordering or installing this equipment. This product must always be installed by a licensed electrician. Installation of this equipment may require local electrical inspector approval.*



Ø.219 GROUND HOLE  
2 PLACES

.235 X .313 MOUNTING HOLE  
4 PLACES



Material:	16 GA. GALV. STEEL	 <b>MILBANK</b> <small>ENERGY AT WORK</small>	General Offices: Kansas City, MO	
Finish:	PAINTED WHITE		Title:	ENCLOSURE BACK PANEL 10 x 8
Tolerances: Unless Specified Otherwise X.X ±.1 X.XX ±.03 X.XXX ±.015 X° ±2°		 Third Angle Projection	Catalog No.:	A-108SBP
			Ref:	
		Drawing No.:	<b>1012340</b>	
Scale:	NTS	Checked By:	Date:	6/20/14
Drawn By:	AJS	Approved By:	Sheet	1 of 1

**	6/20/14	FIRST RELEASE	AJS			
----	---------	---------------	-----	--	--	--