

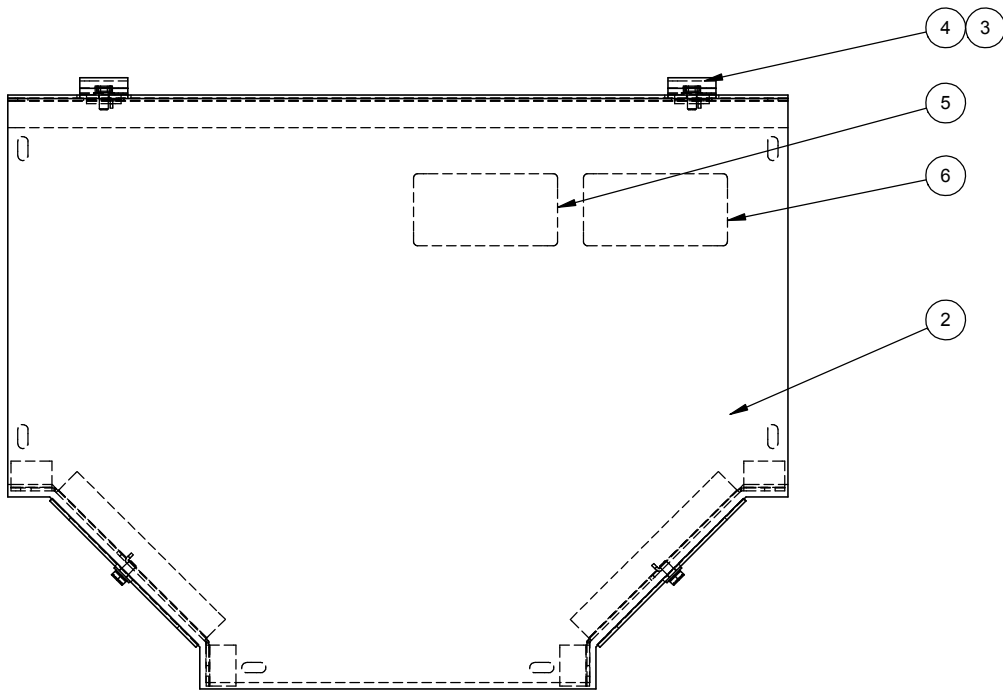


Catalog Number: 88GFT  
Item Description: WIREWAY ACCESSORY  
UPC Code: 784572109865

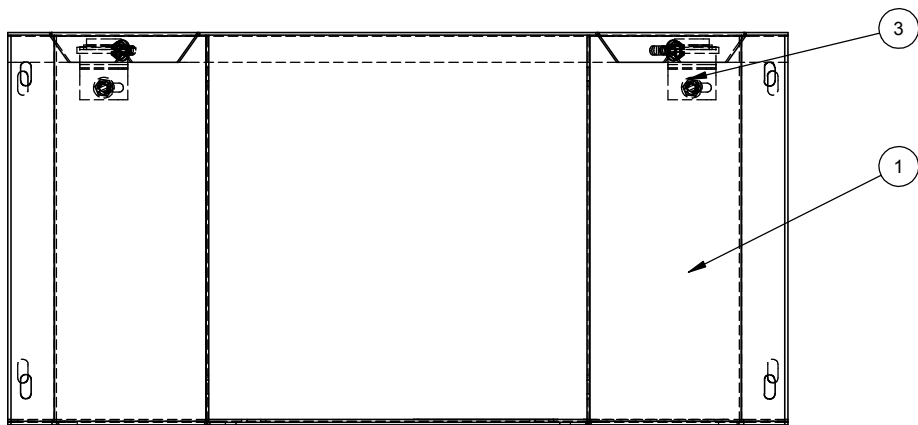
Brand Name: Milbank  
Type: Wireway Tee  
Application: Wireway Accessory  
Standard: UL Listed, Type 1  
Cover Type: Screw Cover  
Enclosure: Indoor Enclosure  
Nominal Cross Section: 8x8  
Material: Steel with Powder Coat Finish  
Finish: ANSI 61 Gray  
Knockouts: False




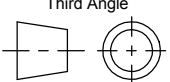
*Utility requirements may vary. Always consult the serving utility for their requirements prior to ordering or installing this equipment. This product must always be installed by a licensed electrician. Installation of this equipment may require local electrical inspector approval.*



ITEM	QTY.	PART NUMBER	DESCRIPTION
1	1	1159323	SHELL WEDLMENT
	1	1159301	BACK
	1	1159299	BOTTOM
	2	1159297	SIDE
2	1	1159296	TOP
3	4	1001290	SCREW, 10-32 X 5/16
4	2	1003198	HINGE
5	1	1002913	LABEL, RATING
6	1	(SEE CHART)	UL LABEL, WIREWAY
7	1	1002935	CARTON (NOT SHOWN)



CATALOG #	LABEL #
88GFT	#1002943
RC-88GFT	#1125051
SPAF-88	#1132575

Material:	16 GA STEEL		 General Offices: Kansas City, MO	
Shear/ Die#:				
Finish:	MILBAN LIGHT GRAY		Title:	HINGE COVER WIREWAY 8X8 TEE
Part Wt.:			Catalog No.:	(SEE CHART)
Tolerances: Unless Specified Otherwise X.X ±.1 X.XX ±.03 X.XXX ±.015 X" ±2"		Third Angle 		Customer:
Scale:	NTS	Checked By:	Drawing No.: <b>1006550</b>	
Drawn By:	DL	Approved By:	Date:	5-25-12 Sheet 1 of 1

REV.	DATE	DESCRIPTION	BY
A3	5-25-12	REDRAWN IN SW; DRAWING NUMBER WAS 374, ADDED SHELL WEDLMENT (ECO #22367)	DL

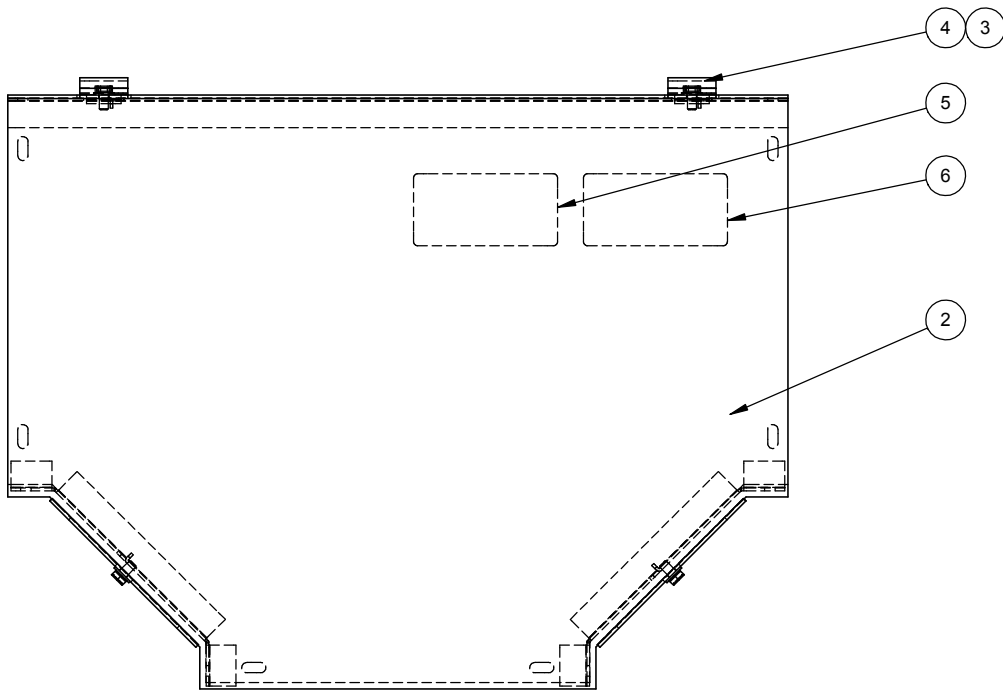


Catalog Number: 88GFT  
Item Description: WIREWAY ACCESSORY  
UPC Code: 784572109865

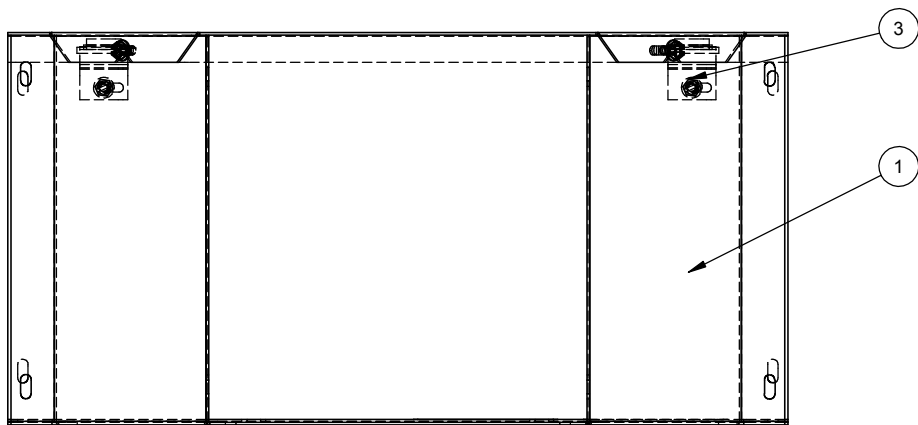
Brand Name: Milbank  
Type: Wireway Tee  
Application: Wireway Accessory  
Standard: UL Listed, Type 1  
Cover Type: Screw Cover  
Enclosure: Indoor Enclosure  
Nominal Cross Section: 8x8  
Material: Steel with Powder Coat Finish  
Finish: ANSI 61 Gray  
Knockouts: False




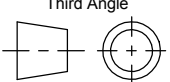
*Utility requirements may vary. Always consult the serving utility for their requirements prior to ordering or installing this equipment. This product must always be installed by a licensed electrician. Installation of this equipment may require local electrical inspector approval.*



ITEM	QTY.	PART NUMBER	DESCRIPTION
1	1	1159323	SHELL WEDLMENT
	1	1159301	BACK
	1	1159299	BOTTOM
	2	1159297	SIDE
2	1	1159296	TOP
3	4	1001290	SCREW, 10-32 X 5/16
4	2	1003198	HINGE
5	1	1002913	LABEL, RATING
6	1	(SEE CHART)	UL LABEL, WIREWAY
7	1	1002935	CARTON (NOT SHOWN)



CATALOG #	LABEL #
88GFT	#1002943
RC-88GFT	#1125051
SPAF-88	#1132575

Material:	16 GA STEEL	 General Offices: Kansas City, MO	
Shear/ Die#:			
Finish:	MILBAN LIGHT GRAY	Title:	HINGE COVER WIREWAY 8X8 TEE
Part Wt.:		Catalog No.:	(SEE CHART)
Tolerances: Unless Specified Otherwise X.X ±.1 X.XX ±.03 X.XXX ±.015 X" ±2"		Third Angle 	
Scale:	NTS	Checked By:	
Drawn By:	DL	Approved By:	
		Customer:	
		Drawing No.:	1006550
		Date:	5-25-12
		Sheet	1 of 1

REV.	DATE	DESCRIPTION	BY
A3	5-25-12	REDRAWN IN SW; DRAWING NUMBER WAS 374, ADDED SHELL WEDLMENT (ECO #22367)	DL