



Catalog Number: 8860-GHC1-NK
Item Description: N1 HINGE CVR GUTTER NK
UPC Code: 784572109612

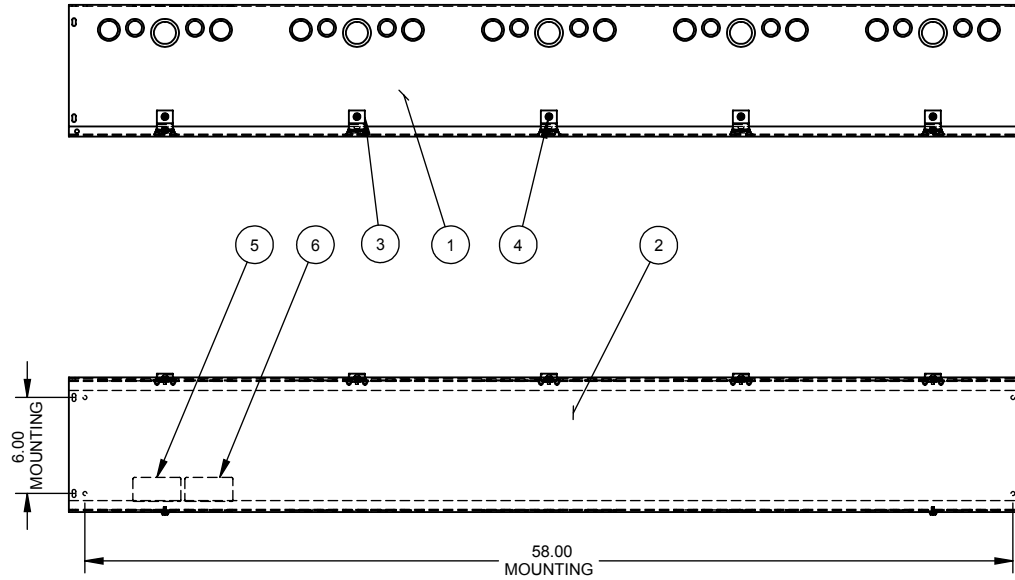
Brand Name: Milbank
Type: Lay In Wireway
Application: Wireway
Standard: UL Listed, Type 1
Cover Type: Hinge Cover
Enclosure: Indoor Enclosure
Nominal Cross Section: 8x8
Straight Section Length: 60
Material: Steel with Powder Coat Finish
Finish: ANSI 61 Gray
Knockouts: False



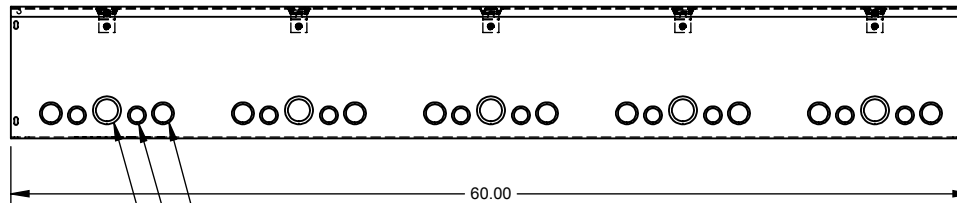
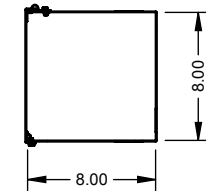
Utility requirements may vary. Always consult the serving utility for their requirements prior to ordering or installing this equipment. This product must always be installed by a licensed electrician. Installation of this equipment may require local electrical inspector approval.

CATALOG#	LABEL#
8860-GHC1(-)	1002943
RC-8860-GHC1(-)	1125051
SPH-885(-)	1132575

ITEM	QTY.	PART NUMBER	DESCRIPTION
1	1	(SEE CHART)	BACK
2	1	(SEE CHART)	TOP
3	5	1003198	HINGE
4	7	1001290	SCREW, 10-32 X 5/16
5	1	(SEE CHART)	LABEL (U/L LISTING)
6	1	1002913	LABEL, RATING
7	3	1002880	BAG ASSY.




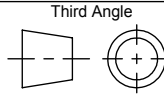
SUFFIX	BACK #	COVER #
-SU	1105225	1002287
-SUC	1129003	1128967
-SO	1129004	1128968
-SUNK	1100202	1002287
-NK	1129005	1128968
-SUNKC	1129006	1128967



SUFFIX	FINISH
NONE	PAINTED
-NP	NOT PAINTED

- 3/4, 1 CONC. K.O.
20 PL
- 1/2, 3/4 CONC. K.O.
20 PL
- 1, 1-1/4 CONC. K.O.
10 PL

NOTE:
1. PLACE BAG ASS'Y INSIDE ENCLOSURE. (NOT SHOWN)

Material:	14 GA. - SEE CHART	 <p>General Offices: Kansas City, MO</p>	
Shear/ Die#:			
Finish:	SEE CHART	Title:	HINGE COVER WIREWAY 8 x 8 x 60, TYPE 1 NEMA ENCLOSURE
Part Wt.:		Catalog No.:	(SEE CHART)
Tolerances: Unless Specified Otherwise X.X ±.1 X.XX ±.03 X.XXX ±.015 X* ±2*		Customer:	MILBANK STANDARD
Third Angle 		Drawing No.:	365-11
Scale:	NTS	Date:	05/29/02
Drawn By:	DY	Sheet	1 of 1

REV	DATE	DESCRIPTION	BY	DL
D	8-29-07	ADDED BACK & COVER CHART ECO. 15946		
D1	4/16/08	ADDED LABEL CHART & REMOVED NOTE#2(ECO.17139)	JLT	



Catalog Number: 8860-GHC1-NK
Item Description: N1 HINGE CVR GUTTER NK
UPC Code: 784572109612

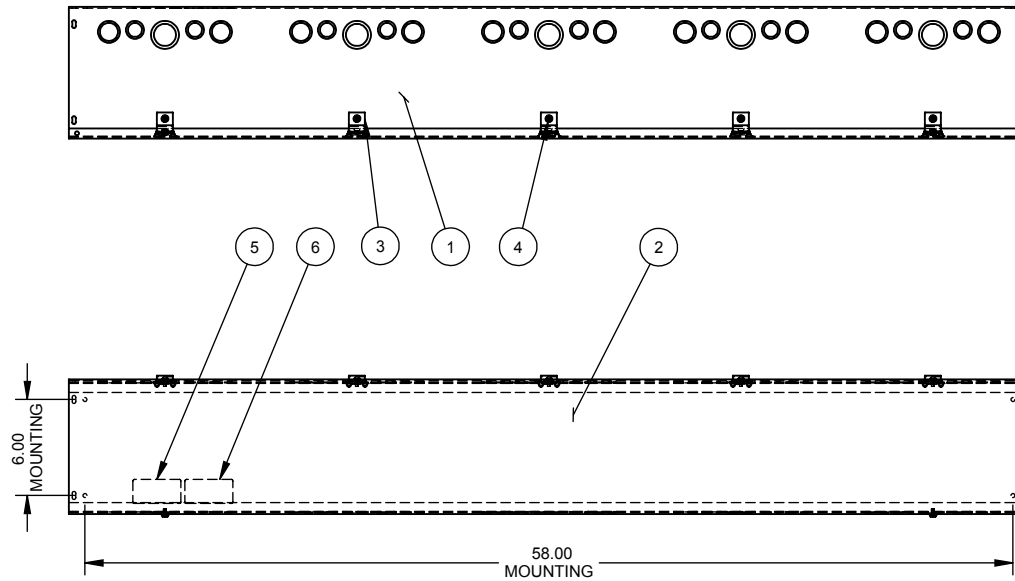
Brand Name: Milbank
Type: Lay In Wireway
Application: Wireway
Standard: UL Listed, Type 1
Cover Type: Hinge Cover
Enclosure: Indoor Enclosure
Nominal Cross Section: 8x8
Straight Section Length: 60
Material: Steel with Powder Coat Finish
Finish: ANSI 61 Gray
Knockouts: False



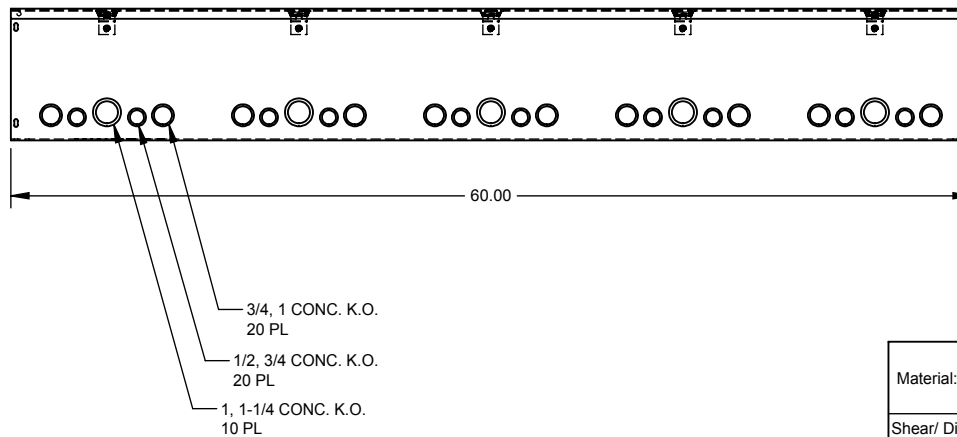
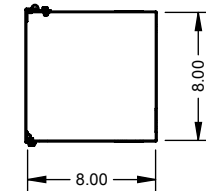
Utility requirements may vary. Always consult the serving utility for their requirements prior to ordering or installing this equipment. This product must always be installed by a licensed electrician. Installation of this equipment may require local electrical inspector approval.

CATALOG#	LABEL#
8860-GHC1(-)	1002943
RC-8860-GHC1(-)	1125051
SPH-885(-)	1132575

ITEM	QTY.	PART NUMBER	DESCRIPTION
1	1	(SEE CHART)	BACK
2	1	(SEE CHART)	TOP
3	5	1003198	HINGE
4	7	1001290	SCREW, 10-32 X 5/16
5	1	(SEE CHART)	LABEL (U/L LISTING)
6	1	1002913	LABEL, RATING
7	3	1002880	BAG ASSY.


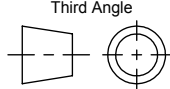


SUFFIX	BACK #	COVER #
-SU	1105225	1002287
-SUC	1129003	1128967
-SO	1129004	1128968
-SUNK	1100202	1002287
-NK	1129005	1128968
-SUNKC	1129006	1128967



SUFFIX	FINISH
NONE	PAINTED
-NP	NOT PAINTED

NOTE:
1. PLACE BAG ASS'Y INSIDE ENCLOSURE. (NOT SHOWN)

Material:	14 GA. - SEE CHART	 General Offices: Kansas City, MO	
Shear/ Die#:			
Finish:	SEE CHART	Title:	HINGE COVER WIREWAY 8 x 8 x 60, TYPE 1 NEMA ENCLOSURE
Part Wt.:		Catalog No.:	(SEE CHART)
Tolerances: Unless Specified Otherwise X.X ±.1 X.XX ±.03 X.XXX ±.015 X" ±2"		Customer:	MILBANK STANDARD
Third Angle 		Drawing No.:	365-11
Scale:	NTS	Date:	05/29/02
Drawn By:	DY	Sheet	1 of 1

REV	DATE	DESCRIPTION	BY	DL
D	8-29-07	ADDED BACK & COVER CHART ECO. 15946		
D1	4/16/08	ADDED LABEL CHART & REMOVED NOTE#2(ECO.17139)	JLT	