



Catalog Number: 8848-GSC3R-NK
Item Description: N3R SCREW CVR GUTTER NK
UPC Code: 784572109520

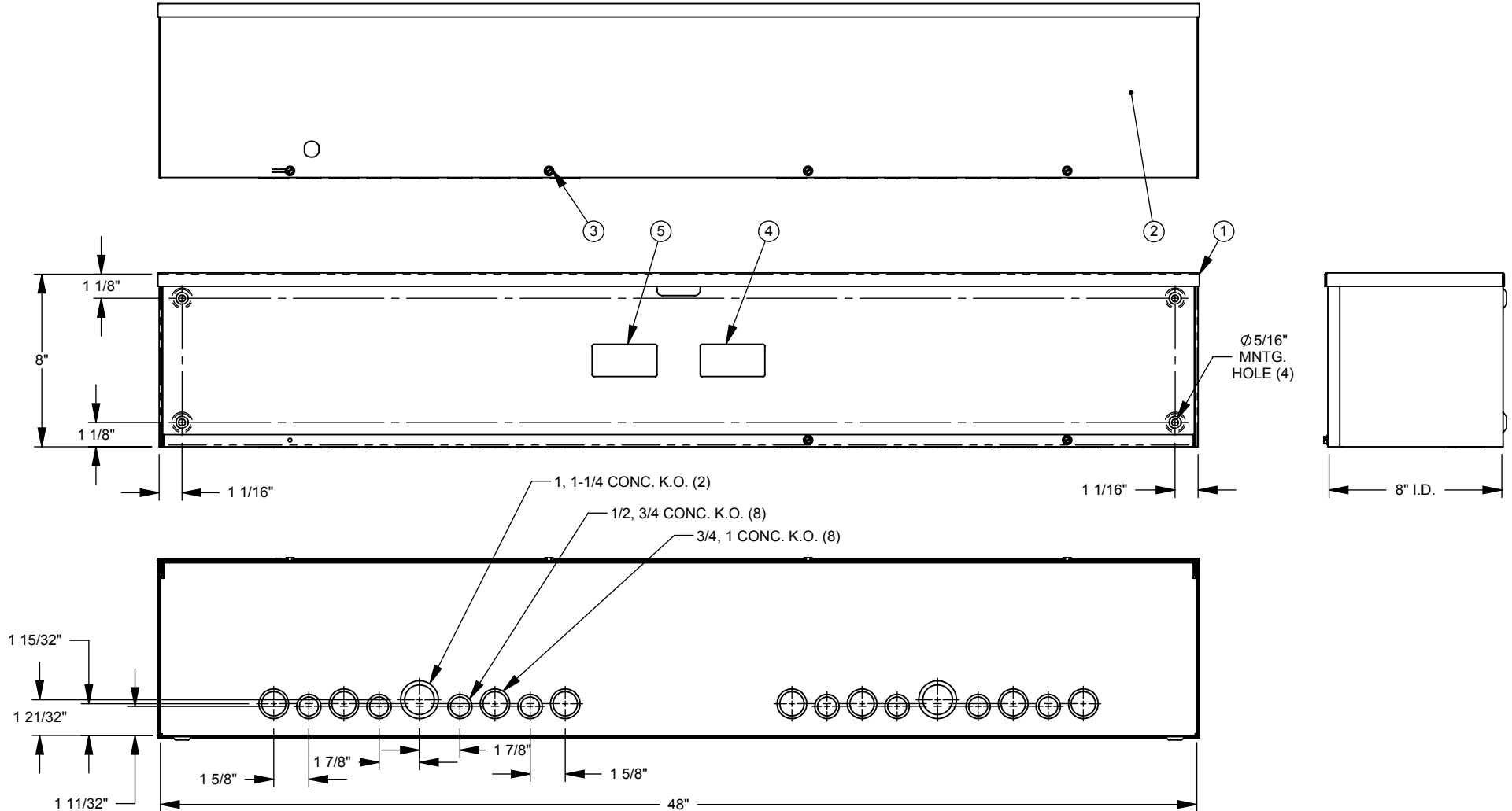
Brand Name: Milbank
Type: Wiring Trough
Special Features: Key Locking Cylinder Latch Provision,
Sealing Eye Lance
Application: Wireway
Standard: UL Listed, Type 3R
Cover Type: Screw Cover
Enclosure: Outdoor Enclosure
Nominal Cross Section: 8x8
Straight Section Length: 48
Material: Steel with Powder Coat Finish
Finish: ANSI 61 Gray
Knockouts: False



Utility requirements may vary. Always consult the serving utility for their requirements prior to ordering or installing this equipment. This product must always be installed by a licensed electrician. Installation of this equipment may require local electrical inspector approval.


CAT. NO.	U/L LABEL
8848-GSC3R	1002943
RC-8848-GSC3R	1125051
SPRSCG-8848	1132575

ITEM	QTY.	PART NUMBER	DESCRIPTION
1	1	(SEE CHART)	BACK WELDMENT
2	1	(SEE CHART)	FRONT
3	4	1001290	SCREW, 10-32 X 5/16
4	1	1002896	LABEL, RATING 8x8 GSC3R
5	1	(SEE CHART)	UL LABEL, WIREWAY



NEMA DWG.: #288

SUFFIX	FINISH	K.O.s INSTALLED	WELDMENT NO.	FRONT NO.
NONE	MILBANK	YES	1153346	1004425
-NK	LIGHT GRAY	NO	1153347	
-NP	NONE	YES	1156483	1010782
-NP-NK		NO	1156484	

Material:	16 GA. GALV. STEEL		 <p>General Offices: Kansas City, MO</p>										
Shear/ Die#:													
Finish:	SEE CHART		Title:										
Part Wt.:			SCREW COVER WIREWAY NEMA TYPE 3R										
Tolerances:	<table border="1"> <tr> <td>Unless Specified Otherwise</td> <td></td> </tr> <tr> <td>X.X</td> <td>±.1</td> </tr> <tr> <td>X.XX</td> <td>±.03</td> </tr> <tr> <td>X.XXX</td> <td>±.015</td> </tr> <tr> <td>X"</td> <td>±2"</td> </tr> </table>		Unless Specified Otherwise		X.X	±.1	X.XX	±.03	X.XXX	±.015	X"	±2"	Third Angle
Unless Specified Otherwise													
X.X	±.1												
X.XX	±.03												
X.XXX	±.015												
X"	±2"												
Scale:	NTS	Checked By:	Catalog No.:										
Drawn By:	D.F.	Approved By:	(SEE CHART)										
			Customer:										
			Drawing No.:										
			1002624										
			Date:										
			11/18/11										
			Sheet										
			1 of 1										

REV.	DATE	DESCRIPTION	BY
B2	11/18/11	REDRAW INTO SOLIDWORKS; UPDATE K.O. PATTERN (ECO #21616)	D.F.



Catalog Number: 8848-GSC3R-NK
Item Description: N3R SCREW CVR GUTTER NK
UPC Code: 784572109520

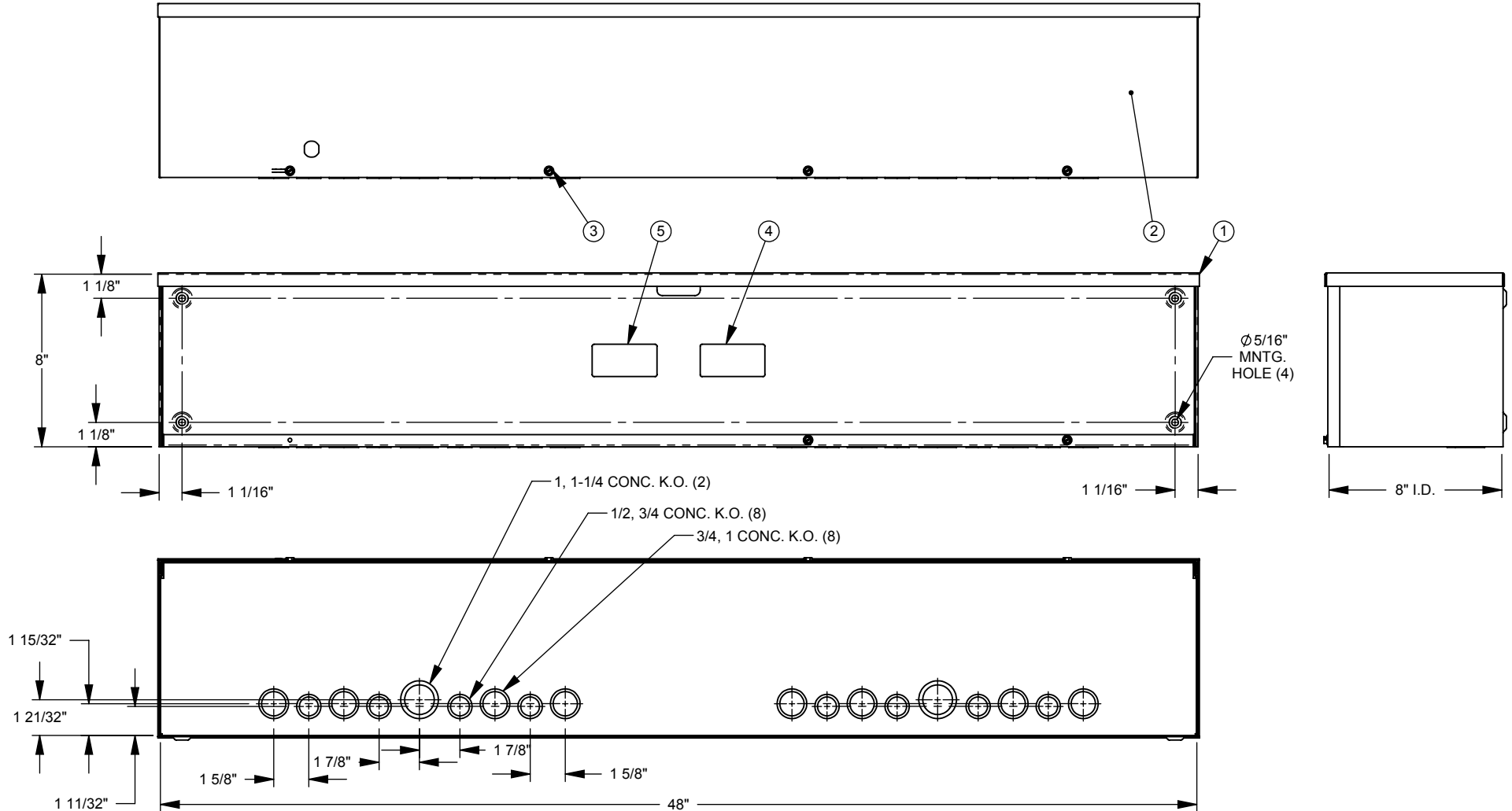
Brand Name: Milbank
Type: Wiring Trough
Special Features: Key Locking Cylinder Latch Provision,
Sealing Eye Lance
Application: Wireway
Standard: UL Listed, Type 3R
Cover Type: Screw Cover
Enclosure: Outdoor Enclosure
Nominal Cross Section: 8x8
Straight Section Length: 48
Material: Steel with Powder Coat Finish
Finish: ANSI 61 Gray
Knockouts: False



Utility requirements may vary. Always consult the serving utility for their requirements prior to ordering or installing this equipment. This product must always be installed by a licensed electrician. Installation of this equipment may require local electrical inspector approval.

CAT. NO.	U/L LABEL
8848-GSC3R	1002943
RC-8848-GSC3R	1125051
SPRSCG-8848	1132575

ITEM	QTY.	PART NUMBER	DESCRIPTION
1	1	(SEE CHART)	BACK WELDMENT
2	1	(SEE CHART)	FRONT
3	4	1001290	SCREW, 10-32 X 5/16
4	1	1002896	LABEL, RATING 8x8 GSC3R
5	1	(SEE CHART)	UL LABEL, WIREWAY



SUFFIX	FINISH	K.O.s INSTALLED	WELDMENT NO.	FRONT NO.
NONE	MILBANK	YES	1153346	1004425
-NK	LIGHT GRAY	NO	1153347	
-NP	NONE	YES	1156483	1010782
-NP-NK		NO	1156484	

NEMA DWG.: #288

REV.	DATE	DESCRIPTION	BY
B2	11/18/11	REDRAW INTO SOLIDWORKS; UPDATE K.O. PATTERN (ECO #21616)	D.F.

Material:	16 GA. GALV. STEEL		<p>General Offices: Kansas City, MO</p>										
Shear/ Die#:													
Finish:	SEE CHART												
Part Wt.:													
Tolerances:	<table border="1"> <tr> <td>Unless Specified Otherwise</td> <td></td> </tr> <tr> <td>X.X</td> <td>±.1</td> </tr> <tr> <td>X.XX</td> <td>±.03</td> </tr> <tr> <td>X.XXX</td> <td>±.015</td> </tr> <tr> <td>X"</td> <td>±2"</td> </tr> </table>		Unless Specified Otherwise		X.X	±.1	X.XX	±.03	X.XXX	±.015	X"	±2"	<p>Third Angle</p>
Unless Specified Otherwise													
X.X	±.1												
X.XX	±.03												
X.XXX	±.015												
X"	±2"												
Scale:	NTS	Checked By:											
Drawn By:	D.F.	Approved By:											
Title:	SCREW COVER WIREWAY NEMA TYPE 3R		Catalog No.:	(SEE CHART)									
Customer:			Drawing No.:	1002624									
Date:	11/18/11	Sheet	1 of 1										