

## Straight Blade Devices

### 20A, 125V, 2 Pole, 3 Wire Grounding

# Hubbell-PRO Heavy Duty Hospital Grade Receptacles

# HUBBELL

## Features

- Triple wipe contacts
- High impact resistant face with circuit I.D. marking area
- Steel mounting strap

## Ordering Information

Description	Device Color	UPC	Catalog Number
Hospital grade, smooth face, back and side wired	Ivory	783585197067	8300IVTRA



## Standards

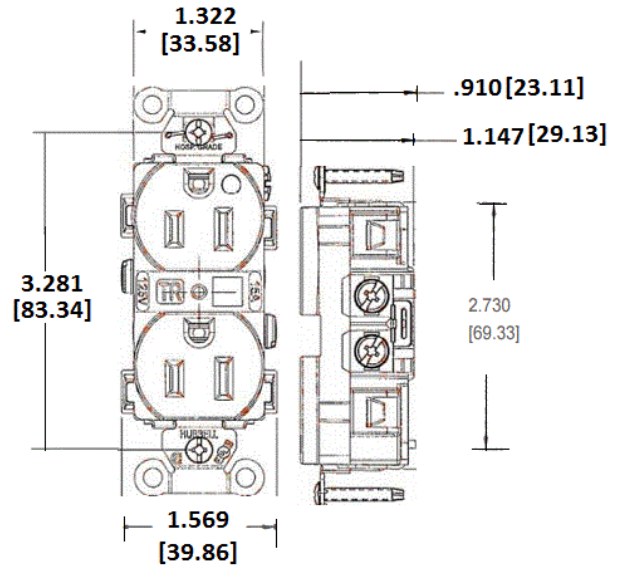
UL Listed to UL498 File No. E2186  
Certified to CSA, C22.2, No. 42 File 285  
Fed. Spec. W-C-596  
NEMA® WD-6 Compliant

## Specifications

Face	Nylon
Base	PBT
Power Contacts	Brass
Ground Contacts	Brass
Clamping Plate	Plated steel
Mounting Strap	Galvanized steel
Automatic Self-grounding Staple	Stainless steel
Mounting Screws	Zinc plated steel

## Performance

<b>Electrical</b>	
Current Interrupting	Certified for current interrupting at full rated current
Dielectric Voltage	Withstands 2,000V minimum
<b>Mechanical</b>	
Product Identification	Ratings are a permanent part of the device
Terminal Accommodation	#14-#10 AWG copper stranded or solid conductor only
Terminal Identification	Terminals identified in accordance with UL 498 and CSA
<b>Environmental</b>	
Flammability	UL 94V-2
Operating Temperature	Maximum continuous 75°C; minimum -40°C (w/o impact)



## Accessories

Wallplate or Weatherproof Cover

Duplex Opening

## Online Resources

eCatalog

Dimensions in Inches (mm)

Hubbell Wiring Device-Kellems • Hubbell Incorporated (Delaware) • 40 Waterview Drive • Shelton, CT 06484

Phone (800) 288-6000 • Fax (800) 255-1031 • Specifications subject to change without notice.



## Straight Blade Devices

### 20A, 125V, 2 Pole, 3 Wire Grounding

# Hubbell-PRO Heavy Duty Hospital Grade Receptacles

# HUBBELL

## Features

- Triple wipe contacts
- High impact resistant face with circuit I.D. marking area
- Steel mounting strap

## Ordering Information

Description	Device Color	UPC	Catalog Number
Hospital grade, smooth face, back and side wired	Ivory	783585197067	8300IVTRA



## Standards

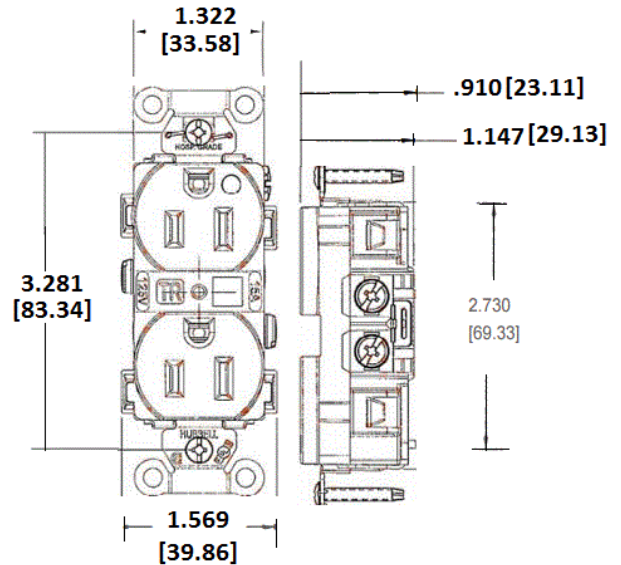
UL Listed to UL498 File No. E2186  
Certified to CSA, C22.2, No. 42 File 285  
Fed. Spec. W-C-596  
NEMA® WD-6 Compliant

## Specifications

Face	Nylon
Base	PBT
Power Contacts	Brass
Ground Contacts	Brass
Clamping Plate	Plated steel
Mounting Strap	Galvanized steel
Automatic Self-grounding Staple	Stainless steel
Mounting Screws	Zinc plated steel

## Performance

<b>Electrical</b>	
Current Interrupting	Certified for current interrupting at full rated current
Dielectric Voltage	Withstands 2,000V minimum
<b>Mechanical</b>	
Product Identification	Ratings are a permanent part of the device
Terminal Accommodation	#14-#10 AWG copper stranded or solid conductor only
Terminal Identification	Terminals identified in accordance with UL 498 and CSA
<b>Environmental</b>	
Flammability	UL 94V-2
Operating Temperature	Maximum continuous 75°C; minimum -40°C (w/o impact)



## Accessories

Wallplate or Weatherproof Cover

Duplex Opening

## Online Resources

eCatalog

Dimensions in Inches (mm)

Hubbell Wiring Device-Kellems • Hubbell Incorporated (Delaware) • 40 Waterview Drive • Shelton, CT 06484

Phone (800) 288-6000 • Fax (800) 255-1031 • Specifications subject to change without notice.

