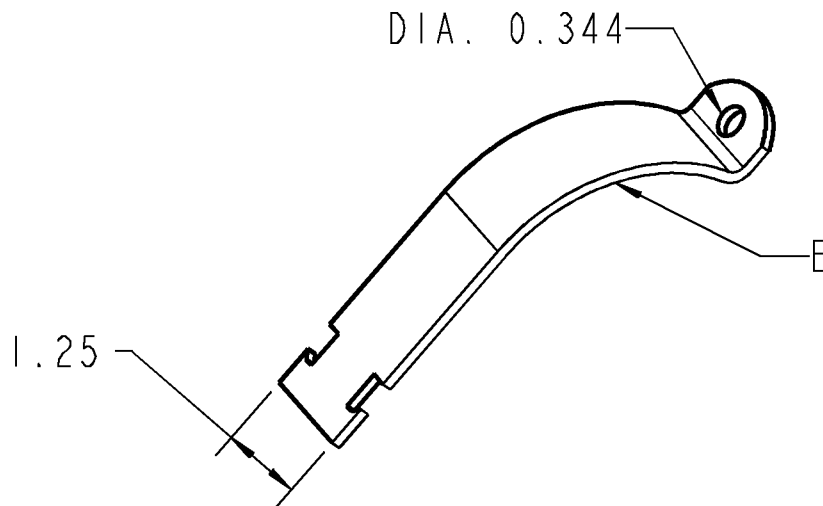



Superstrut



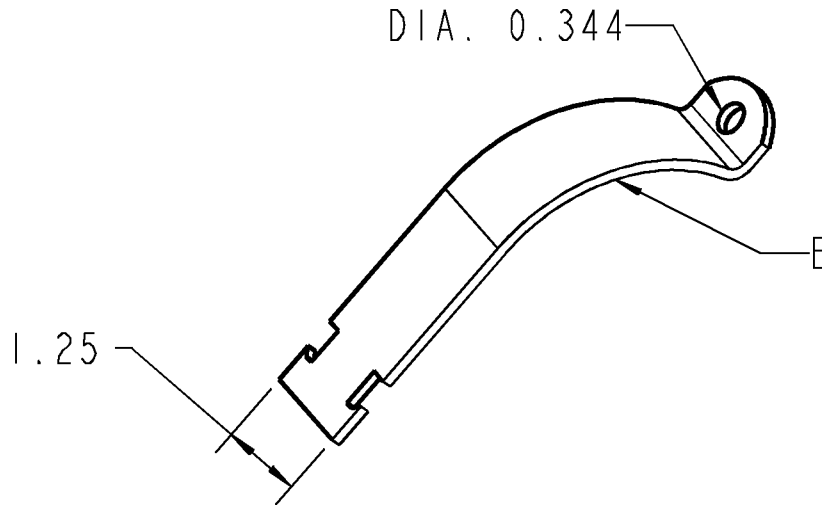
3" RIGID/STD PIPE STRAP	1.750	NOTE 9	-	C105-3SS316	702 3SS316	
3 1/2" RIGID/STD PIPE STRAP	2.000	NOTE 8	-	C 105 3 1/2AL	702 3 1/2AL	
3" RIGID/STD PIPE STRAP	1.750	NOTE 7	-	C 105 3 AL	702 3 AL	
2 1/2" RIGID/STD PIPE STRAP	1.438	NOTE 7	-	C 105 2 1/2AL	702 2-1/2AL	
3 1/2" RIGID/STD PIPE STRAP	2.000	NOTE 6	-	C 105 3 1/2SS	702 3 1/2 SS	
3" RIGID/STD PIPE STRAP	1.750	NOTE 2	-	C 105 3 SS	702 3 SS	
2 1/2" RIGID/STD PIPE STRAP	1.438	NOTE 2	-	C 105 2 1/2SS	702 2 1/2 SS	
3 1/2" RIGID/STD PIPE STRAP	2.000	NOTE 5	NOTE 4	C 105 3 1/2EG	702 3 1/2 EG	
3" RIGID/STD PIPE STRAP	1.750	NOTE 1	NOTE 4	C 105 3EG	702 3 EG	
2 1/2" RIGID/STD PIPE STRAP	1.438	NOTE 1	NOTE 4	C 105 2 1/2EG	702 2 1/2 EG	
3 1/2" RIGID/STD PIPE STRAP	2.000	NOTE 5	NOTE 3	C 105 3 1/2	702 3 1/2	
3" RIGID/STD PIPE STRAP	1.750	NOTE 1	NOTE 3	C 105 3	702 3	
2 1/2" RIGID/STD PIPE STRAP	1.438	NOTE 1	NOTE 3	C 105 2 1/2	702 2 1/2	
A	DESCRIPTION	B RADIUS	D MATERIAL	E FINISH	CAT NO KINDORF	CAT NO SUPERSTRUT

NOTES:

1. MATERIAL: 12 GA. (.104) H.R. LOW CARBON STEEL.
2. MATERIAL: 12 GA. (.104) TYPE 304 STAINLESS STEEL.
3. FINISH: ELECTRO DEPOSITED ZINC BASE WITH YELLOW TRIVALENT CHROMIUM OUTER BARRIER.
4. FINISH: ELECTRO DEPOSITED ZINC.
5. MATERIAL. (.125) H.R. LOW CARBON STEEL.
6. MATERIAL, 11 GA. (.125) TYPE 304 STAINLESS STEEL.
7. MATERIAL, 12 GA. (.104) ALUMINUM.
8. MATERIAL, 11 GA. (.125) ALUMINUM.
9. MATERIAL, 12 GA. (.104) TYPE 316 STAINLESS STEEL.

GENERAL NOTES		 A Member of the ABB Group				
1. ALL DIMENSIONS ARE FOR REFERENCE ONLY. 2. DIMENSIONS IN BRACKETS [] ARE IN METRIC UNITS.						www.tnb.com
REVISIONS		DESCRIPTION: KINDORF C105 AND SUPERSTRUT 702 SERIES PIPE STRAPS				
- SEE ERN (****) FOR APPROVAL SIGNATURES & RELEASE DATE. PROJECT NO: ****						ORIGINAL PROJECT NO / (ERN NO)
		XM400032 / (2015693)		1 OF 1	-	WSD-001307

Superstrut



3" RIGID/STD PIPE STRAP	1.750	NOTE 9	-	C105-3SS316	702 3SS316
3 1/2" RIGID/STD PIPE STRAP	2.000	NOTE 8	-	C 105 3 1/2AL	702 3 1/2AL
3" RIGID/STD PIPE STRAP	1.750	NOTE 7	-	C 105 3 AL	702 3 AL
2 1/2" RIGID/STD PIPE STRAP	1.438	NOTE 7	-	C 105 2 1/2AL	702 2-1/2AL
3 1/2" RIGID/STD PIPE STRAP	2.000	NOTE 6	-	C 105 3 1/2SS	702 3 1/2 SS
3" RIGID/STD PIPE STRAP	1.750	NOTE 2	-	C 105 3 SS	702 3 SS
2 1/2" RIGID/STD PIPE STRAP	1.438	NOTE 2	-	C 105 2 1/2SS	702 2 1/2 SS
3 1/2" RIGID/STD PIPE STRAP	2.000	NOTE 5	NOTE 4	C 105 3 1/2EG	702 3 1/2 EG
3" RIGID/STD PIPE STRAP	1.750	NOTE 1	NOTE 4	C 105 3EG	702 3 EG
2 1/2" RIGID/STD PIPE STRAP	1.438	NOTE 1	NOTE 4	C 105 2 1/2EG	702 2 1/2 EG
3 1/2" RIGID/STD PIPE STRAP	2.000	NOTE 5	NOTE 3	C 105 3 1/2	702 3 1/2
3" RIGID/STD PIPE STRAP	1.750	NOTE 1	NOTE 3	C 105 3	702 3
2 1/2" RIGID/STD PIPE STRAP	1.438	NOTE 1	NOTE 3	C 105 2 1/2	702 2 1/2
A DESCRIPTION	B RADIUS	D MATERIAL	E FINISH	CAT NO KINDORF	CAT NO SUPERSTRUT

NOTES:

- MATERIAL: 12 GA. (.104) H.R. LOW CARBON STEEL.
- MATERIAL: 12 GA. (.104) TYPE 304 STAINLESS STEEL.
- FINISH: ELECTRO DEPOSITED ZINC BASE WITH YELLOW TRIVALENT CHROMIUM OUTER BARRIER.
- FINISH: ELECTRO DEPOSITED ZINC.
- MATERIAL. (.125) H.R. LOW CARBON STEEL.
- MATERIAL, 11 GA. (.125) TYPE 304 STAINLESS STEEL.
- MATERIAL, 12 GA. (.104) ALUMINUM.
- MATERIAL, 11 GA. (.125) ALUMINUM.
- MATERIAL, 12 GA. (.104) TYPE 316 STAINLESS STEEL.

GENERAL NOTES		Thomas & Betts A Member of the ABB Group			
1. ALL DIMENSIONS ARE FOR REFERENCE ONLY. 2. DIMENSIONS IN BRACKETS [] ARE IN METRIC UNITS.		www.tnb.com			
REVISIONS		DESCRIPTION: KINDORF C105 AND SUPERSTRUT 702 SERIES PIPE STRAPS			
-	SEE ERN (****) FOR APPROVAL SIGNATURES & RELEASE DATE. PROJECT NO: ****	ORIGINAL PROJECT NO / (ERN NO)	SHEET NO:	REV. NO:	DRAWING NO:
		XM400032 / (2015693)	1 OF 1	-	WSD-001307