

Push Buttons

Low Voltage

600 Series



Low voltage, panel mount push buttons with three types of centers: recessed, flush, or protruding. Each button has a phosphor bronze contact spring with a long duration wiping action. The button back is constructed of Zytel 101 nylon. May be used with 147-1 mounting plate.

Features and Specifications

- AC or DC up to 48 volts
- Recessed, flush or protruding button models
- Polished, anodized aluminum shell
- Snap fit or locknut type mounting
- Normally open momentary contacts

Ordering Information

| Description | Cat. No. | Switching Voltage | Current | | Center Type | Center Mounting | Color | Mounting Hole Diameter |
|-------------------------------|----------|-------------------|---------|-------|-------------|-----------------|-------|------------------------|
| | | | AC | DC | | | | |
| Flush Center Push Button | 690-W | 12V | 10.0 A | 4.0 A | Flush | Snap fit | White | 5/8" (16mm) |
| | | 24V | 10.0 A | 2.0 A | | | | |
| | | 48V | 5.0 A | 1.0 A | | | | |
| | 691-W | 12V | 10.0 A | 4.0 A | Flush | Locknut | White | 5/8" (16mm) |
| | | 24V | 10.0 A | 2.0 A | | | | |
| | | 48V | 5.0 A | 1.0 A | | | | |
| Recessed Center Push Button | 692-W | 12V | 10.0 A | 4.0 A | Recessed | Snap fit | White | 5/8" (16mm) |
| | | 24V | 10.0 A | 2.0 A | | | | |
| | | 48V | 5.0 A | 1.0 A | | | | |
| Protruding Center Push Button | 694-B | 12V | 10.0 A | 4.0 A | Protruding | Snap fit | Black | 5/8" (16mm) |
| | | 24V | 10.0 A | 2.0 A | | | | |
| | | 48V | 5.0 A | 1.0 A | | | | |
| | 694-W | 12V | 10.0 A | 4.0 A | Protruding | Snap fit | White | 5/8" (16mm) |
| | | 24V | 10.0 A | 2.0 A | | | | |
| | | 48V | 5.0 A | 1.0 A | | | | |
| | 695-B | 12V | 10.0 A | 4.0 A | Protruding | Locknut | Black | 5/8" (16mm) |
| | | 24V | 10.0 A | 2.0 A | | | | |
| | | 48V | 5.0 A | 1.0 A | | | | |
| | 695-W | 12V | 10.0 A | 4.0 A | Protruding | Locknut | White | 5/8" (16mm) |
| | | 24V | 10.0 A | 2.0 A | | | | |
| | | 48V | 5.0 A | 1.0 A | | | | |

Accessories

| Description | Cat. No. |
|----------------|----------|
| Mounting Plate | 147-1 |



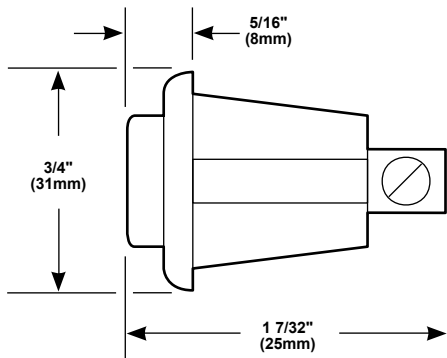
Push Buttons

Low Voltage

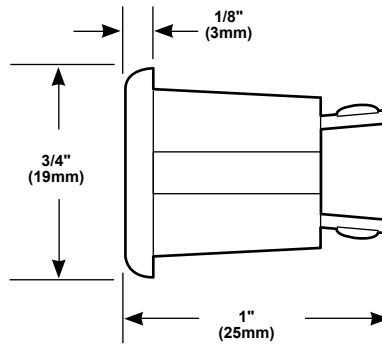
600 Series

Weights and Dimensions

| Cat. No. | Approx. Net Weight (lb.) | Approx. Shipping Weight (lb.) |
|----------|--------------------------|-------------------------------|
| 690-W | 0.01 | 0.02 |
| 691-W | 0.03 | 0.04 |
| 692-W | 0.01 | 0.02 |
| 694-B | 0.02 | 0.04 |
| 694-W | 0.02 | 0.04 |
| 695-B | 0.01 | 0.02 |
| 695-W | 0.01 | 0.02 |
| 147-1 | 0.12 | 0.15 |



694-B, 694-W



690-W, 692-W

Push Buttons

Low Voltage

600 Series



Low voltage, panel mount push buttons with three types of centers: recessed, flush, or protruding. Each button has a phosphor bronze contact spring with a long duration wiping action. The button back is constructed of Zytel 101 nylon. May be used with 147-1 mounting plate.

Features and Specifications

- AC or DC up to 48 volts
- Recessed, flush or protruding button models
- Polished, anodized aluminum shell
- Snap fit or locknut type mounting
- Normally open momentary contacts

Ordering Information

| Description | Cat. No. | Switching Voltage | Current | | Center Type | Center Mounting | Color | Mounting Hole Diameter |
|-------------------------------|----------|-------------------|---------|-------|-------------|-----------------|-------|------------------------|
| | | | AC | DC | | | | |
| Flush Center Push Button | 690-W | 12V | 10.0 A | 4.0 A | Flush | Snap fit | White | 5/8" (16mm) |
| | | 24V | 10.0 A | 2.0 A | | | | |
| | | 48V | 5.0 A | 1.0 A | | | | |
| | 691-W | 12V | 10.0 A | 4.0 A | Flush | Locknut | White | 5/8" (16mm) |
| | | 24V | 10.0 A | 2.0 A | | | | |
| | | 48V | 5.0 A | 1.0 A | | | | |
| Recessed Center Push Button | 692-W | 12V | 10.0 A | 4.0 A | Recessed | Snap fit | White | 5/8" (16mm) |
| | | 24V | 10.0 A | 2.0 A | | | | |
| | | 48V | 5.0 A | 1.0 A | | | | |
| Protruding Center Push Button | 694-B | 12V | 10.0 A | 4.0 A | Protruding | Snap fit | Black | 5/8" (16mm) |
| | | 24V | 10.0 A | 2.0 A | | | | |
| | | 48V | 5.0 A | 1.0 A | | | | |
| | 694-W | 12V | 10.0 A | 4.0 A | Protruding | Snap fit | White | 5/8" (16mm) |
| | | 24V | 10.0 A | 2.0 A | | | | |
| | | 48V | 5.0 A | 1.0 A | | | | |
| | 695-B | 12V | 10.0 A | 4.0 A | Protruding | Locknut | Black | 5/8" (16mm) |
| | | 24V | 10.0 A | 2.0 A | | | | |
| | | 48V | 5.0 A | 1.0 A | | | | |
| | 695-W | 12V | 10.0 A | 4.0 A | Protruding | Locknut | White | 5/8" (16mm) |
| | | 24V | 10.0 A | 2.0 A | | | | |
| | | 48V | 5.0 A | 1.0 A | | | | |

Accessories

| Description | Cat. No. |
|----------------|----------|
| Mounting Plate | 147-1 |



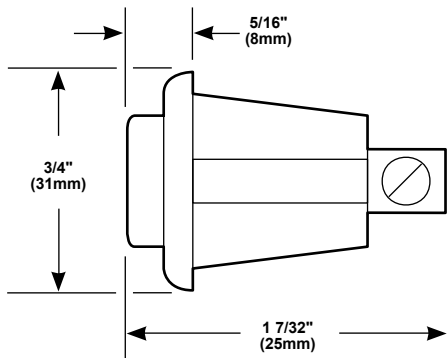
Push Buttons

Low Voltage

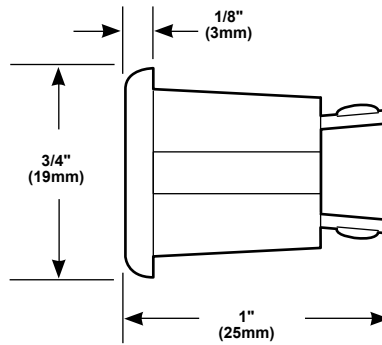
600 Series

Weights and Dimensions

| Cat. No. | Approx. Net Weight (lb.) | Approx. Shipping Weight (lb.) |
|----------|--------------------------|-------------------------------|
| 690-W | 0.01 | 0.02 |
| 691-W | 0.03 | 0.04 |
| 692-W | 0.01 | 0.02 |
| 694-B | 0.02 | 0.04 |
| 694-W | 0.02 | 0.04 |
| 695-B | 0.01 | 0.02 |
| 695-W | 0.01 | 0.02 |
| 147-1 | 0.12 | 0.15 |



694-B, 694-W



690-W, 692-W