



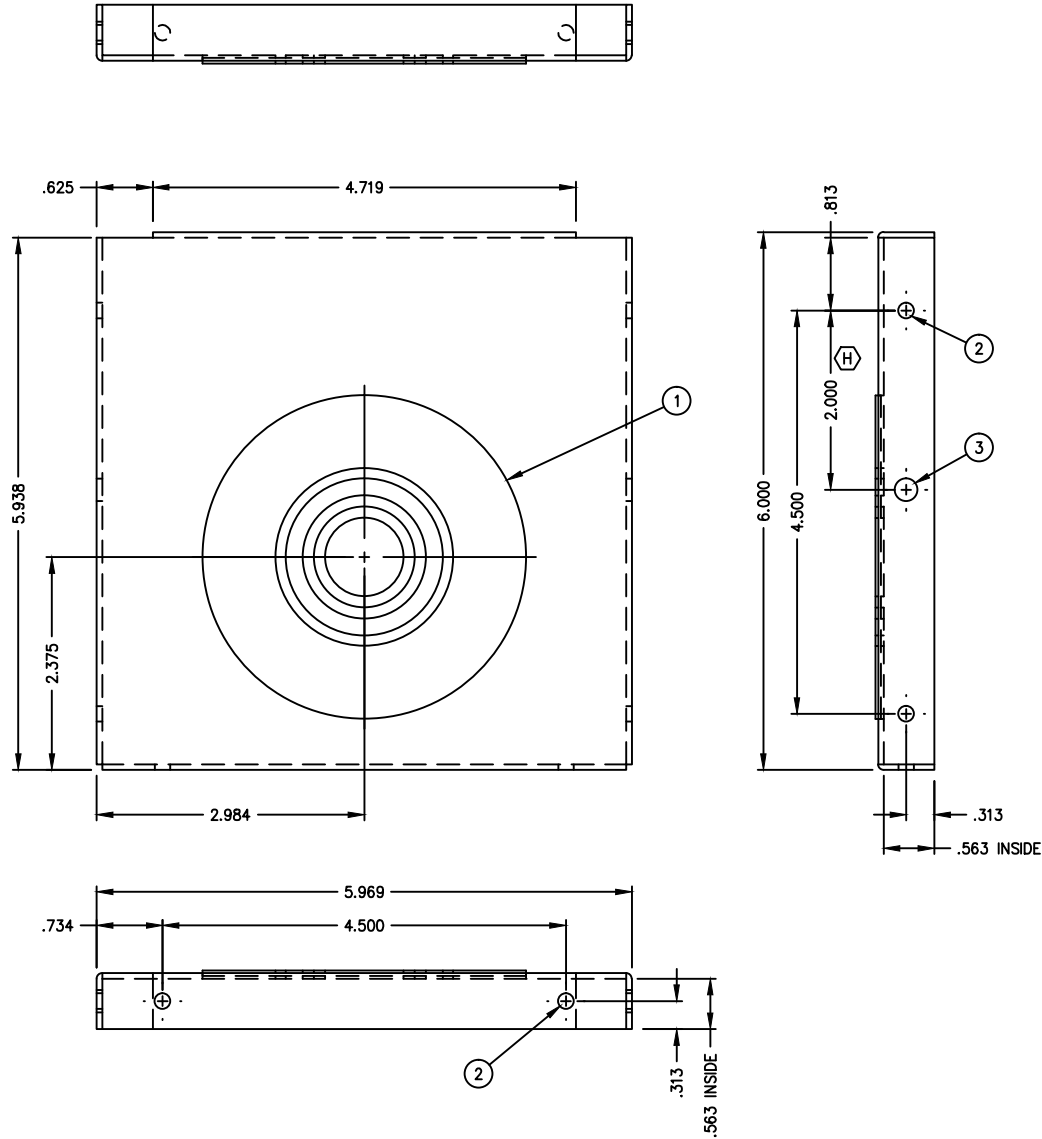
Catalog Number: 66GE-NK
Item Description: WIREWAY ACCESSORY
UPC Code: 784572108400

Brand Name: Milbank
Type: Wireway End
Application: Wireway Accessory
Standard: UL Listed, Type 1
Cover Type: Screw Cover
Enclosure: Indoor Enclosure
Material: Steel with Powder Coat Finish
Finish: ANSI 61 Gray
Knockouts: False



Utility requirements may vary. Always consult the serving utility for their requirements prior to ordering or installing this equipment. This product must always be installed by a licensed electrician. Installation of this equipment may require local electrical inspector approval.

BILL OF MATERIAL		
NO.	QTY.	DESCRIPTION
1	1	1/2, 3/4, 1, 1 1/4, 1 1/2, 3 CONC. KO
2	6	Ø .173
3	2	Ø .250 (PAINT LINE HANGER)



- NOTE:**
- ⊕ 1. DIE RUN COMPLETE
KC DIE #2875
 - ⊕ 2. WHEN SOLD AS "-SSH",
PACK WITH (2) 913638-SS.

CATALOG NO.	M2K NO.	MAT'L	P/N	M2K NO.
66GE	1003103	CRS	811061-SU	1173177
66GE-NK	1003166	CRS	811061-SUNK	1173178
66GE-NP	1004117	GALV	811061-SO	1002326
66GE-NK-NP	1011597	GALV	811061-NK	1002319

TOLERANCES:
UNLESS NOTED OTHERWISE

X.X	± .1
X.XX	± .03
X.XXX	± .015
X	± .2

THIRD ANGLE
 PROJECTION
 DRAWN: VJR
 CHKD:
 APPR:

REV	DATE	DESCRIPTION	BY
I	9/18/14	ADD CHART(ⓔECR2925)	SEM
H	10-13-98	REVISE KNOCKOUT ORIENTATION ALT #2032 DWG. INCORRECT	KO
H	9-24-98	CHANGE DIE LOCATION, DIM ALT #2032	KO
MATERIAL		16 GA. GALVANIZED	
FINISH		PAINTED MILBANK LIGHT GRAY	
CATALOG NUMBER		66GE	
TITLE		END COVER 6 x 6 GSC1 SCREW COVER WIREWAY	
CUSTOMER			
DRAWING NUMBER		811061-11	
SCALE:		NTS	
DATE:		6-1-90	
MILBANK MFG. CO.		GENERAL OFFICES KANSAS CITY, MO.	



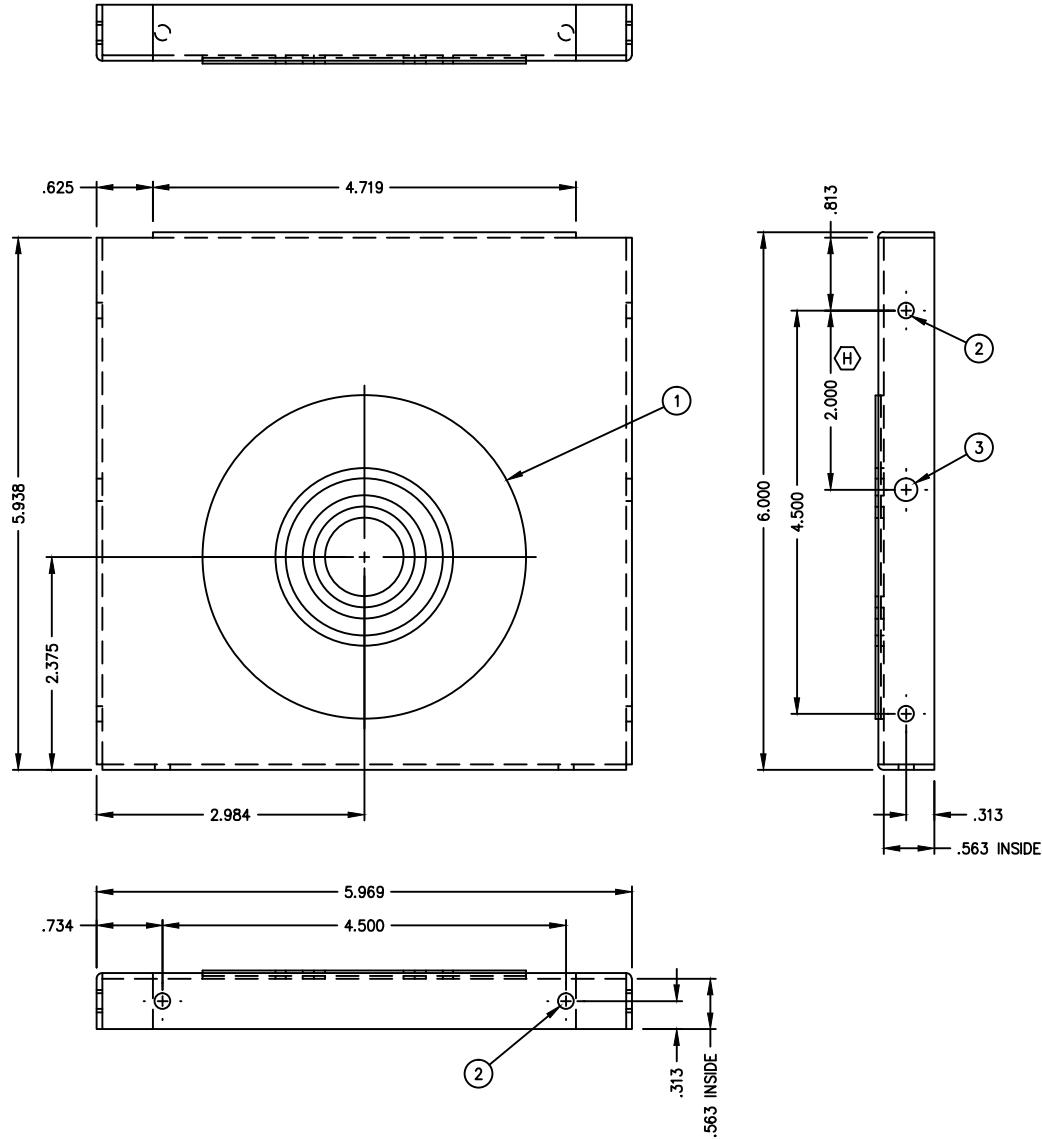
Catalog Number: 66GE-NK
Item Description: WIREWAY ACCESSORY
UPC Code: 784572108400

Brand Name: Milbank
Type: Wireway End
Application: Wireway Accessory
Standard: UL Listed, Type 1
Cover Type: Screw Cover
Enclosure: Indoor Enclosure
Material: Steel with Powder Coat Finish
Finish: ANSI 61 Gray
Knockouts: False



Utility requirements may vary. Always consult the serving utility for their requirements prior to ordering or installing this equipment. This product must always be installed by a licensed electrician. Installation of this equipment may require local electrical inspector approval.

BILL OF MATERIAL		
NO.	QTY.	DESCRIPTION
1	1	1/2, 3/4, 1, 1 1/4, 1 1/2, 3 CONC. KO
2	6	Ø .173
3	2	Ø .250 (PAINT LINE HANGER)



- NOTE:**
- 1. DIE RUN COMPLETE
KC DIE #2875
 - 2. WHEN SOLD AS "-SSH",
PACK WITH (2) 913638-SS.

REV.	DATE	DESCRIPTION	BY
I	9/18/14	ADD CHART(€ECR2925)	SEM
H	10-13-98	REVISE KNOCKOUT ORIENTATION ALT #2032 DWG. INCORRECT	KO
H	9-24-98	CHANGE DIE LOCATION, DIM ALT #2032	KO

MATERIAL	16 GA. GALVANIZED
FINISH	PAINTED MILBANK LIGHT GRAY

CATALOG NUMBER	66GE
TITLE	END COVER 6 x 6 GSC1 SCREW COVER WIREWAY

CUSTOMER	
DRAWING NUMBER	811061-11
MILBANK MFG. CO.	GENERAL OFFICES KANSAS CITY, MO.

CATALOG NO.	M2K NO.	MAT'L	P/N	M2K NO.
66GE	1003103	CRS	811061-SU	1173177
66GE-NK	1003166	CRS	811061-SUNK	1173178
66GE-NP	1004117	GALV	811061-SO	1002326
66GE-NK-NP	1011597	GALV	811061-NK	1002319

TOLERANCES:
UNLESS NOTED OTHERWISE

X.X ± .1
X.XX ± .03
X.XXX ± .015
X ± .2

THIRD ANGLE
PROJECTION

DRAWN: VJR
CHKD:
APPR:

SCALE: NTS
DATE:
6-1-90