



Catalog Number: 666-SC1
Item Description: N1 SCREW COVER ENCL
UPC Code: 784572108189

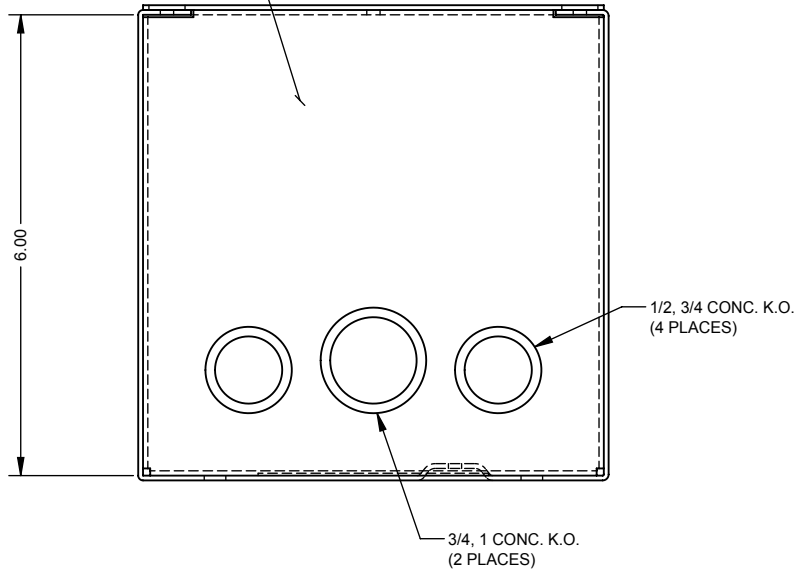
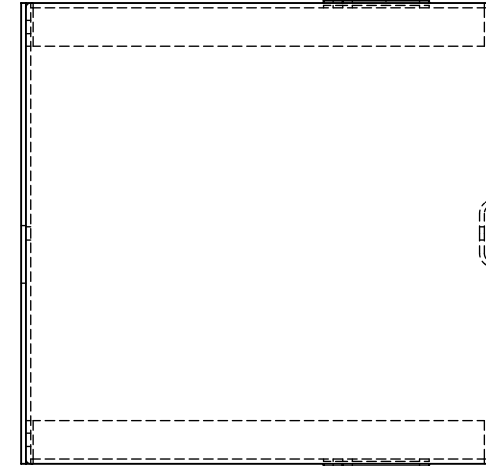
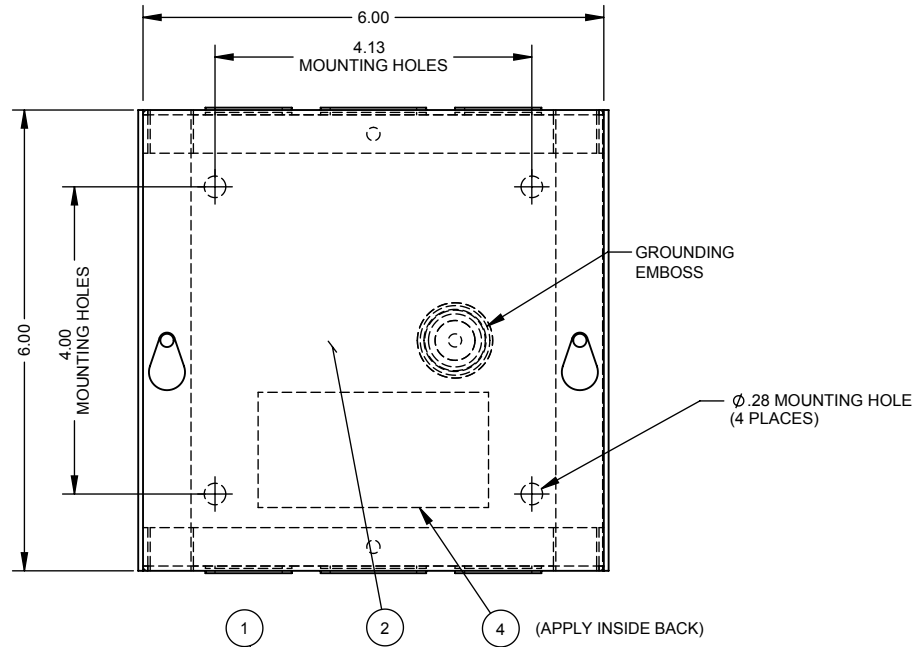
Brand Name: Milbank
Type: Screw Cover
Special Features: Cover Secured with Plated Screws
Application: Enclosure for Mounting Electrical Equipment
Standard: UL Listed
Number Of Outlet: 0
Material: Steel with Powder Coat Finish
Color: ANSI 61 Gray
Mounting: Wall Mount
NEMA Rating: Type 1



Utility requirements may vary. Always consult the serving utility for their requirements prior to ordering or installing this equipment. This product must always be installed by a licensed electrician. Installation of this equipment may require local electrical inspector approval.

CATALOG#	LABEL#
666-SC1	1002135
RC-666-SC1	1125021
SPSC-666	1132714
SPSC-666N	1132714

ITEM	QTY.	PART NUMBER	DESCRIPTION
1	1	(SEE CHART)	BACK WELDMENT
2	1	(SEE CHART)	COVER PLATE
3	1	1002170	BAG ASS'Y (SEE NOTE)
4	1	(SEE CHART)	U/L LISTING LABEL
5	1	1002475	BAG ASSY (GROUND SCREW)
6	0.166	1002133	CARTON 6-PER (NOT SHOWN)




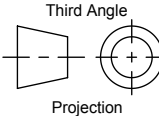
SUFFIX	FINISH	WELDMENT NO.	PLATE NO.	INSTALL KOs
NONE	MILBANK LIGHT GRAY	1161975	1156568	YES
-NP	NONE	1161977	1003322	
-NK	MILBANK LIGHT GRAY	1161976	1156568	NO
-NK-NP	NONE	1161978	1003322	

NOTES:

1. PLACE BAG ASS'Y INSIDE ENCLOSURE (NOT SHOWN).

NEMA DWG.: #124

D4	11/20/12	CHART VERSIONS (ECO #23228)	DF					Scale:	NTS	Checked By:		Drawing No.:	1003060	
								Drawn By:	DY	Approved By:		Date:	04/26/01	Sheet 1 of 1

Material:	16 GA. GALV. STEEL		 General Offices: Kansas City, MO		
Finish:	SEE CHART				
Tolerances: Unless Specified Otherwise X.X ±.1 X.XX ±.03 X.XXX ±.015 X° ±2°		Third Angle 	Title:	666 SCREW COVER TYPE 1 ENCLOSURE	
			Catalog No.:	(SEE CHART)	
			Customer:	MILBANK STANDARD	
			Drawing No.:	1003060	
		Scale:	NTS	Checked By:	
		Drawn By:	DY	Approved By:	
		Date:	04/26/01	Sheet	1 of 1



Catalog Number: 666-SC1
Item Description: N1 SCREW COVER ENCL
UPC Code: 784572108189

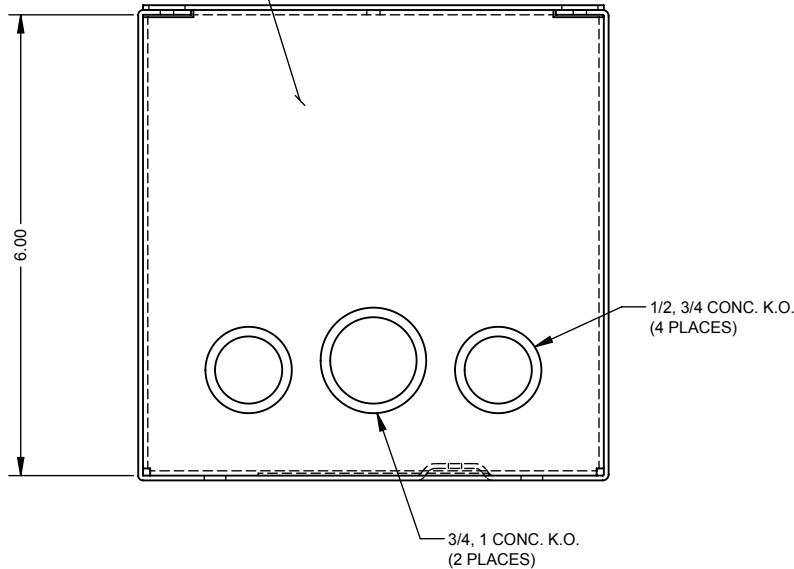
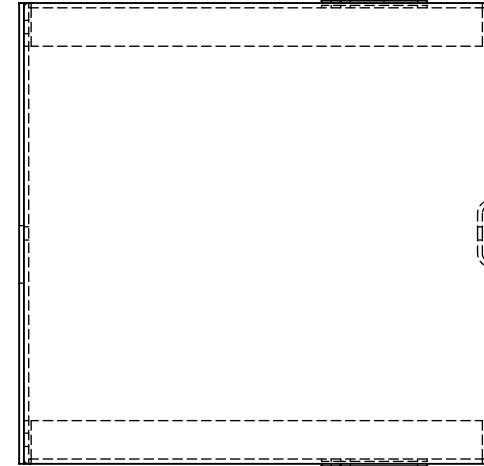
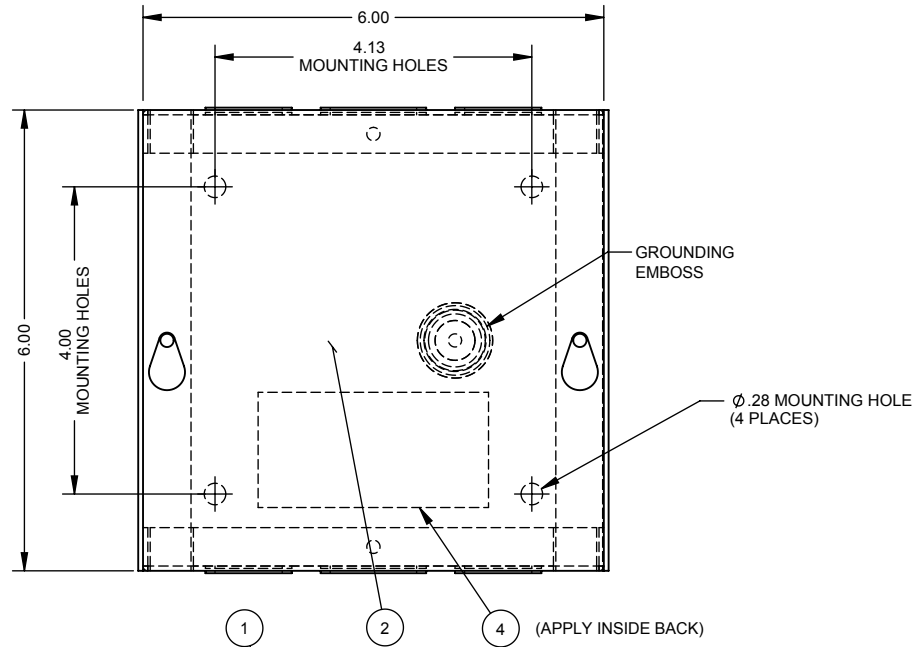
Brand Name: Milbank
Type: Screw Cover
Special Features: Cover Secured with Plated Screws
Application: Enclosure for Mounting Electrical Equipment
Standard: UL Listed
Number Of Outlet: 0
Material: Steel with Powder Coat Finish
Color: ANSI 61 Gray
Mounting: Wall Mount
NEMA Rating: Type 1



Utility requirements may vary. Always consult the serving utility for their requirements prior to ordering or installing this equipment. This product must always be installed by a licensed electrician. Installation of this equipment may require local electrical inspector approval.

CATALOG#	LABEL#
666-SC1	1002135
RC-666-SC1	1125021
SPSC-666	1132714
SPSC-666N	1132714

ITEM	QTY.	PART NUMBER	DESCRIPTION
1	1	(SEE CHART)	BACK WELDMENT
2	1	(SEE CHART)	COVER PLATE
3	1	1002170	BAG ASS'Y (SEE NOTE)
4	1	(SEE CHART)	U/L LISTING LABEL
5	1	1002475	BAG ASSY (GROUND SCREW)
6	0.166	1002133	CARTON 6-PER (NOT SHOWN)




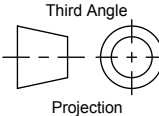
SUFFIX	FINISH	WELDMENT NO.	PLATE NO.	INSTALL KOs
NONE	MILBANK LIGHT GRAY	1161975	1156568	YES
-NP	NONE	1161977	1003322	
-NK	MILBANK LIGHT GRAY	1161976	1156568	NO
-NK-NP	NONE	1161978	1003322	

NOTES:

1. PLACE BAG ASS'Y INSIDE ENCLOSURE (NOT SHOWN).

NEMA DWG.: #124

D4	11/20/12	CHART VERSIONS (ECO #23228)	DF					Scale:	NTS	Checked By:		Drawing No.:	1003060
								Drawn By:	DY	Approved By:		Date:	04/26/01 Sheet 1 of 1

Material:	16 GA. GALV. STEEL	 General Offices: Kansas City, MO
Finish:	SEE CHART	
Tolerances: Unless Specified Otherwise X.X ±.1 X.XX ±.03 X.XXX ±.015 X° ±2°		Title:
 Third Angle Projection		666 SCREW COVER TYPE 1 ENCLOSURE
		Catalog No.:
		Customer:
		MILBANK STANDARD