

SYLVANIA Luminaires

UltraLED™ CCT Selectable Cutoff Wall Pack

Application

The Wall Pack luminaires are environmentally preferable LED alternatives to traditional HID luminaires, offering up to 74% in energy savings. Ideal in place of traditional luminaires, or as new installations, the Wall Pack series is offered in several wattages/lumen packages for illuminating building exteriors, outdoor corridors, walkways, and stairwells.

Benefits and Features

- DLC Premium listing and wattage and lumen selectability provide high energy efficacy and optimize this product for utility rebates
- Integral Photocontrol included
- Optional Emergency Battery Back-up on selected wattages
- Traditional sizes allow seamless replacement of existing luminaires
- IP65 rated body and glass lens ensures a resilient and long-lasting product
- Up to 120 LPW
- Selectable 3000K, 4000K or 5000K color temperatures
- CRI >80
- Offered in 40, 60, 80 or 120 watts
- Energy savings up to 74%

Electrical

- 120-277V_{AC}, 120-347V_{AC}, 347/480V_{AC}
- Power Factor >90%
- THD <20%
- 0-10V dimmable

Rated Life

- 150,000 hours (L₇₀@25°C)

Warranty

- 5-year
- NLB Trusted Warranty Program

Ambient Operating Range

- -40°F to +122°F (-40°C to +50°C)
- +32°F to +122°F (0°C to +50°C) (Emergency Versions)

| |
|---------|
| Item # |
| Type |
| Project |
| Notes |
| |
| Date |

40/60/80W



120W



Wattage Comparison

| Traditional Source | Traditional System Wattage | LED System Wattage | Energy Savings |
|--------------------|----------------------------|--------------------|----------------|
| 70W HPS | 91 | 40 | 56% |
| 100W HPS | 120 | 40 | 67% |
| 100W MH | 130 | 40 | 69% |
| 150W HPS | 170 | 60 | 65% |
| 150W MH | 188 | 60 | 68% |
| 175W MH | 210 | 60 | 71% |
| 175W MH | 210 | 80 | 62% |
| 250W MH | 290 | 80 | 72% |
| 250W HPS | 295 | 80 | 73% |
| 320W MH | 370 | 120 | 68% |
| 400W HPS | 464 | 120 | 74% |
| 400W MH | 458 | 120 | 74% |

Certifications and Listings

- cULus
- RoHS
- FCC
- DLC 5.1 Premium
- Dark Sky Compliant*

*DLC Dark Sky Compliant for 3000K products only

Installation

- Luminaire mounts to exterior wall



Ordering Guide

| WALPAKC | 5X | / XXX | XXX | D | 8 | SC2 | / C1 | / BZ | / XX |
|------------------|------------------|-----------------|----------------|-----------|---------|-----------------------------|---------------|--------------|---|
| Product Name | Generation/Size* | Wattage | Voltage | Dimming | CRI | Color Temp | Distribution | Color/Finish | Options |
| WALPAKC = | 5B, 5C | 040 = 40 Watts | UNV = 120-277V | D = 0-10V | 8 = >80 | SC2 = 3000K, 4000K or 5000K | C1 = Type III | BZ = Bronze | P = Photocontrol PE = Photocontrol + Emergency Battery Back-up |
| Cutoff Wall Pack | | 060 = 60 Watts | UNH = 120-347V | dimming | | | | | |
| | | 080 = 80 Watts | DHV= 347/480V | | | | | | |
| | | 120 = 120 Watts | | | | | | | |

*5B = 40, 60 or 80W
5C = 120W only

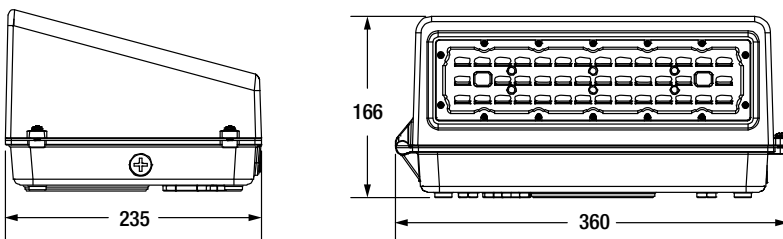
Ordering Information

| Item Number | Ordering Abbreviation | Wattage (W) | Input Voltage (V) | Dimming | CRI | Color Temperature (CCT) | Distribution | BUG Rating | Total Fixture Lumens | LPW | Color | DLC | Option Included |
|-------------|--------------------------------|-------------|-------------------|---------|-----|-------------------------|--------------|------------|----------------------|-----|--------|---------|--|
| 61833 | WALPAKC5B/040UNVD8SC2/C1/BZ/P | 40 | 120-277 | 0-10V | >80 | 3000/4000/5000K | Type III | B2U0G1 | 4800 | 120 | Bronze | Premium | Photocontrol |
| 61834 | WALPAKC5B/060UNVD8SC2/C1/BZ/P | 60 | 120-277 | 0-10V | >80 | 3000/4000/5000K | Type III | B2U0G1 | 7200 | 120 | Bronze | Premium | Photocontrol |
| 61835 | WALPAKC5B/080UNVD8SC2/C1/BZ/P | 80 | 120-277 | 0-10V | >80 | 3000/4000/5000K | Type III | B3U0G1 | 9600 | 120 | Bronze | Premium | Photocontrol |
| 61841 | WALPAKC5C/120UNVD8SC2/C1/BZ/P | 120 | 120-277 | 0-10V | >80 | 3000/4000/5000K | Type III | B3U0G2 | 14,400 | 120 | Bronze | Premium | Photocontrol |
| 61836 | WALPAKC5B/040UNVD8SC2/C1/BZ/PE | 40 | 120-277 | 0-10V | >80 | 3000/4000/5000K | Type III | B2U0G1 | 4800 | 120 | Bronze | Premium | Photocontrol + Emergency Battery Back-up |
| 61837 | WALPAKC5B/060UNVD8SC2/C1/BZ/PE | 60 | 120-277 | 0-10V | >80 | 3000/4000/5000K | Type III | B2U0G1 | 7200 | 120 | Bronze | Premium | Photocontrol + Emergency Battery Back-up |
| 62892 | WALPAKC5B/040UNHD8SC2/C1/BZ/P | 40 | 120-347 | 0-10V | >80 | 3000/4000/5000K | Type III | B2U0G1 | 4800 | 120 | Bronze | Premium | Photocontrol |
| 62894 | WALPAKC5B/060UNHD8SC2/C1/BZ/P | 60 | 120-347 | 0-10V | >80 | 3000/4000/5000K | Type III | B2U0G1 | 7200 | 120 | Bronze | Premium | Photocontrol |
| 62896 | WALPAKC5B/080DHVD8SC2/C1/BZ/P | 80 | 347/480 | 0-10V | >80 | 3000/4000/5000K | Type III | B3U0G1 | 9600 | 120 | Bronze | Premium | Photocontrol |
| 62897 | WALPAKC5C/120DHVD8SC2/C1/BZ/P | 120 | 347/480 | 0-10V | >80 | 3000/4000/5000K | Type III | B3U0G2 | 14,400 | 120 | Bronze | Premium | Photocontrol |

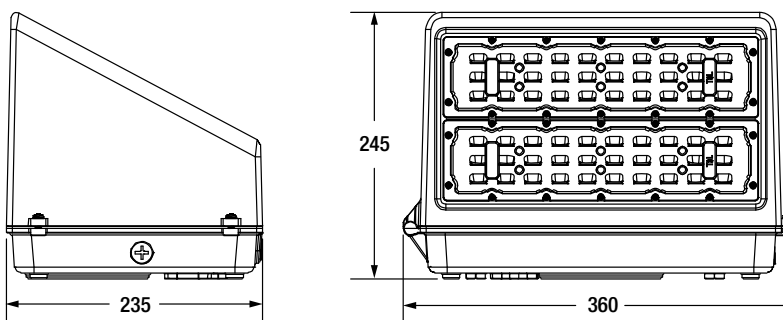
Physical Information

| Lamp Description | Length (inches) | Width (inches) | Height (inches) |
|------------------|-----------------|----------------|-----------------|
| 40W | 14.2 | 9.3 | 6.5 |
| 60W | 14.2 | 9.3 | 6.5 |
| 80W | 14.2 | 9.3 | 6.5 |
| 120W | 14.2 | 9.3 | 9.6 |

40/60/80W



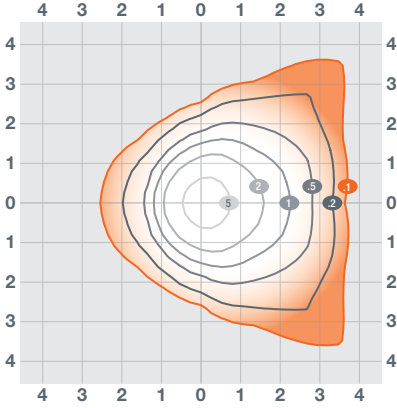
120W



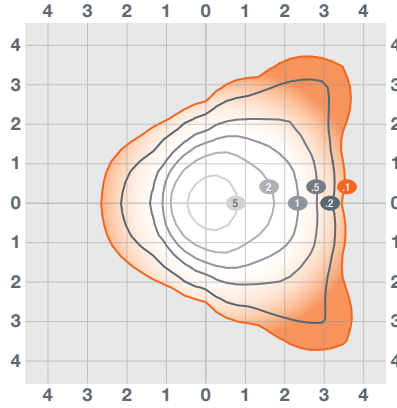
Dimensions in mm

Photometric Information

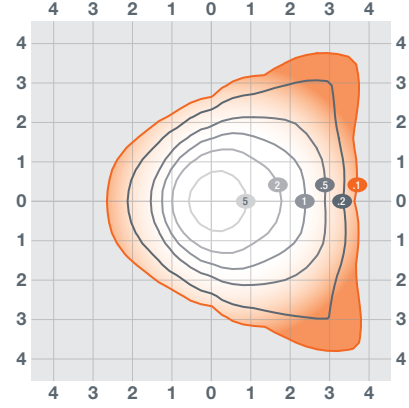
40W 15' Mounting Height



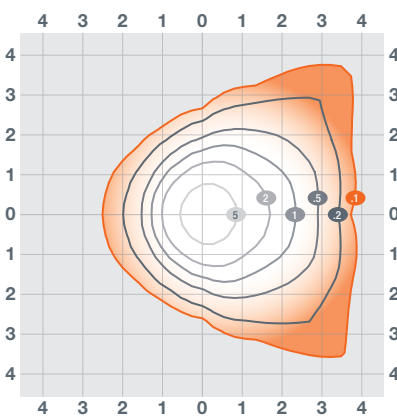
60W 18' Mounting Height



80W 20' Mounting Height



120W 25' Mounting Height



LEDVANCE LLC
 181 Ballardvale Street, Suite 203
 Wilmington, MA 01887 USA
 Phone 1-800-LIGHTBULB (1-800-544-4828)
www.ledvanceUS.com

SYLVANIA and LEDVANCE are registered trademarks.
 All other trademarks are those of their respective owners.
 Licensee of product trademark SYLVANIA in general lighting.
 Specifications subject to change without notice.



SCAN TO FOLLOW US
 ON SOCIAL MEDIA

Name: _____
 Email: _____
 Phone: _____



SYLVANIA Luminaires

UltraLED™ CCT Selectable Cutoff Wall Pack

Application

The Wall Pack luminaires are environmentally preferable LED alternatives to traditional HID luminaires, offering up to 74% in energy savings. Ideal in place of traditional luminaires, or as new installations, the Wall Pack series is offered in several wattages/lumen packages for illuminating building exteriors, outdoor corridors, walkways, and stairwells.

Benefits and Features

- DLC Premium listing and wattage and lumen selectability provide high energy efficacy and optimize this product for utility rebates
- Integral Photocontrol included
- Optional Emergency Battery Back-up on selected wattages
- Traditional sizes allow seamless replacement of existing luminaires
- IP65 rated body and glass lens ensures a resilient and long-lasting product
- Up to 120 LPW
- Selectable 3000K, 4000K or 5000K color temperatures
- CRI >80
- Offered in 40, 60, 80 or 120 watts
- Energy savings up to 74%

Electrical

- 120-277VAC, 120-347VAC, 347/480VAC
- Power Factor >90%
- THD <20%
- 0-10V dimmable

Rated Life

- 150,000 hours (L₇₀@25°C)

Warranty

- 5-year
- NLB Trusted Warranty Program

Ambient Operating Range

- -40°F to +122°F (-40°C to +50°C)
- +32°F to +122°F (0°C to +50°C) (Emergency Versions)

| |
|---------|
| Item # |
| Type |
| Project |
| Notes |
| |
| Date |

40/60/80W



120W



Wattage Comparison

| Traditional Source | Traditional System Wattage | LED System Wattage | Energy Savings |
|--------------------|----------------------------|--------------------|----------------|
| 70W HPS | 91 | 40 | 56% |
| 100W HPS | 120 | 40 | 67% |
| 100W MH | 130 | 40 | 69% |
| 150W HPS | 170 | 60 | 65% |
| 150W MH | 188 | 60 | 68% |
| 175W MH | 210 | 60 | 71% |
| 175W MH | 210 | 80 | 62% |
| 250W MH | 290 | 80 | 72% |
| 250W HPS | 295 | 80 | 73% |
| 320W MH | 370 | 120 | 68% |
| 400W HPS | 464 | 120 | 74% |
| 400W MH | 458 | 120 | 74% |

Certifications and Listings

- cULus
- RoHS
- FCC
- DLC 5.1 Premium
- Dark Sky Compliant*

*DLC Dark Sky Compliant for 3000K products only

Installation

- Luminaire mounts to exterior wall



Ordering Guide

| WALPAKC | 5X | / XXX | XXX | D | 8 | SC2 | / C1 | / BZ | / XX |
|------------------|------------------|-----------------|----------------|-----------|---------|-----------------------------|---------------|--------------|---|
| Product Name | Generation/Size* | Wattage | Voltage | Dimming | CRI | Color Temp | Distribution | Color/Finish | Options |
| WALPAKC = | 5B, 5C | 040 = 40 Watts | UNV = 120-277V | D = 0-10V | 8 = >80 | SC2 = 3000K, 4000K or 5000K | C1 = Type III | BZ = Bronze | P = Photocontrol PE = Photocontrol + Emergency Battery Back-up |
| Cutoff Wall Pack | | 060 = 60 Watts | UNH = 120-347V | dimming | | | | | |
| | | 080 = 80 Watts | DHV= 347/480V | | | | | | |
| | | 120 = 120 Watts | | | | | | | |

*5B = 40, 60 or 80W
5C = 120W only

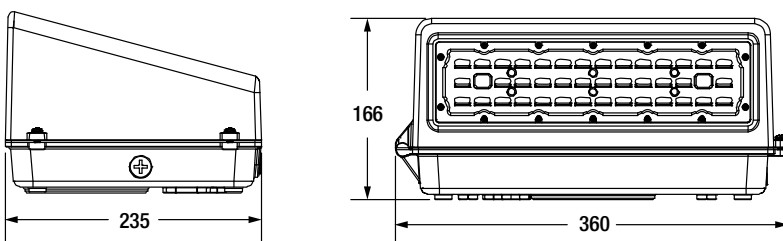
Ordering Information

| Item Number | Ordering Abbreviation | Wattage (W) | Input Voltage (V) | Dimming | CRI | Color Temperature (CCT) | Distribution | BUG Rating | Total Fixture Lumens | LPW | Color | DLC | Option Included |
|-------------|--------------------------------|-------------|-------------------|---------|-----|-------------------------|--------------|------------|----------------------|-----|--------|---------|--|
| 61833 | WALPAKC5B/040UNVD8SC2/C1/BZ/P | 40 | 120-277 | 0-10V | >80 | 3000/4000/5000K | Type III | B2U0G1 | 4800 | 120 | Bronze | Premium | Photocontrol |
| 61834 | WALPAKC5B/060UNVD8SC2/C1/BZ/P | 60 | 120-277 | 0-10V | >80 | 3000/4000/5000K | Type III | B2U0G1 | 7200 | 120 | Bronze | Premium | Photocontrol |
| 61835 | WALPAKC5B/080UNVD8SC2/C1/BZ/P | 80 | 120-277 | 0-10V | >80 | 3000/4000/5000K | Type III | B3U0G1 | 9600 | 120 | Bronze | Premium | Photocontrol |
| 61841 | WALPAKC5C/120UNVD8SC2/C1/BZ/P | 120 | 120-277 | 0-10V | >80 | 3000/4000/5000K | Type III | B3U0G2 | 14,400 | 120 | Bronze | Premium | Photocontrol |
| 61836 | WALPAKC5B/040UNVD8SC2/C1/BZ/PE | 40 | 120-277 | 0-10V | >80 | 3000/4000/5000K | Type III | B2U0G1 | 4800 | 120 | Bronze | Premium | Photocontrol + Emergency Battery Back-up |
| 61837 | WALPAKC5B/060UNVD8SC2/C1/BZ/PE | 60 | 120-277 | 0-10V | >80 | 3000/4000/5000K | Type III | B2U0G1 | 7200 | 120 | Bronze | Premium | Photocontrol + Emergency Battery Back-up |
| 62892 | WALPAKC5B/040UNHD8SC2/C1/BZ/P | 40 | 120-347 | 0-10V | >80 | 3000/4000/5000K | Type III | B2U0G1 | 4800 | 120 | Bronze | Premium | Photocontrol |
| 62894 | WALPAKC5B/060UNHD8SC2/C1/BZ/P | 60 | 120-347 | 0-10V | >80 | 3000/4000/5000K | Type III | B2U0G1 | 7200 | 120 | Bronze | Premium | Photocontrol |
| 62896 | WALPAKC5B/080DHVD8SC2/C1/BZ/P | 80 | 347/480 | 0-10V | >80 | 3000/4000/5000K | Type III | B3U0G1 | 9600 | 120 | Bronze | Premium | Photocontrol |
| 62897 | WALPAKC5C/120DHVD8SC2/C1/BZ/P | 120 | 347/480 | 0-10V | >80 | 3000/4000/5000K | Type III | B3U0G2 | 14,400 | 120 | Bronze | Premium | Photocontrol |

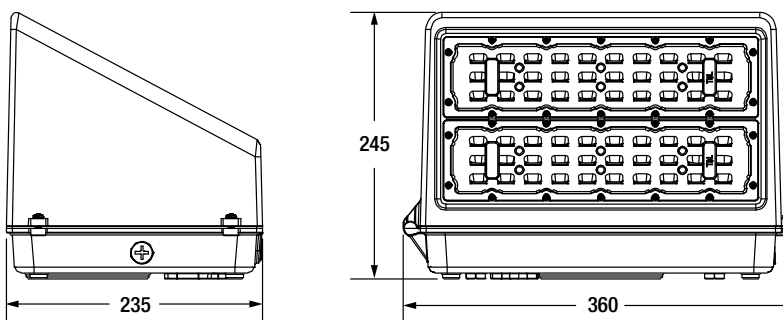
Physical Information

| Lamp Description | Length (inches) | Width (inches) | Height (inches) |
|------------------|-----------------|----------------|-----------------|
| 40W | 14.2 | 9.3 | 6.5 |
| 60W | 14.2 | 9.3 | 6.5 |
| 80W | 14.2 | 9.3 | 6.5 |
| 120W | 14.2 | 9.3 | 9.6 |

40/60/80W



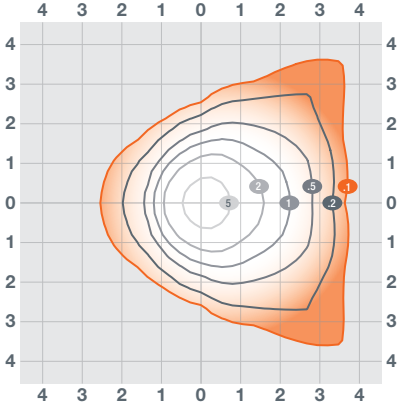
120W



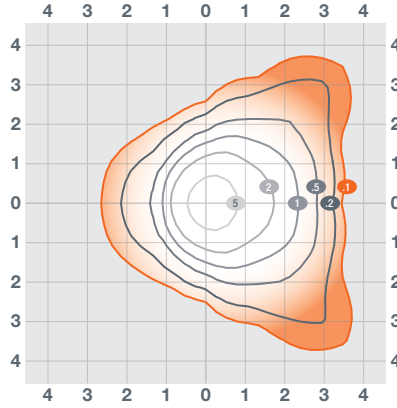
Dimensions in mm

Photometric Information

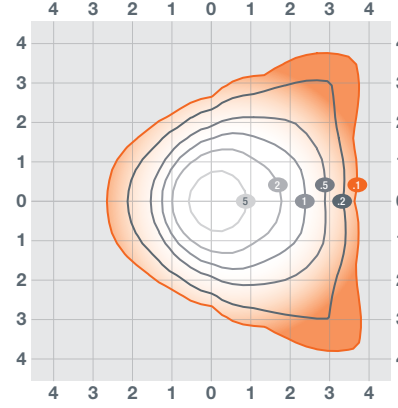
40W 15' Mounting Height



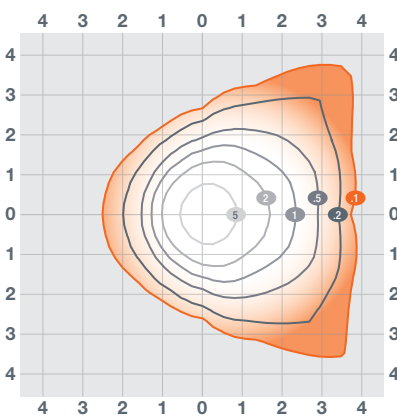
60W 18' Mounting Height



80W 20' Mounting Height



120W 25' Mounting Height



LEDVANCE LLC
 181 Ballardvale Street, Suite 203
 Wilmington, MA 01887 USA
 Phone 1-800-LIGHTBULB (1-800-544-4828)
www.ledvanceUS.com

SYLVANIA and LEDVANCE are registered trademarks.
 All other trademarks are those of their respective owners.
 Licensee of product trademark SYLVANIA in general lighting.
 Specifications subject to change without notice.



SCAN TO FOLLOW US
 ON SOCIAL MEDIA

Name: _____

Email: _____

Phone: _____

