

## Liquid Tight Connectors

Catalog Number: PR5332

UPC: 784011208418

### Description

#### 1/2 Inch Straight LT Connector

PVC coated liquid tight connectors are used with liquid tight conduit to wire motors, transformers, processing equipment, pumps, etc. The flexible conduit and the PVC coated connector work together to seal out water and other corrosive liquids, protecting the conductors from damage.

### Application

- Used with liquid tight conduit to wire motors, transformers, processing equipment, pumps, and more.

### Features

- 40 mil gray PVC exterior coating
- 2 mil red urethane interior coating
- 13 trade sizes from 3/8" through 6"
- Sealing sleeves on all conduit openings
- Available in straight, 45° or 90° body configurations
- Available with an external grounding lug

### General

|                  |   |
|------------------|---|
| Material:        | FERROUS METAL                                 |
| Exterior Finish: | A nominal .040 inch (40 mil) gray PVC coating |
| Interior Finish: | A nominal .002 inch (2 mil) red urethane      |
| Configuration:   | STRAIGHT                                      |

### Dimensions

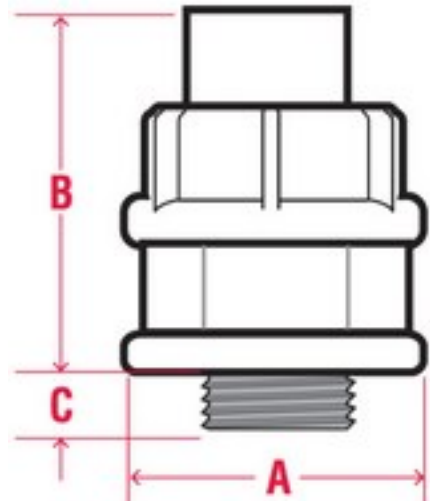
|                         |      |
|-------------------------|------|
| Dimension A (Inches)    | 1.46 |
| Dimension B (Inches)    | 1.56 |
| Dimension C (Inches)    | 0.56 |
| Nominal Weight (Pounds) | 0.2  |

### Technical / Specification Documents

|                                   |                      |
|-----------------------------------|----------------------|
| Specification Guide (1995 Master) | AVAILABLE ON WEBSITE |
| Specification Guide (2004 Master) | AVAILABLE ON WEBSITE |
| Installer Certification and Tools | AVAILABLE ON WEBSITE |
| Chemical Resistance Charts        | AVAILABLE ON WEBSITE |
| Performance Specifications        | AVAILABLE ON WEBSITE |

### Standards

|                                |             |
|--------------------------------|-------------|
| UL 514B (Steel fittings only): | E200413     |
| UL 467 (Steel Fittings only):  | E217890     |
| ETL PVC-001 Verified:          | 3072346-004 |



## Liquid Tight Connectors

Catalog Number: PR5332

UPC: 784011208418

### Description

#### 1/2 Inch Straight LT Connector

PVC coated liquid tight connectors are used with liquid tight conduit to wire motors, transformers, processing equipment, pumps, etc. The flexible conduit and the PVC coated connector work together to seal out water and other corrosive liquids, protecting the conductors from damage.

### Application

- Used with liquid tight conduit to wire motors, transformers, processing equipment, pumps, and more.

### Features

- 40 mil gray PVC exterior coating
- 2 mil red urethane interior coating
- 13 trade sizes from 3/8" through 6"
- Sealing sleeves on all conduit openings
- Available in straight, 45° or 90° body configurations
- Available with an external grounding lug

### General

|                  |   |
|------------------|---|
| Material:        | FERROUS METAL                                 |
| Exterior Finish: | A nominal .040 inch (40 mil) gray PVC coating |
| Interior Finish: | A nominal .002 inch (2 mil) red urethane      |
| Configuration:   | STRAIGHT                                      |

### Dimensions

|                         |      |
|-------------------------|------|
| Dimension A (Inches)    | 1.46 |
| Dimension B (Inches)    | 1.56 |
| Dimension C (Inches)    | 0.56 |
| Nominal Weight (Pounds) | 0.2  |

### Technical / Specification Documents

|                                   |                      |
|-----------------------------------|----------------------|
| Specification Guide (1995 Master) | AVAILABLE ON WEBSITE |
| Specification Guide (2004 Master) | AVAILABLE ON WEBSITE |
| Installer Certification and Tools | AVAILABLE ON WEBSITE |
| Chemical Resistance Charts        | AVAILABLE ON WEBSITE |
| Performance Specifications        | AVAILABLE ON WEBSITE |

### Standards

|                                |             |
|--------------------------------|-------------|
| UL 514B (Steel fittings only): | E200413     |
| UL 467 (Steel Fittings only):  | E217890     |
| ETL PVC-001 Verified:          | 3072346-004 |

