

Beacons

Rotating Halogen or Incandescent

52, 53 and 53D Series

Edwards 52, 53 and 53D Series rotating beacons are visual signals suitable for use in indoor or outdoor applications to provide maximum brilliance and long-term durability with minimum maintenance. The polycarbonate dome allows for easy cleaning.

The 52, 53 and 53D Series are ideal for use in high ambient noise applications, including security systems and factory/distribution facilities. The 53D Series is Diode Polarized for use in electrically supervised circuits.

Features and Specifications

- Halogen or Incandescent light source
- Light intensifying reflector
- Bayonet lamp socket for easy replacement
- Cast base can function as a junction box
- 1/2" NPT conduit or surface mounting
- For indoor applications, beacon may be mounted with lens pointing upward or downward
- For outdoor applications, lens should face up
- 52 Series must be conduit mounted for outdoor applications
- 53D is only suitable for indoor applications
- Designed for 4" octagonal box mounting
- Operating temperature range: -31°F to 150°F (-35°C to 66°C)



Ordering Information									
Description	Cat. No.	Operating Voltage ¹	Current	Lens Colors	Lamp Ratings	Revolution Rate	Replacement		
							Lens	Lamp	
Halogen AC	52A-G5-20WH	24V AC	0.80 A	Amber	20 watts	75 rpm	52-LA	50LMP-20WH or Industry Trade No. 1692 ^{4,5}	
	52B-G5-20WH	24V AC	0.80 A	Blue		75 rpm	52-LB		
	52C-G5-20WH	24V AC	0.80 A	Clear	226 lumens ²	75 rpm	52-LC		
	52G-G5-20WH	24V AC	0.80 A	Green	2839 cp	75 rpm	52-LG		
	52M-G5-20WH	24V AC	0.80 A	Magenta	25,000 hours ³	75 rpm	52-LM		
	52R-G5-20WH	24V AC	0.80 A	Red	75 rpm	52-LR			
	52A-N5-40WH	120V AC	0.35 A	Amber	40 watts	75 rpm	52-LA		50LMP-40WH
	52B-N5-40WH	120V AC	0.35 A	Blue		75 rpm	52-LB		
	52C-N5-40WH	120V AC	0.35 A	Clear	265 lumens ²	75 rpm	52-LC		
	52G-N5-40WH	120V AC	0.35 A	Green	3328 cp	75 rpm	52-LG		
52M-N5-40WH	120V AC	0.35 A	Magenta	25,000 hours ³	75 rpm	52-LM			
52R-N5-40WH	120V AC	0.35 A	Red	75 rpm	52-LR				
Incandescent AC	52A-R5	240V AC	0.10 A	Amber	25 watts	75 rpm	52-LA	P-041917-0039 or Industry Trade No. 25T8/240V/DC/CL ⁵	
	52B-R5	240V AC	0.10 A	Blue		75 rpm	52-LB		
	52C-R5	240V AC	0.10 A	Clear	232 lumens ²	75 rpm	52-LC		
	52G-R5	240V AC	0.10 A	Green	2914 cp	75 rpm	52-LG		
	52M-R5	240V AC	0.10 A	Magenta	120 hours ³	75 rpm	52-LM		
Incandescent DC	52R-R5	240V AC	0.10 A	Red	75 rpm	52-LR			
	53A-E1	12V DC	1.8 A	Amber	25 watts	75 rpm	52-LA	Industry Trade No. 1076 ⁵	
	53B-E1	12V DC	1.8 A	Blue		402 lumens ²	75 rpm		52-LB
	53C-E1	12V DC	1.8 A	Clear	5049 cp	75 rpm	52-LC		
	53G-E1	12V DC	1.8 A	Green	200 hours ³	75 rpm	52-LG		
53R-E1	12V DC	1.8 A	Red	75 rpm	52-LR				

¹AC voltage frequency is 50/60 Hz

²Bulb manufacturer's lumen rating

³Projected lamp life based on manufacturer's calculated lamp life at 65 rpm and 50% duty cycle.

⁴Incandescent lamp

⁵User supplied



Beacons

Rotating Halogen or Incandescent

52, 53 and 53D Series

Ordering Information		Continued						
Description	Cat. No.	Operating Voltage	Current	Lens Colors	Lamp Ratings	Revolution Rate	Replacement	
							Lens	Lamp
Incandescent DC (continued)	53A-G1	24V DC	1.0 A	Amber	25 watts 402 lumens ¹ 5049 cp 500 hours ²	75 rpm	52-LA	Industry Trade No. 1638 ³
	53B-G1	24V DC	1.0 A	Blue		75 rpm	52-LB	
	53C-G1	24V DC	1.0 A	Clear		75 rpm	52-LC	
	53G-G1	24V DC	1.0 A	Green		75 rpm	52-LG	
	53R-G1	24V DC	1.0 A	Red		75 rpm	52-LR	
Incandescent Diode Polarized DC	53DA-GW	24 - 28V DC	1.0 A	Amber	25 watts 402 lumens ¹ 5049 cp 500 hours ²	75 rpm	52-LA	Industry Trade No. 1638 ³
	53DB-GW	24 - 28V DC	1.0 A	Blue		75 rpm	52-LB	
	53DC-GW	24 - 28V DC	1.0 A	Clear		75 rpm	52-LC	
	53DG-GW	24 - 28V DC	1.0 A	Green		75 rpm	52-GC	
	53DR-GW	24 - 28V DC	1.0 A	Red		75 rpm	52-LR	

¹Bulb manufacturer's lumen rating

²Projected lamp life based on manufacturer's calculated lamp life at 65 rpm and 50% duty cycle.

³User supplied

Accessories	
Description	Cat. No.
Corner Mount Bracket	CBR
Wall Mount Bracket	WBR



CBR
Corner Mount Bracket

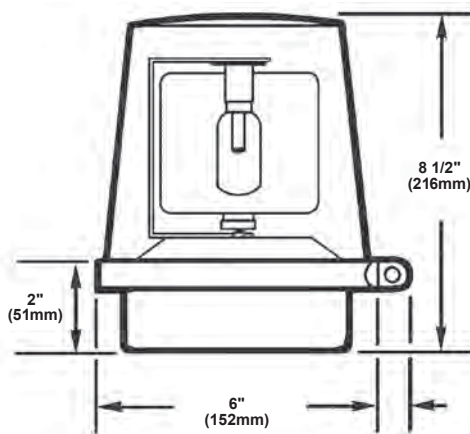


WBR
Wall Mount Bracket

Weights and Dimensions		
Cat. No.	Approx. Net Weight (lb.)	Approx. Shipping Weight (lb.)
52*-G5-20WH	1.88	2.21
52*-N5-40WH	2.40	2.80
52*-R5	1.88	2.21
53†-E1	1.62	1.96
53†-G1	1.62	1.96
53D†-GW	1.62	1.96
CBR	4.00	4.20
WBR	2.30	2.50

*Letter in this position designates lens color: A - amber, B - blue, C - clear, G - green, M - magenta or R - red

†Letter in this position designates lens color: A - amber, B - blue, C - clear, G - green or R - red



Beacons

Rotating Halogen or Incandescent

52, 53 and 53D Series

Edwards 52, 53 and 53D Series rotating beacons are visual signals suitable for use in indoor or outdoor applications to provide maximum brilliance and long-term durability with minimum maintenance. The polycarbonate dome allows for easy cleaning.

The 52, 53 and 53D Series are ideal for use in high ambient noise applications, including security systems and factory/distribution facilities. The 53D Series is Diode Polarized for use in electrically supervised circuits.

Features and Specifications

- Halogen or Incandescent light source
- Light intensifying reflector
- Bayonet lamp socket for easy replacement
- Cast base can function as a junction box
- 1/2" NPT conduit or surface mounting
- For indoor applications, beacon may be mounted with lens pointing upward or downward
- For outdoor applications, lens should face up
- 52 Series must be conduit mounted for outdoor applications
- 53D is only suitable for indoor applications
- Designed for 4" octagonal box mounting
- Operating temperature range: -31°F to 150°F (-35°C to 66°C)



Ordering Information									
Description	Cat. No.	Operating Voltage ¹	Current	Lens Colors	Lamp Ratings	Revolution Rate	Replacement		
							Lens	Lamp	
Halogen AC	52A-G5-20WH	24V AC	0.80 A	Amber	20 watts	75 rpm	52-LA	50LMP-20WH or Industry Trade No. 1692 ^{4,5}	
	52B-G5-20WH	24V AC	0.80 A	Blue		75 rpm	52-LB		
	52C-G5-20WH	24V AC	0.80 A	Clear	226 lumens ²	75 rpm	52-LC		
	52G-G5-20WH	24V AC	0.80 A	Green	2839 cp	75 rpm	52-LG		
	52M-G5-20WH	24V AC	0.80 A	Magenta	25,000 hours ³	75 rpm	52-LM		
	52R-G5-20WH	24V AC	0.80 A	Red	75 rpm	52-LR			
	52A-N5-40WH	120V AC	0.35 A	Amber	40 watts	75 rpm	52-LA		50LMP-40WH
	52B-N5-40WH	120V AC	0.35 A	Blue		75 rpm	52-LB		
	52C-N5-40WH	120V AC	0.35 A	Clear	265 lumens ²	75 rpm	52-LC		
	52G-N5-40WH	120V AC	0.35 A	Green	3328 cp	75 rpm	52-LG		
52M-N5-40WH	120V AC	0.35 A	Magenta	25,000 hours ³	75 rpm	52-LM			
52R-N5-40WH	120V AC	0.35 A	Red	75 rpm	52-LR				
Incandescent AC	52A-R5	240V AC	0.10 A	Amber	25 watts	75 rpm	52-LA	P-041917-0039 or Industry Trade No. 25T8/240V/DC/CL ⁵	
	52B-R5	240V AC	0.10 A	Blue		75 rpm	52-LB		
	52C-R5	240V AC	0.10 A	Clear	232 lumens ²	75 rpm	52-LC		
	52G-R5	240V AC	0.10 A	Green	2914 cp	75 rpm	52-LG		
	52M-R5	240V AC	0.10 A	Magenta	120 hours ³	75 rpm	52-LM		
Incandescent DC	52R-R5	240V AC	0.10 A	Red	75 rpm	52-LR			
	53A-E1	12V DC	1.8 A	Amber	25 watts	75 rpm	52-LA	Industry Trade No. 1076 ⁵	
	53B-E1	12V DC	1.8 A	Blue		402 lumens ²	75 rpm		52-LB
	53C-E1	12V DC	1.8 A	Clear	5049 cp	75 rpm	52-LC		
	53G-E1	12V DC	1.8 A	Green	200 hours ³	75 rpm	52-LG		
53R-E1	12V DC	1.8 A	Red	75 rpm	52-LR				

¹AC voltage frequency is 50/60 Hz

²Bulb manufacturer's lumen rating

³Projected lamp life based on manufacturer's calculated lamp life at 65 rpm and 50% duty cycle.

⁴Incandescent lamp

⁵User supplied



Beacons

Rotating Halogen or Incandescent

52, 53 and 53D Series

Ordering Information		Continued						
Description	Cat. No.	Operating Voltage	Current	Lens Colors	Lamp Ratings	Revolution Rate	Replacement	
							Lens	Lamp
Incandescent DC (continued)	53A-G1	24V DC	1.0 A	Amber	25 watts 402 lumens ¹ 5049 cp 500 hours ²	75 rpm	52-LA	Industry Trade No. 1638 ³
	53B-G1	24V DC	1.0 A	Blue		75 rpm	52-LB	
	53C-G1	24V DC	1.0 A	Clear		75 rpm	52-LC	
	53G-G1	24V DC	1.0 A	Green		75 rpm	52-LG	
	53R-G1	24V DC	1.0 A	Red		75 rpm	52-LR	
Incandescent Diode Polarized DC	53DA-GW	24 - 28V DC	1.0 A	Amber	25 watts 402 lumens ¹ 5049 cp 500 hours ²	75 rpm	52-LA	Industry Trade No. 1638 ³
	53DB-GW	24 - 28V DC	1.0 A	Blue		75 rpm	52-LB	
	53DC-GW	24 - 28V DC	1.0 A	Clear		75 rpm	52-LC	
	53DG-GW	24 - 28V DC	1.0 A	Green		75 rpm	52-GC	
	53DR-GW	24 - 28V DC	1.0 A	Red		75 rpm	52-LR	

¹Bulb manufacturer's lumen rating

²Projected lamp life based on manufacturer's calculated lamp life at 65 rpm and 50% duty cycle.

³User supplied

Accessories	
Description	Cat. No.
Corner Mount Bracket	CBR
Wall Mount Bracket	WBR



CBR
Corner Mount Bracket



WBR
Wall Mount Bracket

Weights and Dimensions		
Cat. No.	Approx. Net Weight (lb.)	Approx. Shipping Weight (lb.)
52*-G5-20WH	1.88	2.21
52*-N5-40WH	2.40	2.80
52*-R5	1.88	2.21
53†-E1	1.62	1.96
53†-G1	1.62	1.96
53D†-GW	1.62	1.96
CBR	4.00	4.20
WBR	2.30	2.50

*Letter in this position designates lens color: A - amber, B - blue, C - clear, G - green, M - magenta or R - red

†Letter in this position designates lens color: A - amber, B - blue, C - clear, G - green or R - red

